



# TAI-SAW TECHNOLOGY CO., LTD.

No. 3, Industrial 2nd Rd., Ping-Chen Industrial District,  
Taoyuan, 324, Taiwan, R.O.C.

TEL: 886-3-4690038 FAX: 886-3-4697532

E-mail: [tstsales@mail.taisaw.com](mailto:tstsales@mail.taisaw.com) Web: [www.taisaw.com](http://www.taisaw.com)

## Approval Sheet For Product Specification

Issued Date: 2004/07/30

Product Name: SAW Filter 171MHz

TST Parts No.:TA0181A

Customer Parts No.:\_\_\_\_\_

Company:_____
Division:_____
Approved by :_____
Date:_____

Checked by:\_\_\_\_\_ Asin Lin

Approval by:\_\_\_\_\_ Francis Chen

Date:\_\_\_\_\_ 2004/07/30



# TAI-SAW TECHNOLOGY CO., LTD.

No. 3, Industrial 2nd Rd., Ping-Chen Industrial District,  
Taoyuan, 324, Taiwan, R.O.C.

TEL: 886-3-4690038 FAX: 886-3-4697532

E-mail: [tstsales@mail.taisaw.com](mailto:tstsales@mail.taisaw.com) Web: [www.taisaw.com](http://www.taisaw.com)

## SAW Filter 171 MHz

MODEL NO.: TA0181A

REV. NO.:3

### A. MAXIMUM RATING:

1. Input Power Level: 0 dB<sub>m</sub>
2. DC voltage: 10 V
3. Operating Temperature: -10°C to +50°C
4. Storage Temperature: -40°C to +85°C

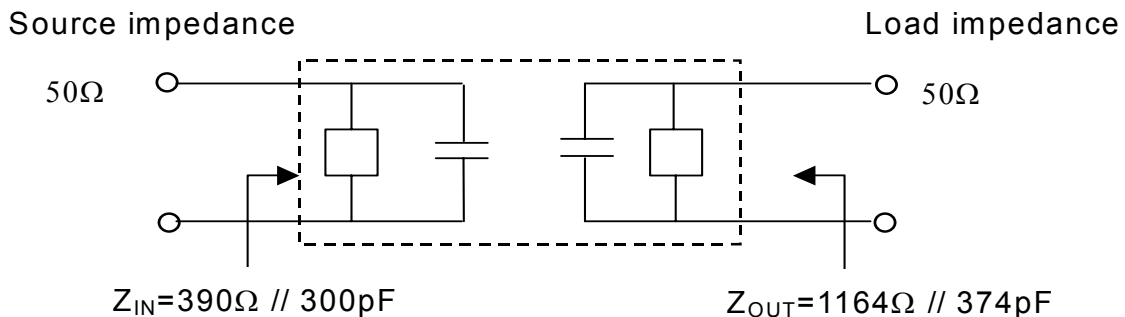
RoHS Compliant  
Lead free  
Lead-free soldering

### B. ELECTRICAL CHARACTERISTICS:

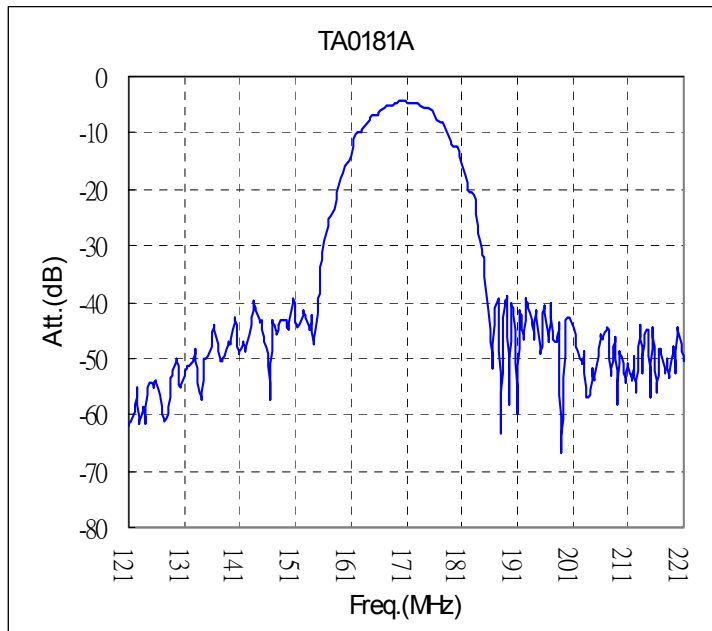
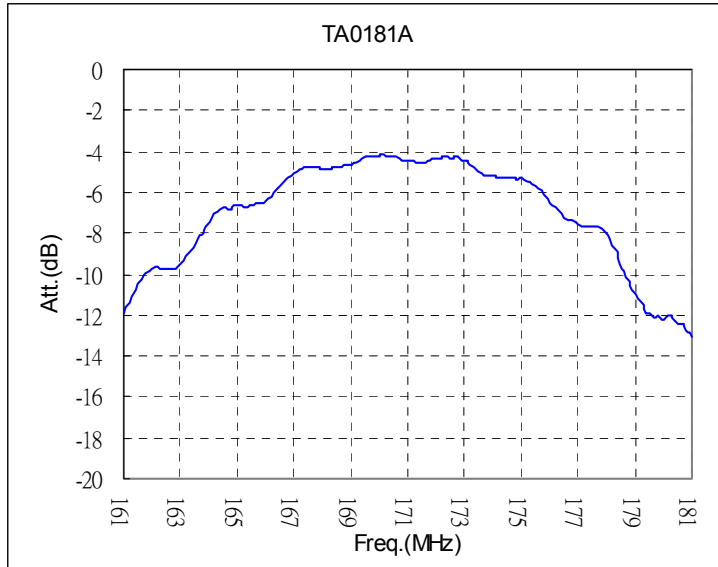
Characteristics	Specification	Note
Center frequency $F_c$ (MHz)	171	1
I.L. (Within $F_c \pm 4$ MHz)	6.5 Max.	
Amplitude Ripple, <b>A.R.</b> (Within $F_c \pm 4$ MHz) (dB)	2.1 Max.	
Attenuation:( Reference level from 0 dB) (dB )		
$F_c - 100$ MHz to -38.8MHz (dB )	50 Min.	1
$F_c + 38.8$ MHz to + 100MHz (dB )	42 Min.	
Impedance at $F_c$ ; Input $Z_{IN} = R_{IN} // C_{IN}$	390 $\Omega$ // 300 pF	2
Output $Z_{OUT} = R_{OUT} // C_{OUT}$	1164 $\Omega$ // 374 pF	2

Note1. The standard definitions is in JIS C 6703

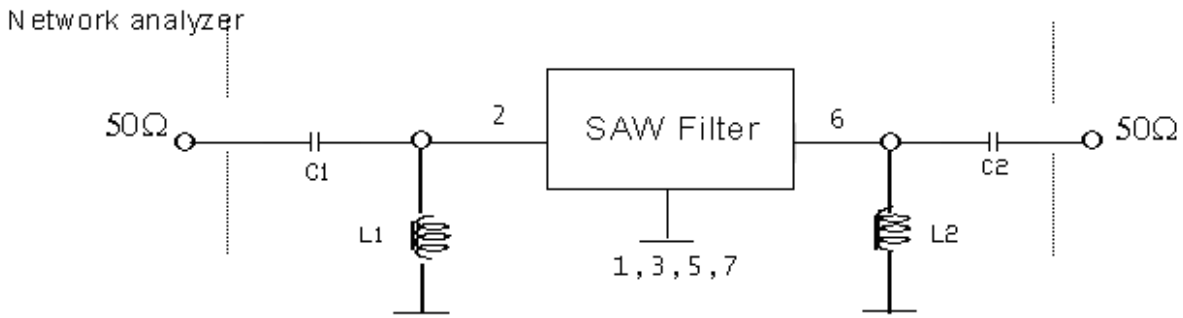
Note2.



### C. Frequency Characteristics :

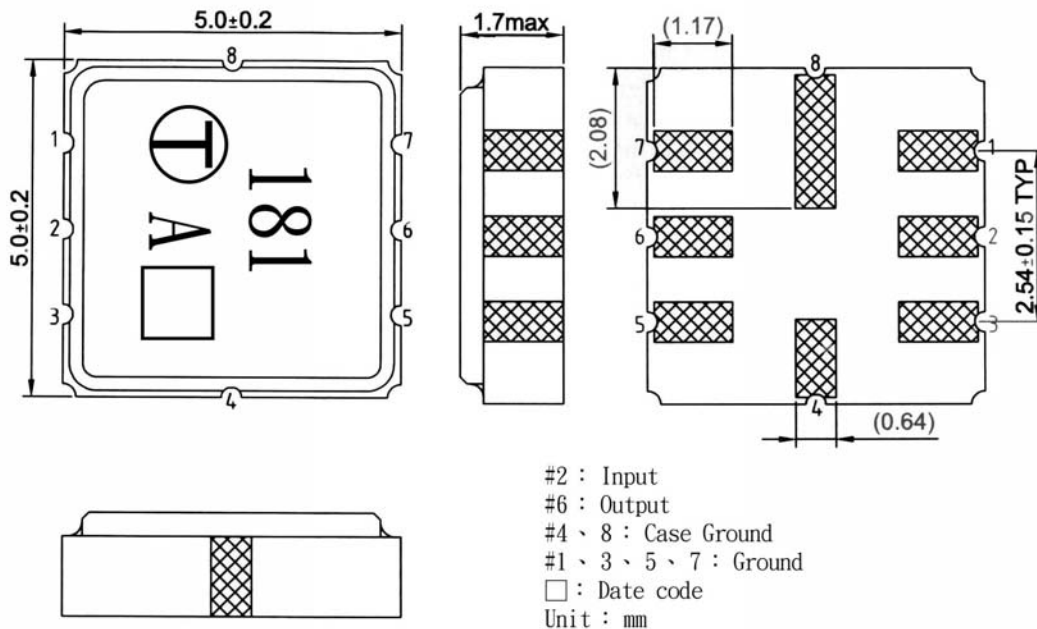


### D. MEASUREMENT CIRCUIT:



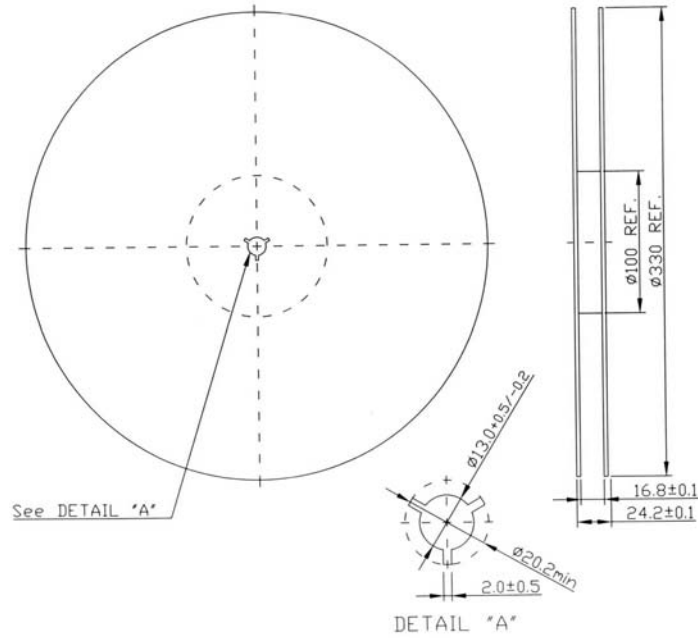
$C1 = 10 \text{ pF}$      $L1 = 37 \text{ nH}$   
 $C2 = 8 \text{ pF}$      $L2 = 40 \text{ nH}$

### E. OUTLINE DRAWING:



## F. PACKING:

### 1. REEL DIMENSION



### 2. TAPE DIMENSION

