



TAI-SAW TECHNOLOGY CO., LTD.

No. 3, Industrial 2nd Rd., Ping-Chen Industrial District,
Taoyuan, 324, Taiwan, R.O.C.

TEL: 886-3-4690038 FAX: 886-3-4697532

E-mail: tstsales@mail.taisaw.com Web: www.taisaw.com

Approval Sheet For Product Specification

Issued Date: March, 24, 2005

Product Name: SAW Filter 940.5 MHz SMD 2.5X2.0 mm

TST Parts No.: TA0434A

Customer Parts No.: _____

Company: _____

Division: _____

Approved by : _____

Date: _____

Checked by: _____ Bob Chau

Approval by: _____ Francis Chen

Date: _____ 3,24,2005



TAI-SAW TECHNOLOGY CO., LTD.

No. 3, Industrial 2nd Rd., Ping-Chen Industrial District,
Taoyuan, 324, Taiwan, R.O.C.

TEL: 886-3-4690038 FAX: 886-3-4697532

E-mail: tstsales@mail.taisaw.com Web: www.taisaw.com

SAW Filter 940.5 MHz

MODEL NO.: TA0434A

REV. NO.:1

A. MAXIMUM RATING:

1. Operating Temperature: -10°C ~ +75°C
2. Storage Temperature: -40°C ~ +85°C

RoHS Compliant
Lead free
Lead-free soldering

B. ELECTRICAL CHARACTERISTICS :

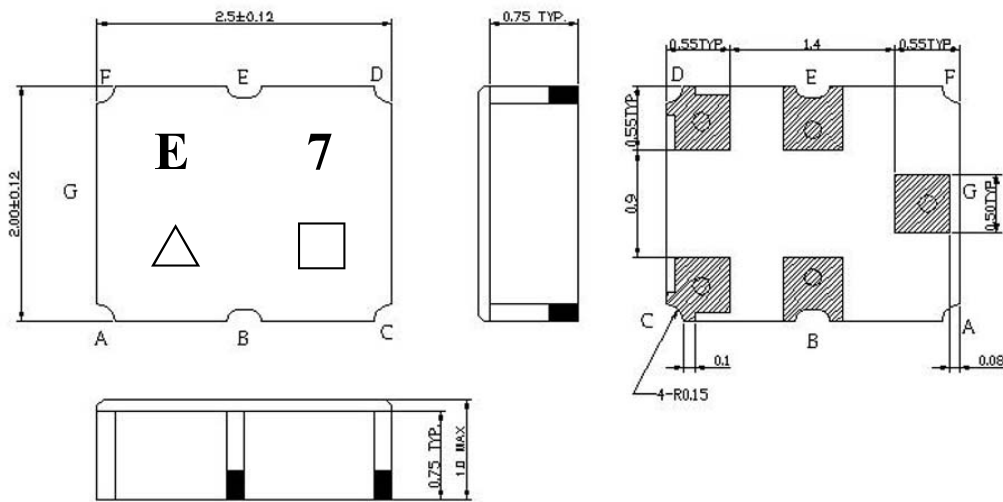
Singled to Balanced operation

Terminating source impedance : $Z_s = 50 \Omega$

Terminating load impedance : $Z_L = 150 \Omega // 50 \text{ nH}$

Item	Value			Note
	Min.	Typ.	Max.	
Center frequency F_c MHz	-	940.5	-	-
Insertion loss (921~960 MHz) I.L. (dB)	-	2.7	4.3	-
Ripple (921~960 MHz) (dB)	-	1.0	2.4	-
Input VSWR (921~960 MHz)	-	1.8	2.5	-
Output VSWR (921~960 MHz)	-	1.8	2.5	-
Attenuation: (Reference level from 0 dB)				
0 ~ 880 MHz (dB)	50	55	-	-
880 ~ 900 MHz (dB)	28	44	-	-
900 ~ 910 MHz (dB)	16	35	-	-
980 ~ 1000 MHz (dB)	20	29	-	-
1000 ~ 1050 MHz (dB)	28	34	-	-
1050 ~ 3000 MHz (dB)	50	59	-	-
3000 ~ 4500 MHz (dB)	40	48	-	-
4500 ~ 5700 MHz (dB)	30	42	-	-
Symmetry in band (referenced to the matched operating condition)				
Output amplitude balance ($ S_{31}/S_{21} $) (921~960 MHz) (dB)	-1.8	0	1.8	-
Output phase balance ($\Phi(S_{31})-\Phi(S_{21})+180^\circ$) (921~960 MHz) degree	-12	0	12	-

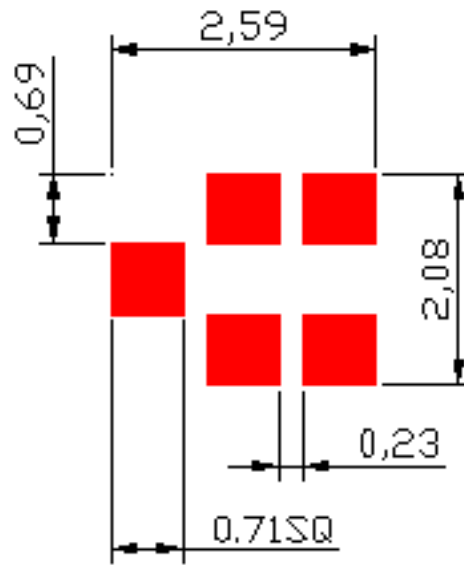
C. OUTLINE DRAWING:



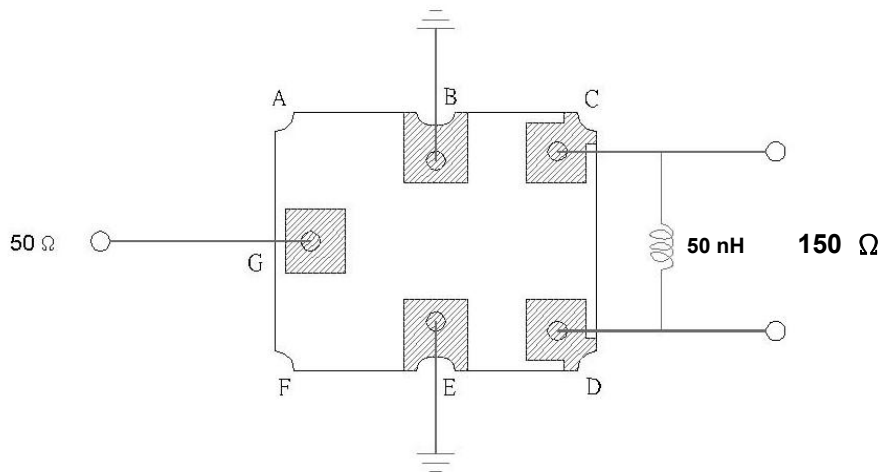
Pin configuration

- G : Unbalance input
- C,D : Balance output
- B,E : Ground
- \triangle : Year code
- \square : Date code
- Unit : mm

D. PCB Footprint:

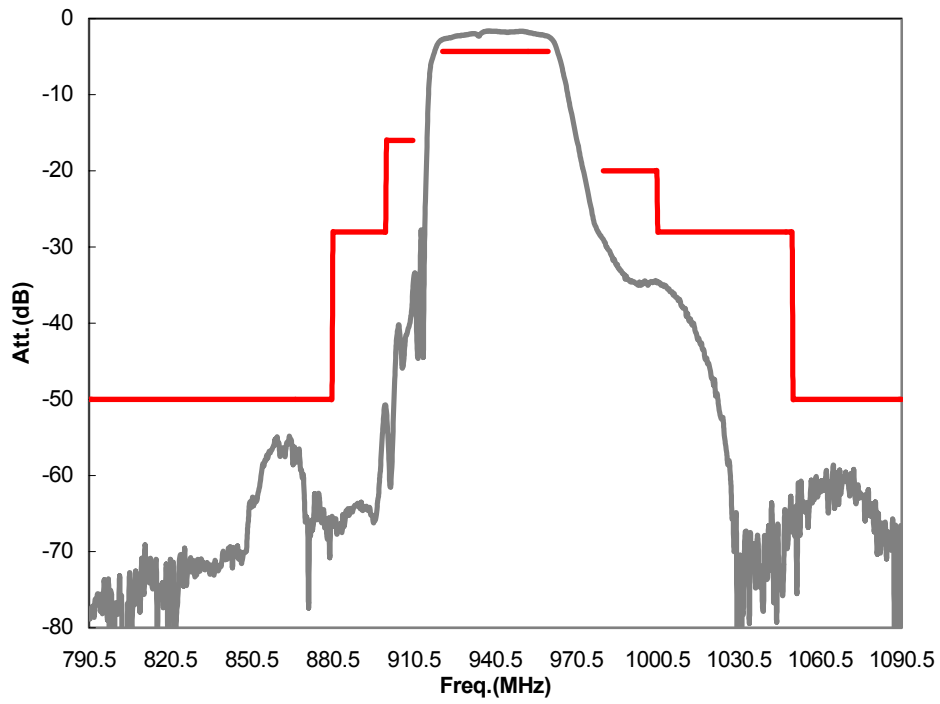


E. MEASUREMENT CIRCUIT:

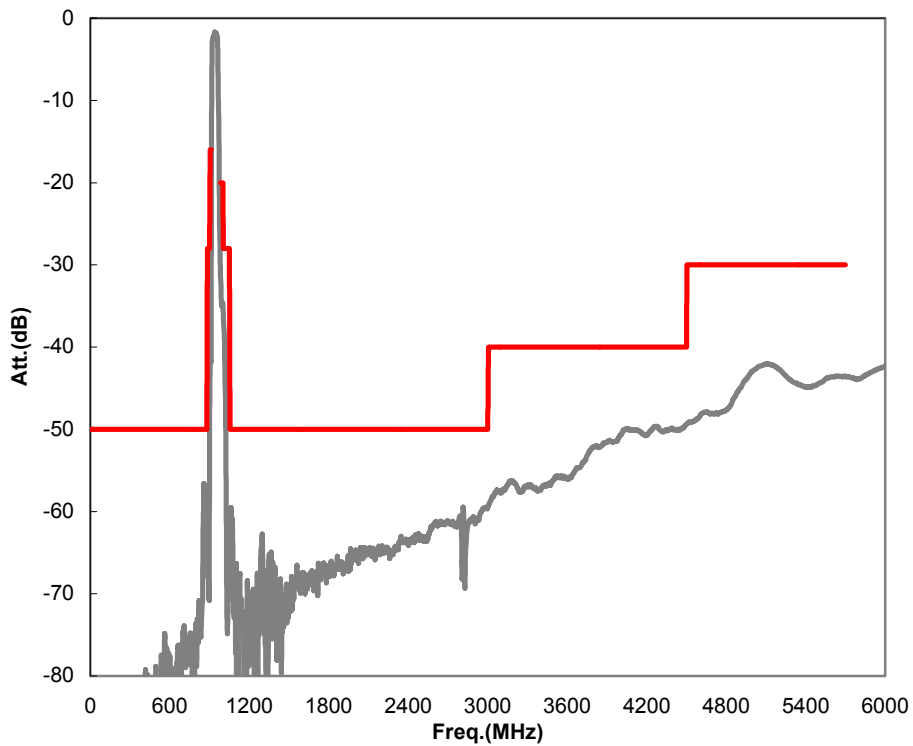


F. FREQUENCY CHARACTERISTICS:

1. Transfer function (25 °C)

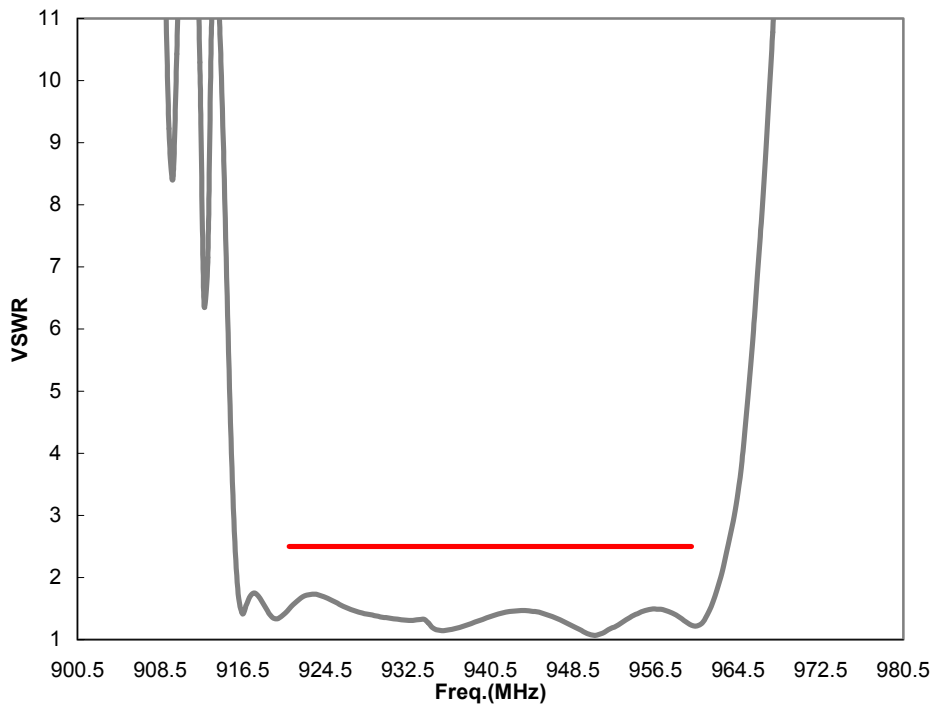


(wideband)

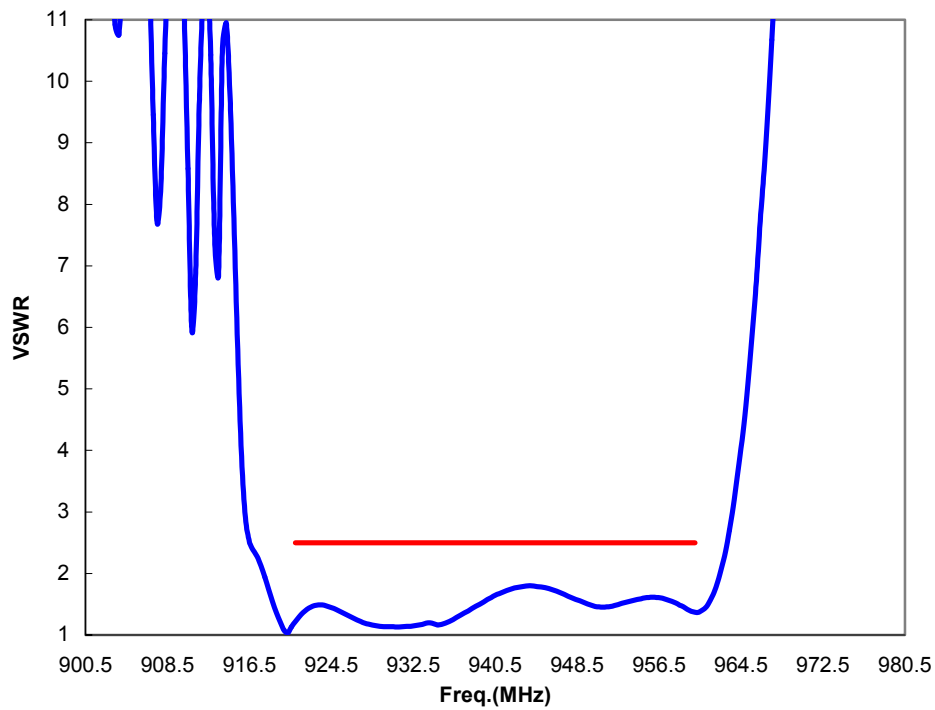


2. VSWR (25 °C)

Unbalance Input

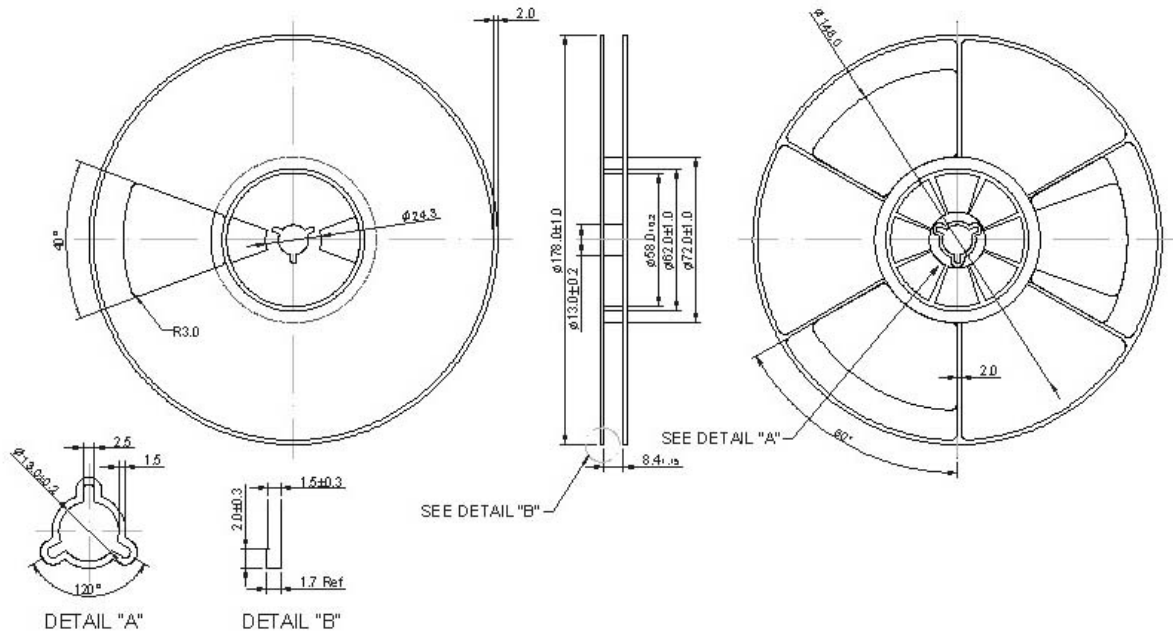


Balance Output



G. PACKING:

1. REEL DIMENSION



2. TAPE DIMENSION

