



TAI-SAW TECHNOLOGY CO., LTD.

No. 3, Industrial 2nd Rd., Ping-Chen Industrial District,
Taoyuan, 324, Taiwan, R.O.C.

TEL: 886-3-4690038 FAX: 886-3-4697532

E-mail: tstsales@mail.taisaw.com Web: www.taisaw.com

Approval Sheet For Product Specification

Issued Date: April, 4, 2006

Product Name: SAW Filter 940.5 MHz SMD 3.0X3.0 mm

TST Parts No.: TA0546A

Customer Parts No.: _____

Company: _____
Division: _____
Approved by : _____
Date: _____

Checked by: _____ Bob Chau

Approval by: _____ Francis Chen

Date: _____ 4, 4, 2006



TAI-SAW TECHNOLOGY CO., LTD.

No. 3, Industrial 2nd Rd., Ping-Chen Industrial District,
Taoyuan, 324, Taiwan, R.O.C.

TEL: 886-3-4690038 FAX: 886-3-4697532

E-mail: tstsales@mail.taisaw.com Web: www.taisaw.com

SAW Filter 940.5MHz

MODEL NO.:TA0546A

REV. NO.:1

A. MAXIMUM RATING:

1. Input Power Level: 13 dBm
2. DC Voltage : 3V
3. Operating Temperature: -20°C to +85°C
4. Storage Temperature: -40°C to +85°C

RoHS Compliant
Lead free
Lead-free soldering

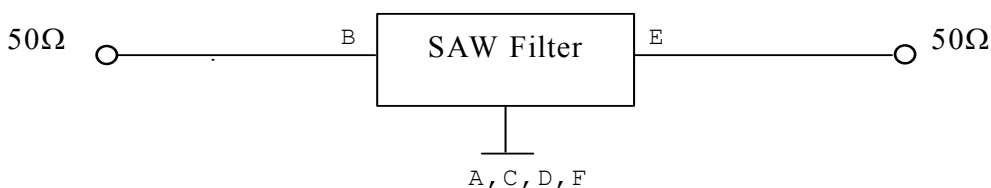
B. ELECTRICAL CHARACTERISTICS:

Characteristics			Specification			Note
			Min.	Typ.	Max.	
Center frequency	Fc	MHz	-	940.5	-	-
Insertion loss	921~960 MHz I.L.	dB	-	3	4.5	-
Ripple	921~960 MHz	dB	-	1.5	2.9	-
VSWR	921~960 MHz		-	1.8	3.0	
Attenuation: (Reference level from 0 dB)						
	0 ~ 800 MHz	dB	40	65	-	-
	800 ~ 878 MHz	dB	35	56	-	-
	878 ~ 897 MHz	dB	25	58	-	-
	982 ~ 1005 MHz	dB	22	30	-	-
	1005 ~ 1035 MHz	dB	29	41	-	-
	1035 ~ 1500 MHz	dB	38	52	-	-
	1500~ 2300 MHz	dB	30	51	-	-
	2300 ~ 3000 MHz	dB	20	35	-	-
Source Impedance	Z _s	Ω		50		1
Load Impedance	Z _L	Ω		50		1

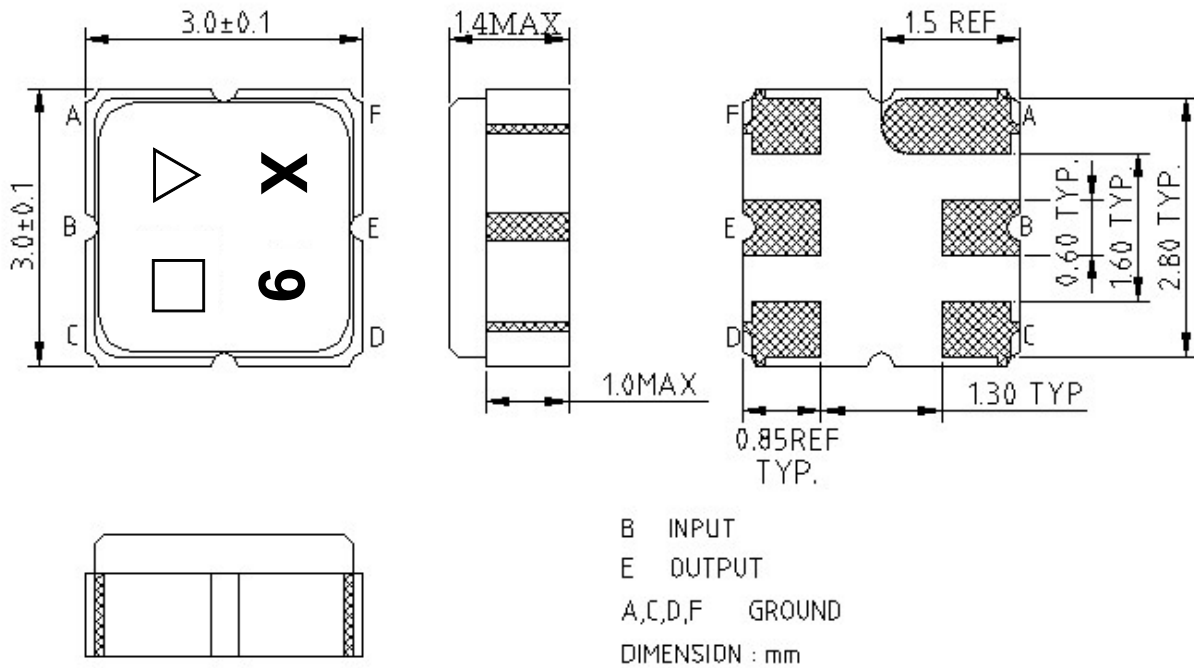
Note1. No matching network required for operation at 50 Ω

C. MEASUREMENT CIRCUIT:

HP Network analyzer

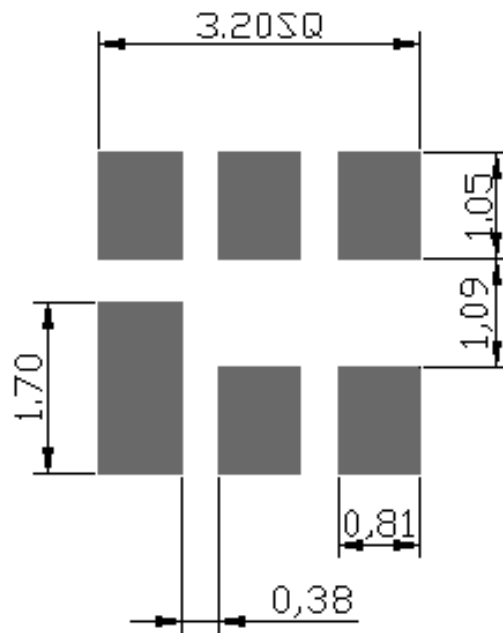


D.OUTLINE DRAWING:

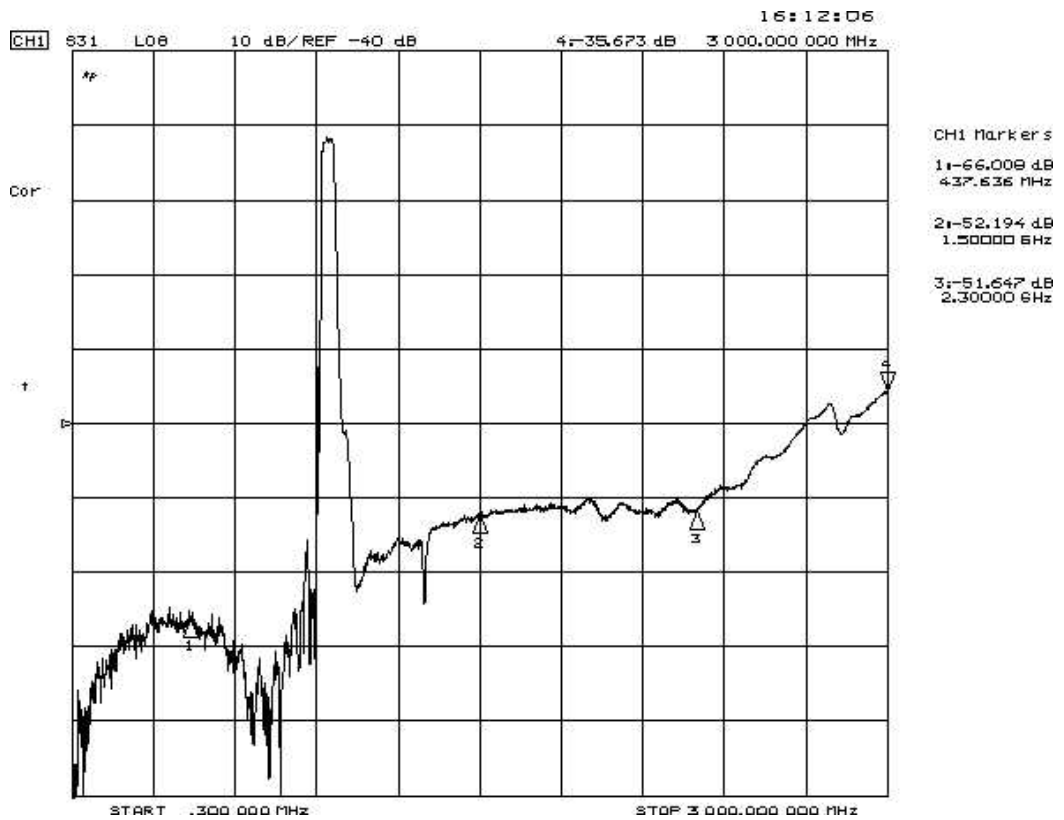
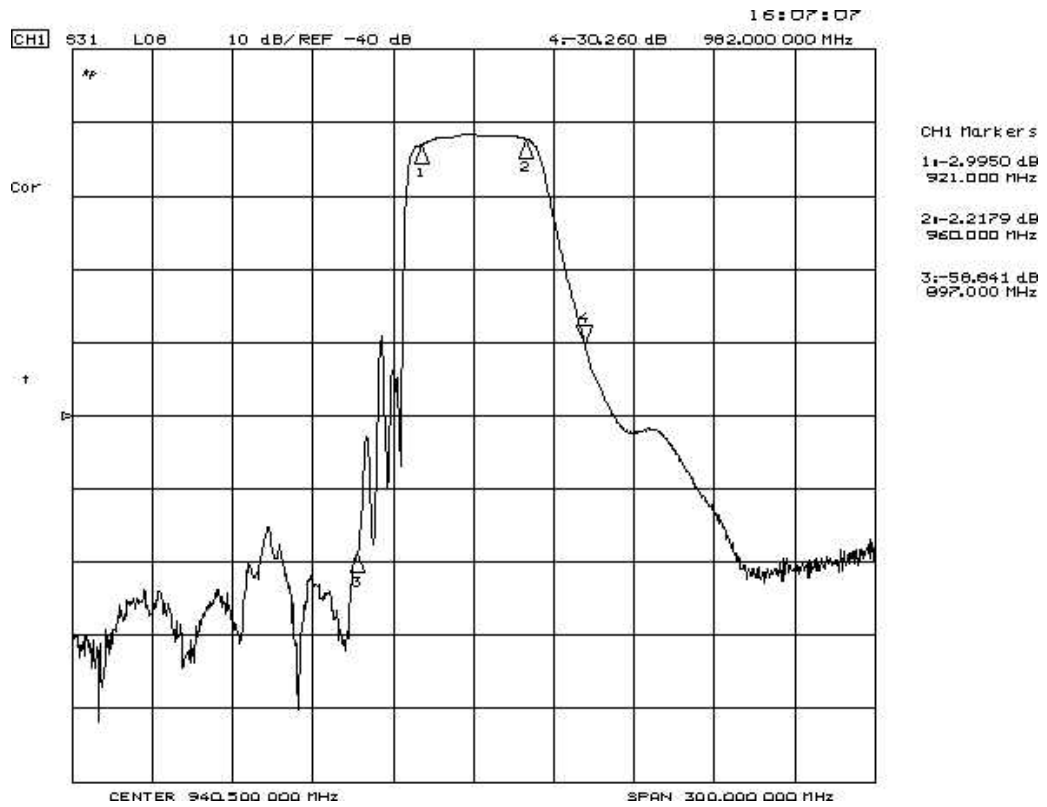


- △ : Year Code (2006->6, ..., 2009->9)
- : Date Code (Follow the table from planner each year)

E. PCB Footprint:

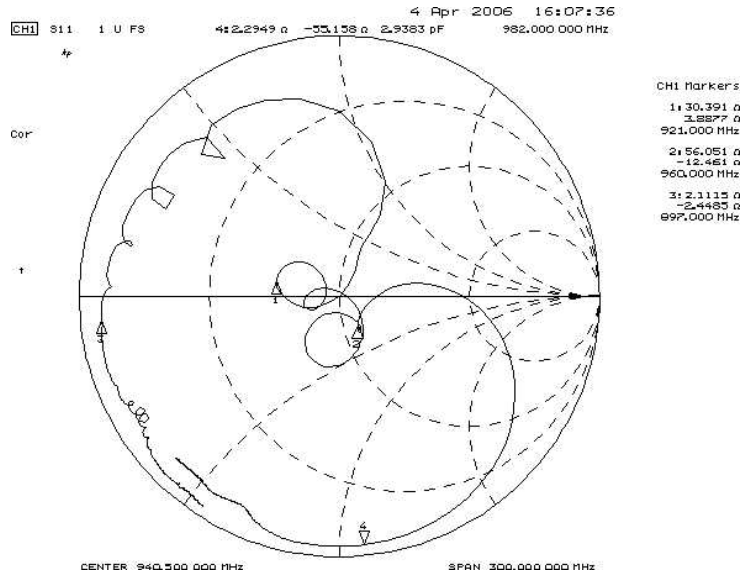
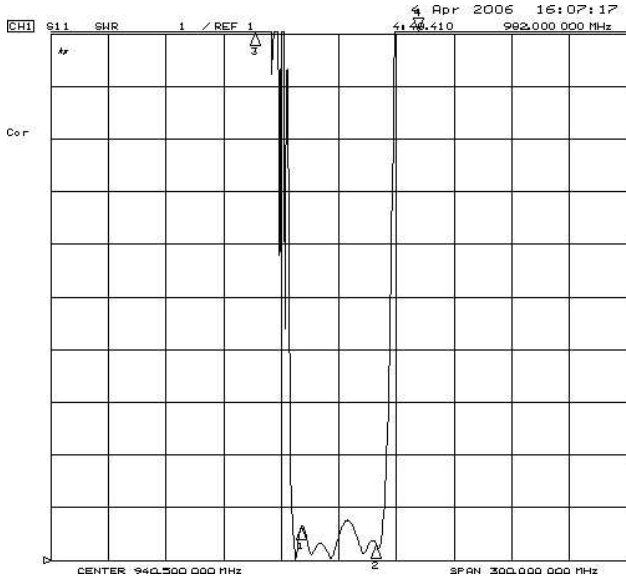


F. Frequency Characteristics :

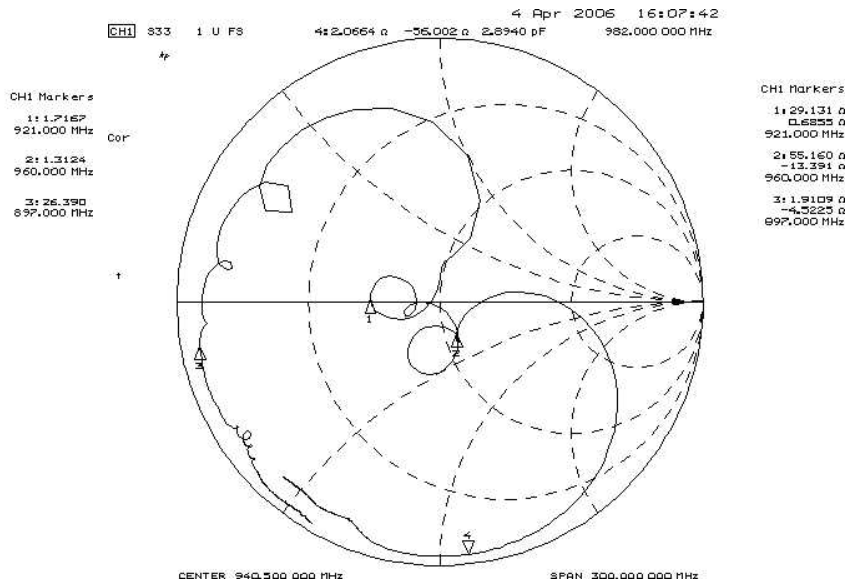
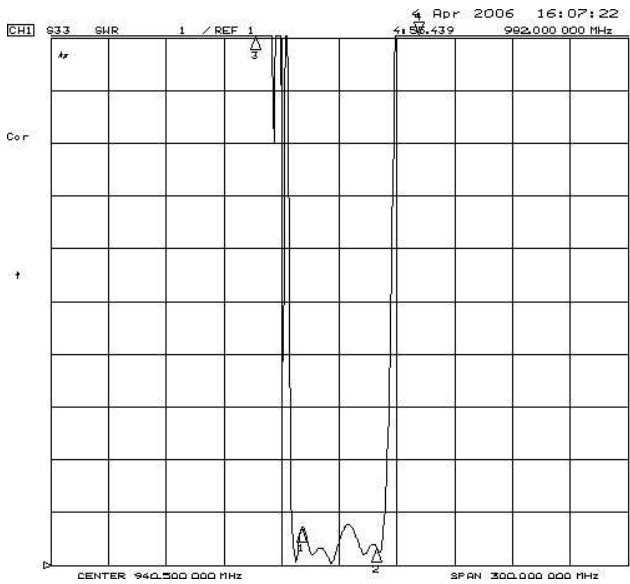


Reflections Functions :

S11 VSWR



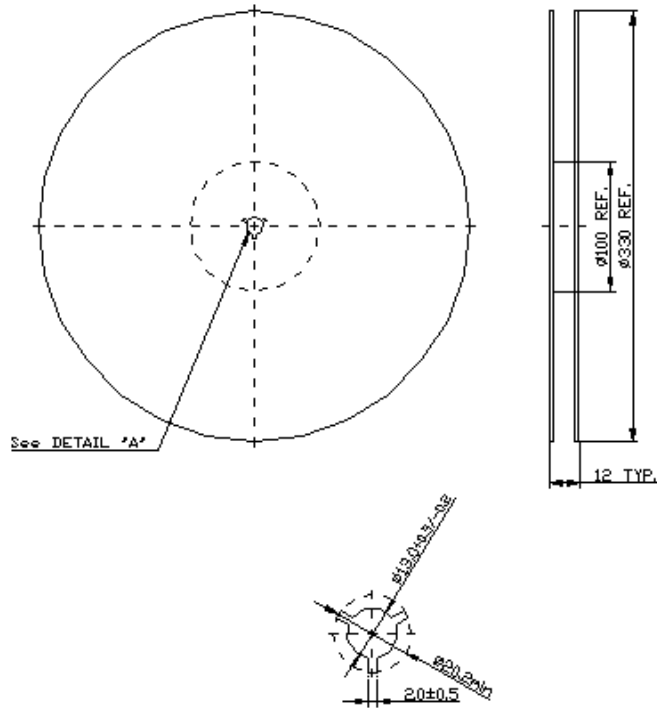
S22 VSWR



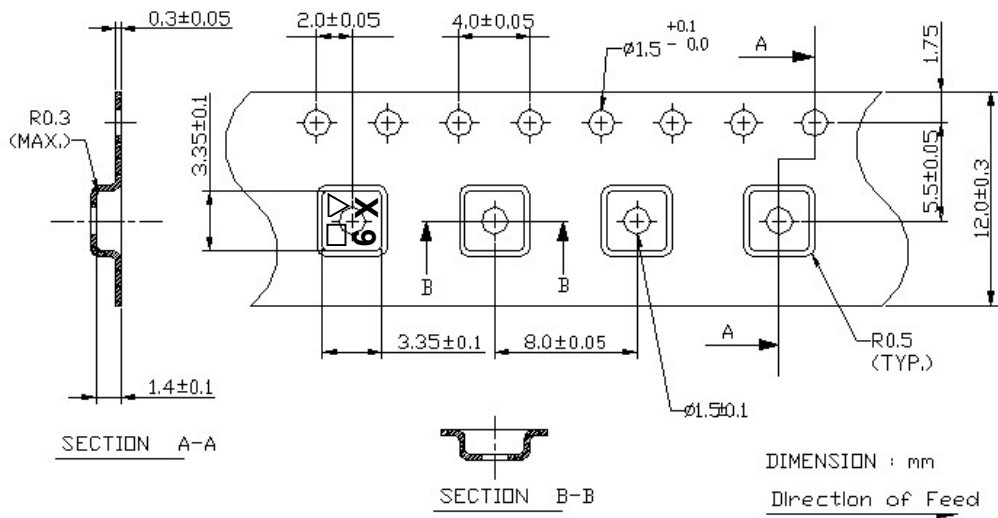
G. PACKING:

1. REEL DIMENSION

(Reel Count : 7"=1000 ; 13"=3000)



2. TAPE DIMENSION



H. RECOMMENDED REFLOW PROFILE :

