



# TAI-SAW TECHNOLOGY CO., LTD.

No. 3, Industrial 2nd Rd., Ping-Chen Industrial District,  
Taoyuan, 324, Taiwan, R.O.C.

TEL: 886-3-4690038 FAX: 886-3-4697532

E-mail: [tstsales@mail.taisaw.com](mailto:tstsales@mail.taisaw.com) Web: [www.taisaw.com](http://www.taisaw.com)

## Product Specifications Approval Sheet


Product Description: SAW Filter 219.5 MHz SMD 5.0x5.0 mm

TST Part No.: TA1319A

Customer Part No.: \_\_\_\_\_

Customer signature required
Company: _____
Division: _____
Approved by : _____
Date: _____

Checked by: \_\_\_\_\_ David Chang 張明智

Approved by: \_\_\_\_\_ Francis Chen 

Date: \_\_\_\_\_ 2011/02/24

1. Customer signed back is required before TST can proceed with sample build and receive orders.
2. Orders received without customer signed back will be regarded as agreement on the specifications.
3. Any specifications changes must be approved upon by both parties and a new revision of specifications shall be released to reflect the changes.



# TAI-SAW TECHNOLOGY CO., LTD.

No. 3, Industrial 2nd Rd., Ping-Chen Industrial District,  
Taoyuan, 324, Taiwan, R.O.C.

TEL: 886-3-4690038 FAX: 886-3-4697532

E-mail: [tstsales@mail.taisaw.com](mailto:tstsales@mail.taisaw.com) Web: [www.taisaw.com](http://www.taisaw.com)

## SAW Filter 219.5 MHz

MODEL NO.:TA1319A

REV. NO.:1

### A. MAXIMUM RATING:

1. Input Power Level: 15 dBm
2. DC Voltage : 5 V
3. Operating Temperature: -40°C to +85°C
4. Storage Temperature: -40°C to +85°C

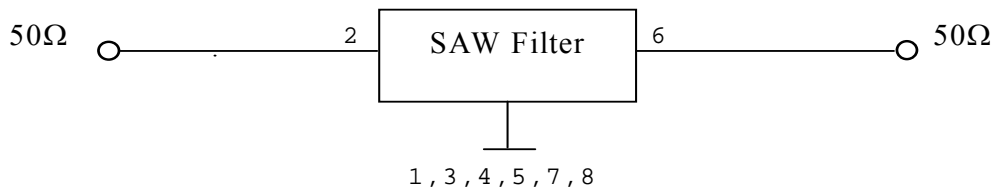
RoHS Compliant  
Lead free  
Lead-free soldering

### B. ELECTRICAL CHARACTERISTICS:

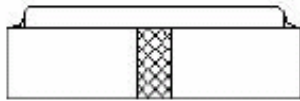
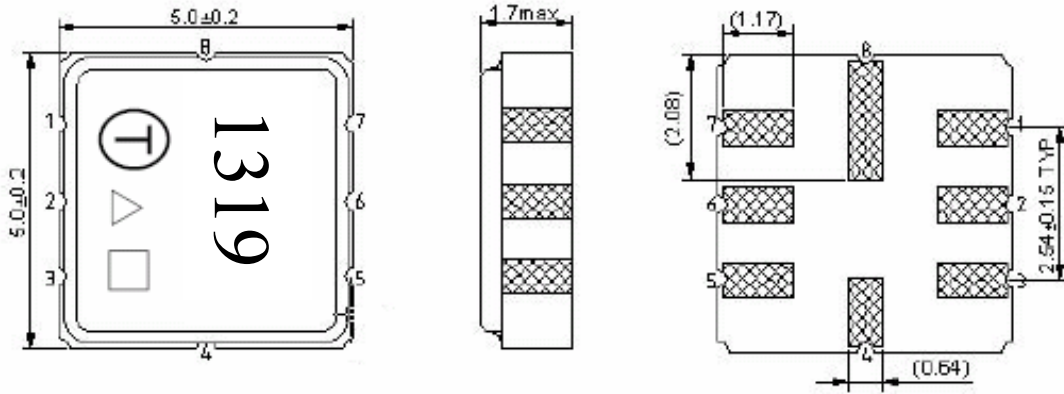
Item	Unit	Min.	Typ.	Max.
Center frequency <b>F<sub>c</sub></b>	MHz	-	219.5	-
Insertion Loss (217.6~222 MHz) <b>IL</b>	dB	-	2	3
Amplitude ripple (217.6~222 MHz)	dB	-	0.4	1.8
3 dB Bandwidth <b>BW<sub>-3dB</sub></b>	MHz	-	10	-
<b>Attenuation</b> (Reference level from 0)				
10 ~ F <sub>C</sub> - 35 MHz	dB	38	59	-
F <sub>C</sub> + 35 ~ 500 MHz	dB	38	56	-
Temperature Coefficient of Frequency	Ppm/°C	-	-80	-

### C. MEASUREMENT CIRCUIT:

HP Network analyzer



**D.OUTLINE DRAWING:**



#2: Input  
 #6: Output  
 #1,3,4,5,7,8: Ground  
 Unit: mm

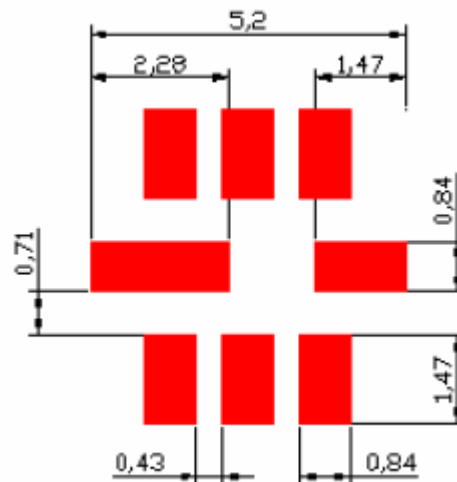
Data code : See the table

WK	01	02	...	26	27	28	...	52
Code	A	B	...	Z	a	b	...	z

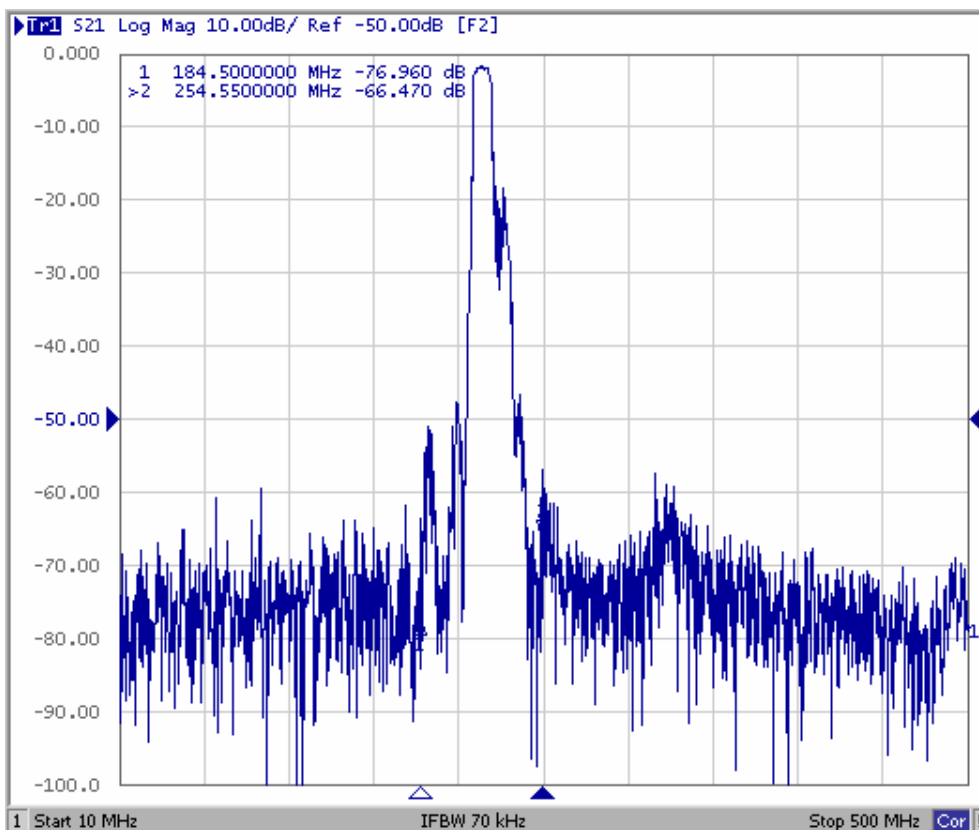
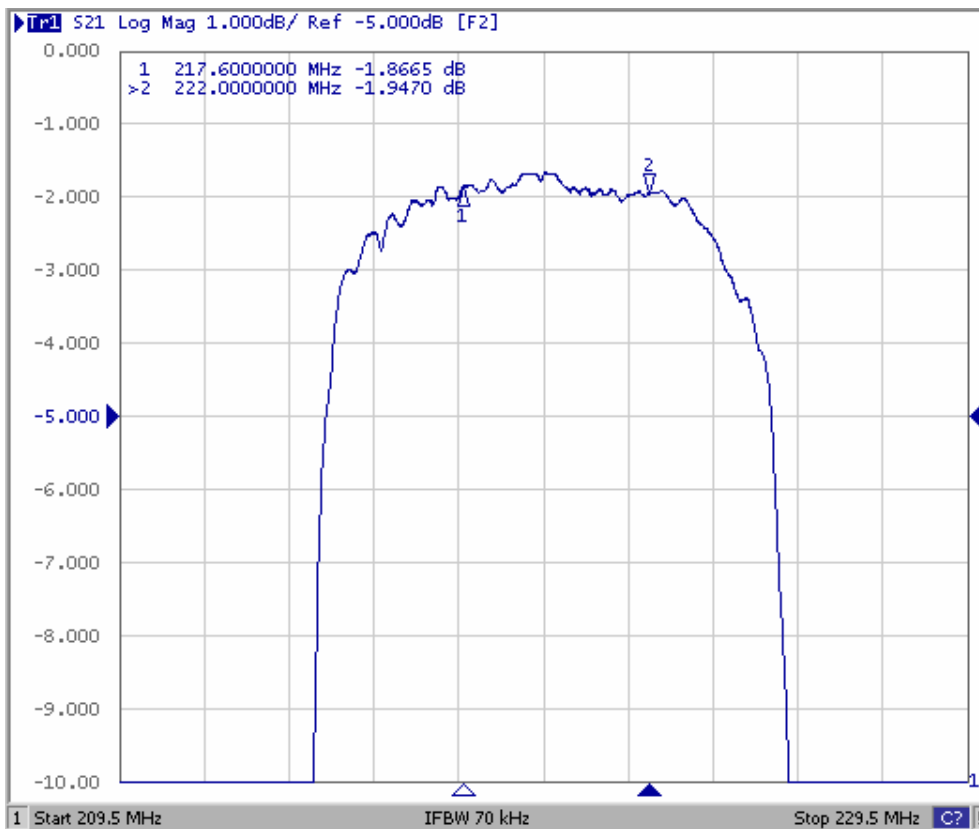
Year code : See the table

Year	2005	2006	2007	2008
	2009	2010	2011	2012
Code	A	a	A	a

**E. PCB Footprint:**

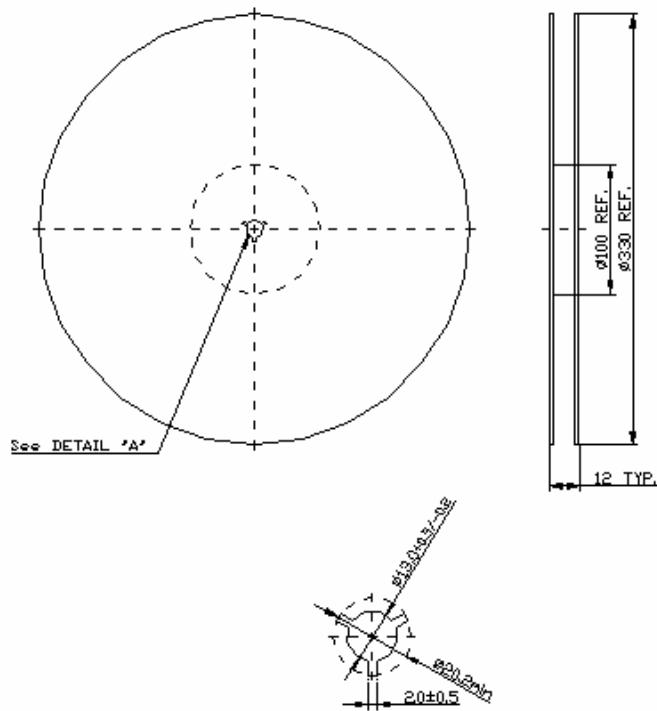


## F. Frequency Characteristics:

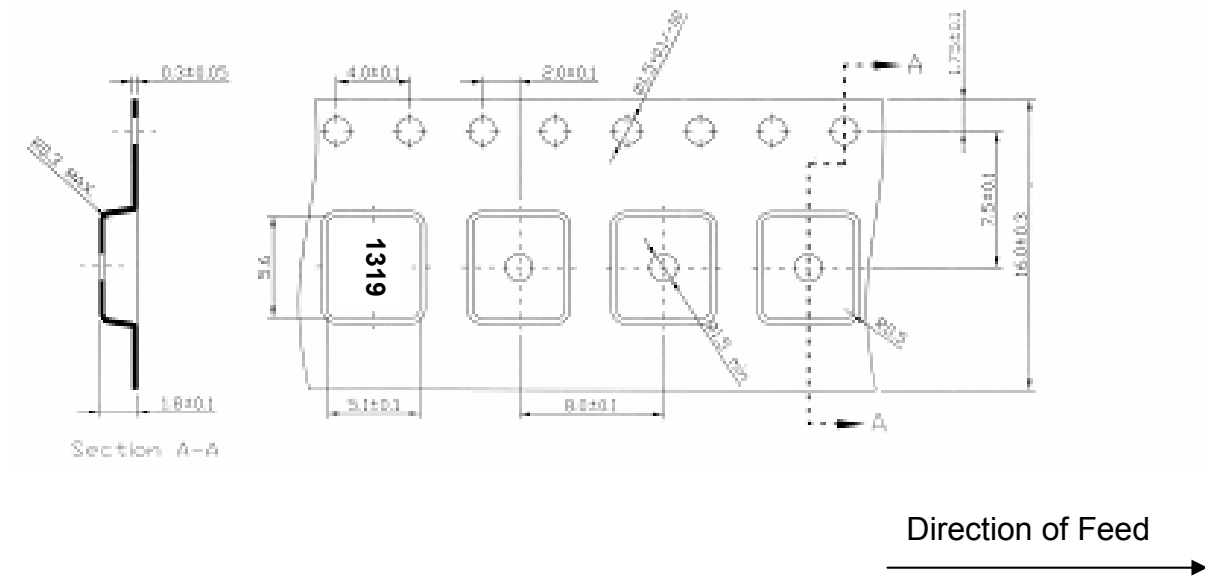


**G. PACKING:**

**1. REEL DIMENSION**



**2. TAPE DIMENSION**



**H. RECOMMENDED REFLOW PROFILE :**

