



TAI-SAW TECHNOLOGY CO., LTD.

No. 3, Industrial 2nd Rd., Ping-Chen Industrial District,
Taoyuan, 324, Taiwan, R.O.C.

TEL: 886-3-4690038 FAX: 886-3-4697532

E-mail: tstsales@mail.taisaw.com Web: www.taisaw.com

Product Specifications Approval Sheet

Product Name: SAW Rx Filter 942.5 MHz LTE Band 8 SMD 1.1x0.9mm (BW=35 MHz)

TST Parts No.: TA1743D

Customer Parts No.: _____

Customer signature required
Company: _____
Division: _____
Approved by : _____
Date: _____

Checked by: _____ Hayley Chou *Hayley Chou*

Approval by: _____ Andy Yu *Andy Yu*

Date: _____ 2019/01/16

1. Customer signed back is required before TST can proceed with sample build and receive orders.
2. Orders received without customer signed back will be regarded as agreement on the specifications.
3. Any specifications changes must be approved upon by both parties and a new revision of specifications shall be released to reflect the changes.



TAI-SAW TECHNOLOGY CO., LTD.

No. 3, Industrial 2nd Rd., Ping-Chen Industrial District,
Taoyuan, 324, Taiwan, R.O.C.

TEL: 886-3-4690038 FAX: 886-3-4697532

E-mail: tstsales@mail.taisaw.com Web: www.taisaw.com

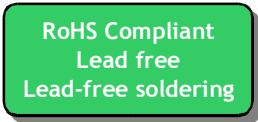
SAW Filter 942.5 MHz

MODEL NO.:TA1743D

REV.3.0

A. MAXIMUM RATING:

1. Maximum Input Power: 10 dBm
2. DC Voltage: 0V
3. Operating Temperature: -30 °C to +85 °C
4. Storage Temperature Range: -40 °C to +85 °C
5. Moisture Sensitive Level: Level 3 (MSL 3)
6. ESD: 100 V(MM), 200 V(HBM)



Electrostatic Sensitive Device (ESD)

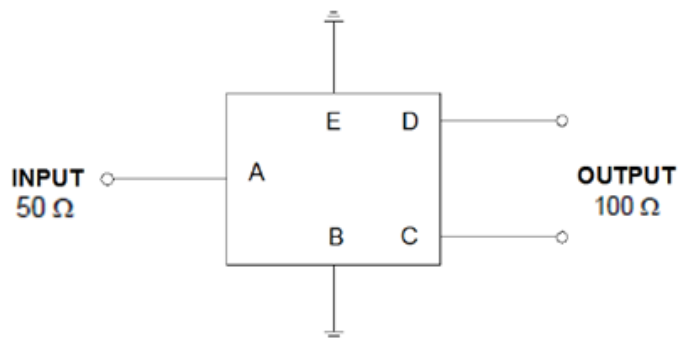
B. ELECTRICAL CHARACTERISTICS:

Terminating source impedance: $Z_s = 50 \Omega$ (Single)

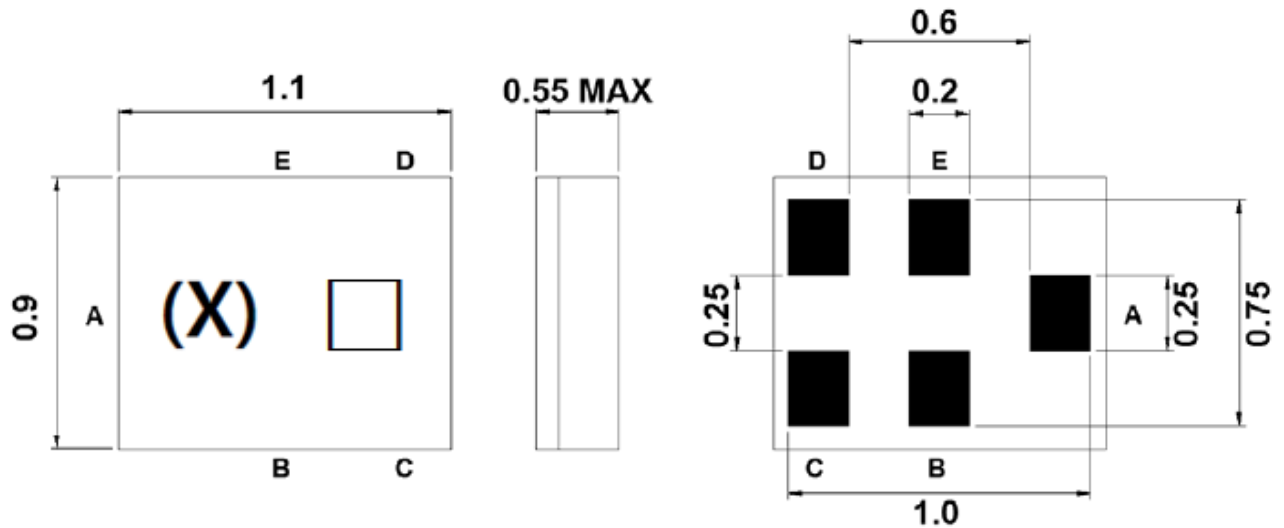
Terminating load impedance: $Z_L = 100 \Omega$ (Balance)

Item	Unit	Min.	Typ.	Max.
Center Frequency	MHz	-	942.5	-
Insertion Loss (925 ~ 960 MHz)	dB	-	1.9	3.0
Insertion Loss (927.4 ~ 957.6 MHz)	dB	-	2.0	2.6
Amplitude Ripple (925 ~ 960 MHz)	dB _{p-p}	-	0.8	1.8
VSWR (925 ~ 960 MHz)	-	-	1.8	2.1
Amplitude Balance (925 ~ 960 MHz)	dB	-1.2	-0.3/+0.4	+1.2
Phase Balance (925 ~ 960 MHz)	deg	-10	-1.5/+3.4	+10
Attenuation (Reference level from 0 dB)				
DC ~ 880 MHz	dB	50	65	-
880 ~ 915 MHz	dB	45	56	-
882.4 ~ 912.6 MHz	dB	50	56	-
980 ~ 1025 MHz	dB	23	32	-
1025 ~ 2880 MHz	dB	35	56	-
2880 ~ 6000 MHz	dB	30	44	-

C. MEASUREMENT CIRCUIT:



D. OUTLINE DRAWING:



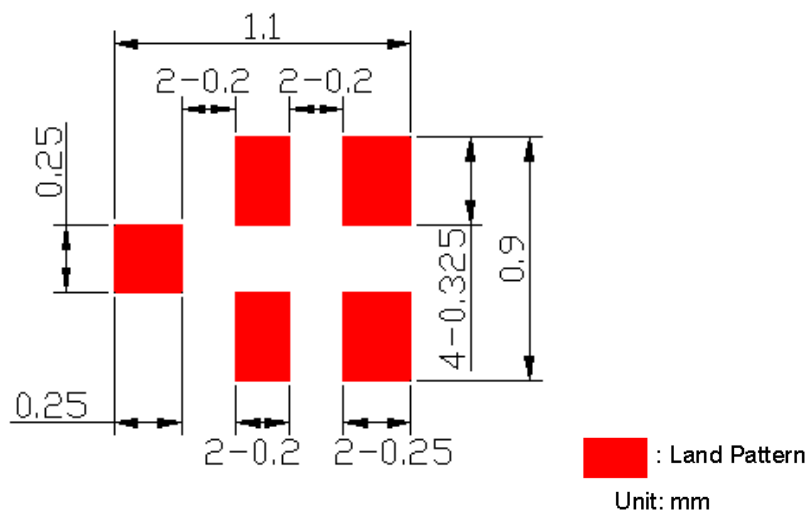
Marking Descriptions	
(X)	Series Number
	Date Code(Year+Month)

Pin Description	
B, E	Ground
A	Input
C, D	Balanced Output

Date Code(Year+Month)

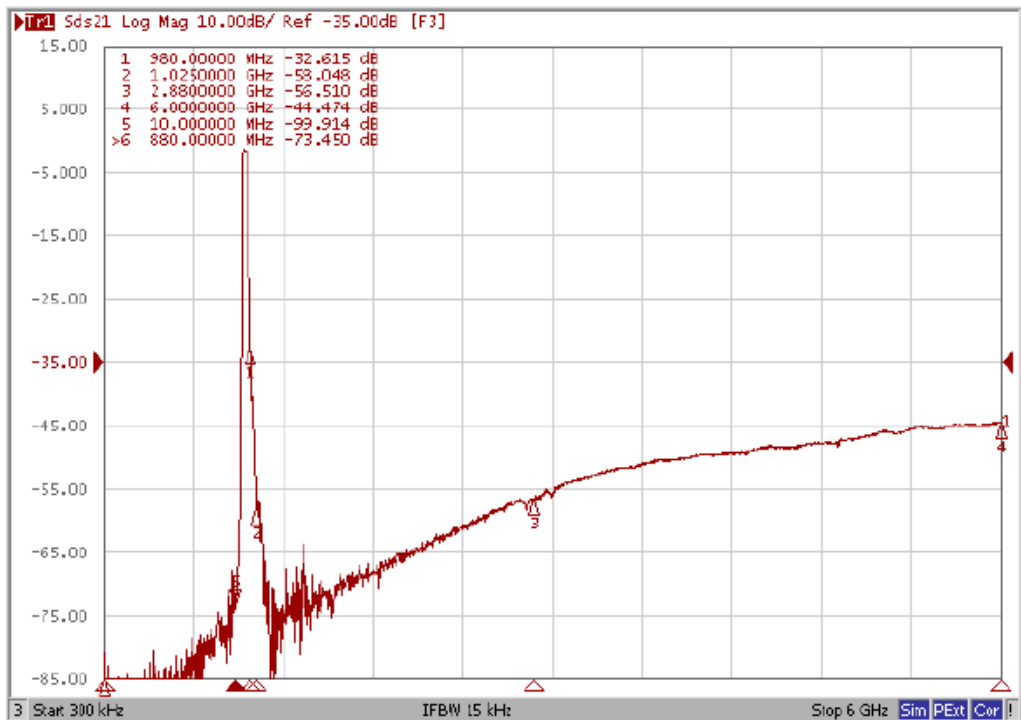
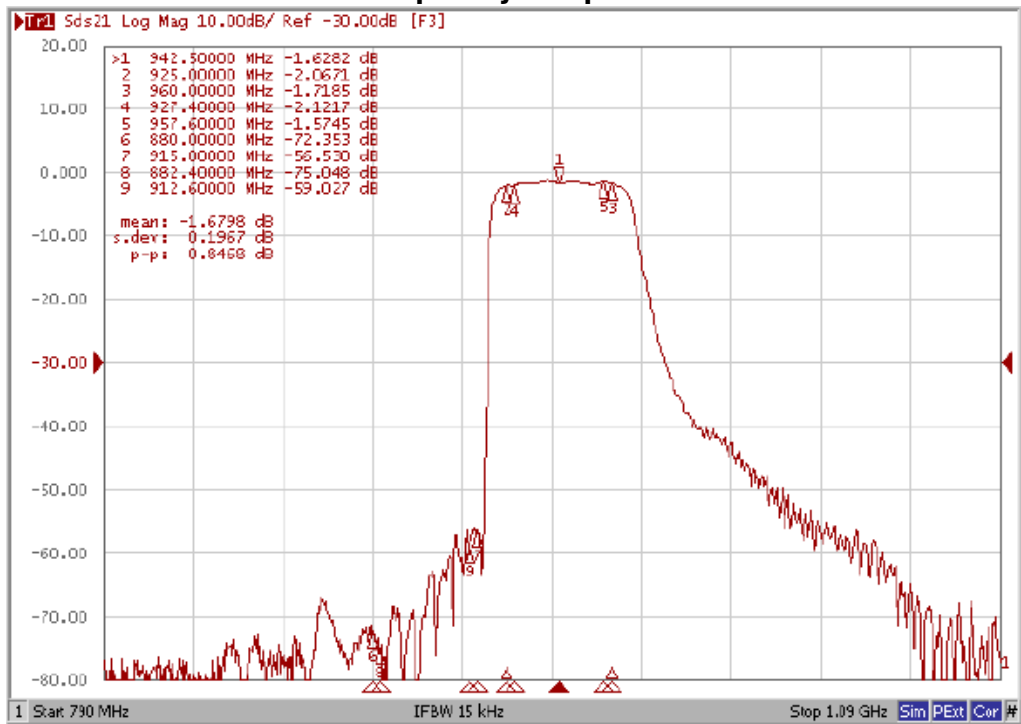
YEAR/Month	1	2	3	4	5	6	7	8	9	10	11	12
2013	A	B	C	D	E	F	G	H	J	K	L	M
2014	N	P	Q	R	S	T	U	V	W	X	Y	Z
2015	a	b	c	d	e	f	g	h	j	k	l	m
2016	n	p	q	r	s	t	u	v	w	x	y	z
2017	<u>A</u>	<u>B</u>	<u>C</u>	<u>D</u>	<u>E</u>	<u>F</u>	<u>G</u>	<u>H</u>	<u>J</u>	<u>K</u>	<u>L</u>	<u>M</u>
2018	<u>N</u>	<u>P</u>	<u>Q</u>	<u>R</u>	<u>S</u>	<u>T</u>	<u>U</u>	<u>V</u>	<u>W</u>	<u>X</u>	<u>Y</u>	<u>Z</u>
2019	<u>a</u>	<u>b</u>	<u>c</u>	<u>d</u>	<u>e</u>	<u>f</u>	<u>g</u>	<u>h</u>	<u>j</u>	<u>k</u>	<u>l</u>	<u>m</u>
2020	<u>n</u>	<u>p</u>	<u>q</u>	<u>r</u>	<u>s</u>	<u>t</u>	<u>u</u>	<u>v</u>	<u>w</u>	<u>x</u>	<u>y</u>	<u>z</u>

E. PCB Footprint:

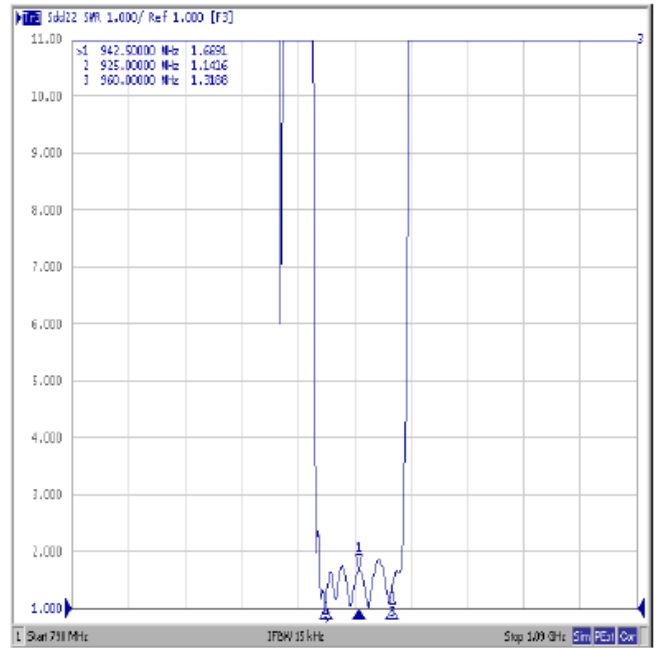
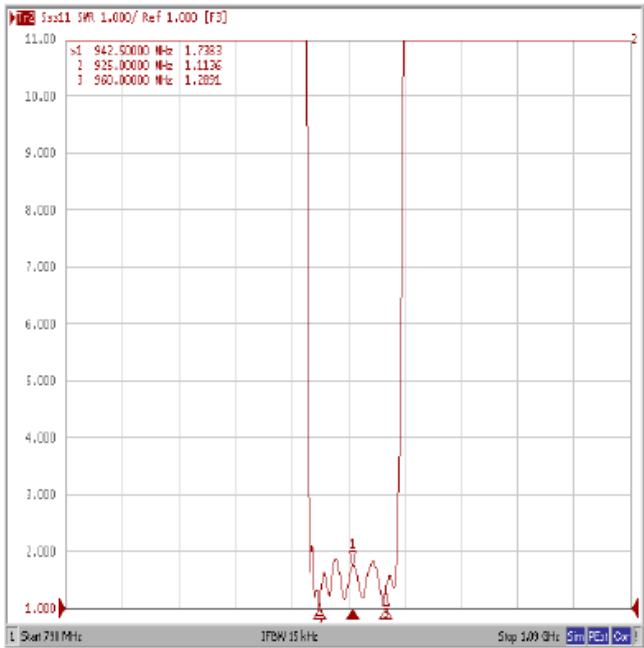


F. EFREQUENCY CHARACTERISTICS:

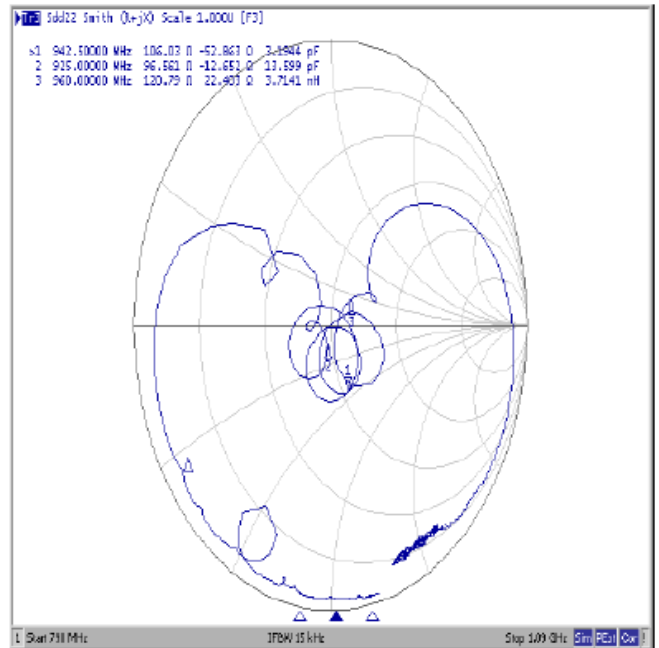
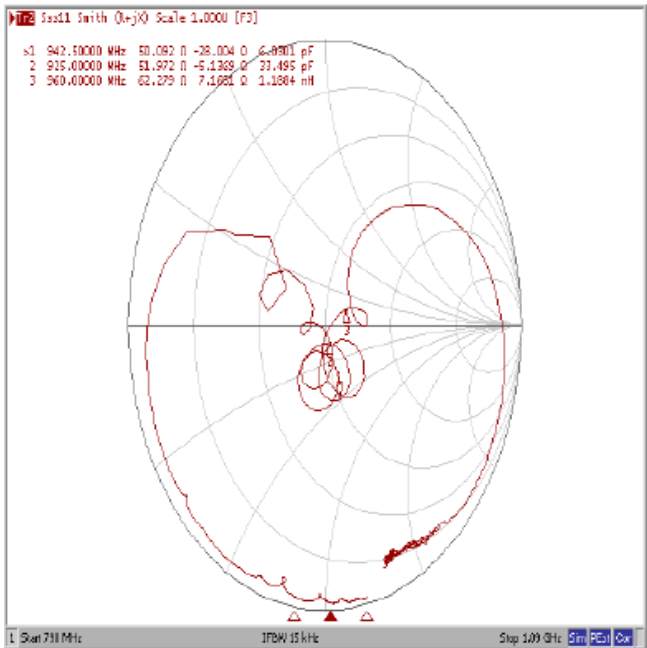
Frequency Response



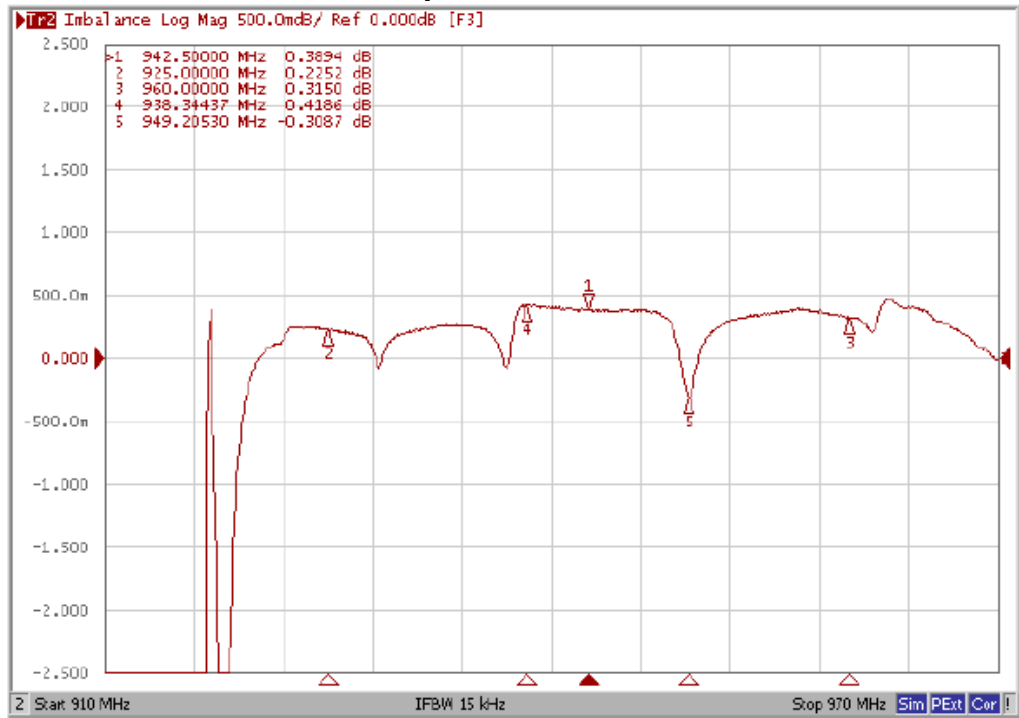
VSWR



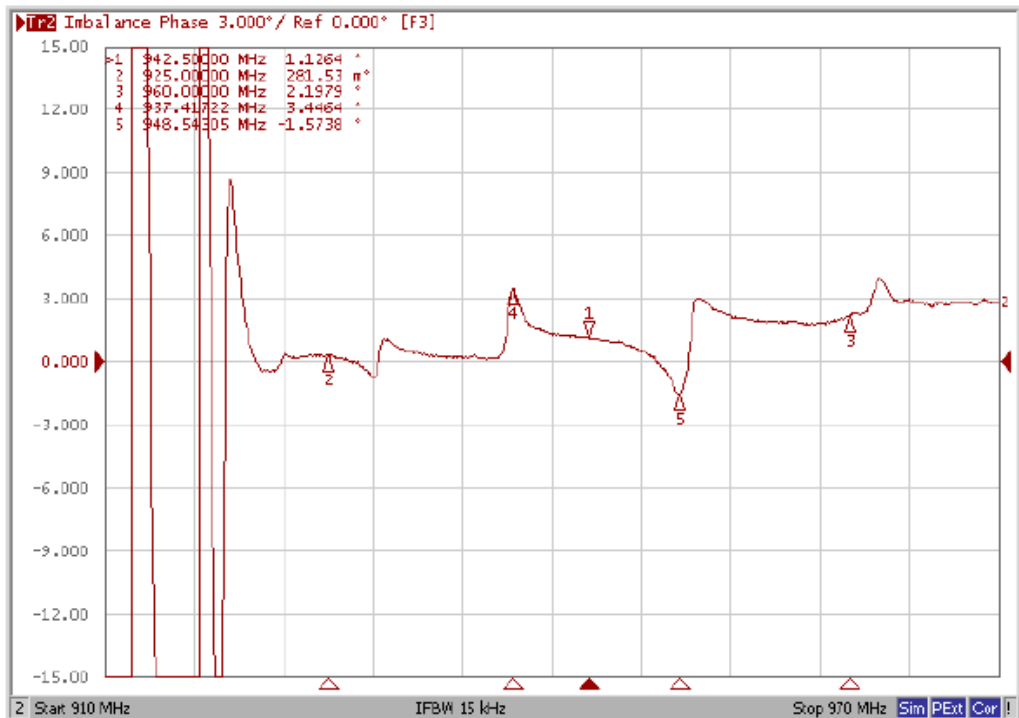
Smith Chart



Amplitude balance



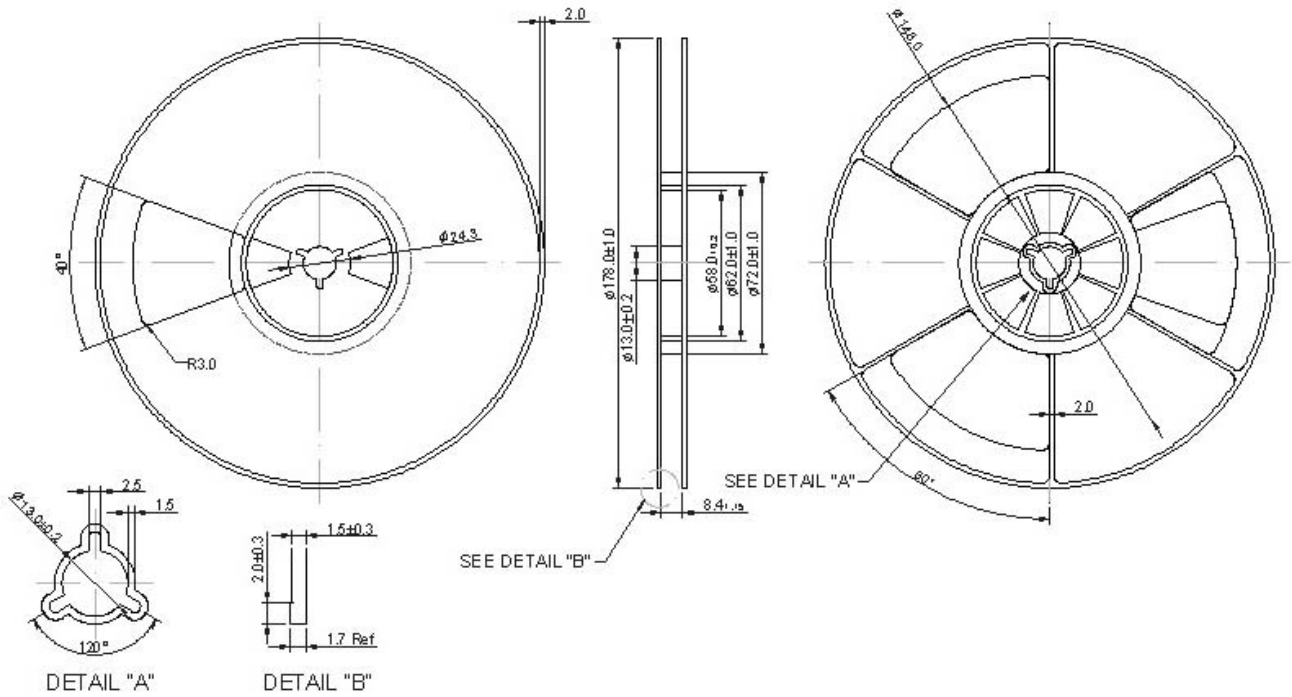
Phase balance



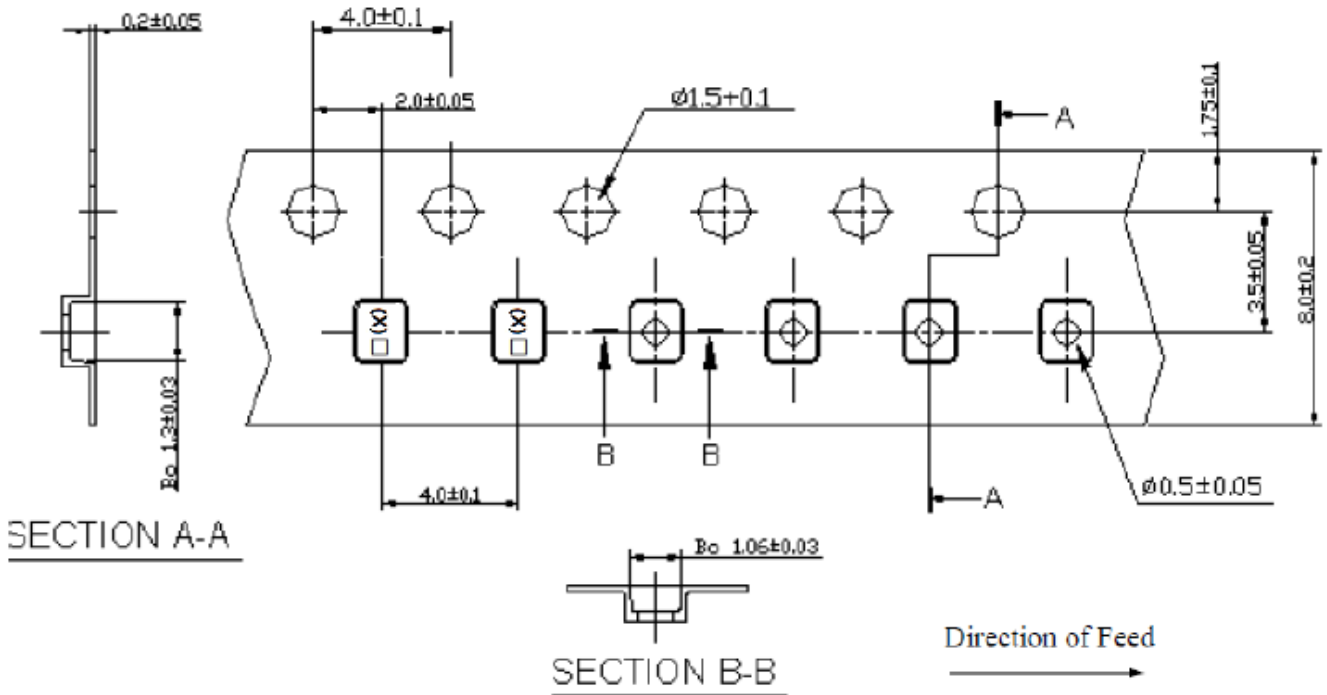
G. PACKING: (Ref: WI-75M03)

1. REEL DIMENSION

(Please refer to FR-75D10 for packing quantity)



2. TAPE DIMENSION



H. RECOMMENDED REFLOW PROFILE:

1. Preheating shall be fixed at 150~180°C for 60~90 seconds.
2. Ascending time to preheating temperature 150°C shall be 30 seconds min.
3. Heating shall be fixed at 220°C for 50~80 seconds and at 260°C +0/-5°C peak (20~40sec).
4. Time: 2 times.

