



TAI-SAW TECHNOLOGY CO., LTD.

No. 3, Industrial 2nd Rd., Ping-Chen Industrial District,
Taoyuan, 324, Taiwan, R.O.C.

TEL: 886-3-4690038 FAX: 886-3-4697532

E-mail: tstsales@mail.taisaw.com Web: www.taisaw.com

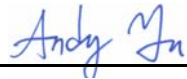
Product Specifications Approval Sheet


Product Name: SAW Filter 265.55MHz 260kHz BW SMD 3.0×3.0mm

TST Parts No.: TA1744A

Customer Parts No.: _____

Customer signature required
Company: _____
Division: _____
Approved by : _____
Date: _____

Checked by: _____ Andy Yu 

Approval by: _____ Bob Chau 

Date: _____ 2014/06/25

1. Customer signed back is required before TST can proceed with sample build and receive orders.
2. Orders received without customer signed back will be regarded as agreement on the specifications.
3. Any specifications changes must be approved upon by both parties and a new revision of specifications shall be released to reflect the changes



TAI-SAW TECHNOLOGY CO., LTD.

No. 3, Industrial 2nd Rd., Ping-Chen Industrial District,
Taoyuan, 324, Taiwan, R.O.C.

TEL: 886-3-4690038 FAX: 886-3-4697532

E-mail: tstsales@mail.taisaw.com Web: www.taisaw.com

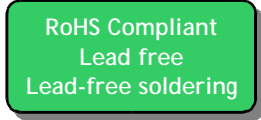
SAW Filter 265.55 MHz 260kHz BW SMD 3.0x3.0mm

MODEL NO.: TA1744A

REV. 1.0

A. MAXIMUM RATING:

1. Input Power Level: 10 dBm
2. DC Voltage : 7.5V
3. Operating Temperature: -30°C to +85°C (1)
4. Storage Temperature: -40°C to +85°C



Electrostatic Sensitive Device (ESD)

B. ELECTRICAL CHARACTERISTICS:

Terminating source impedance : $Z_s = 50 \Omega$

Terminating load impedance : $Z_L = 50 \Omega$

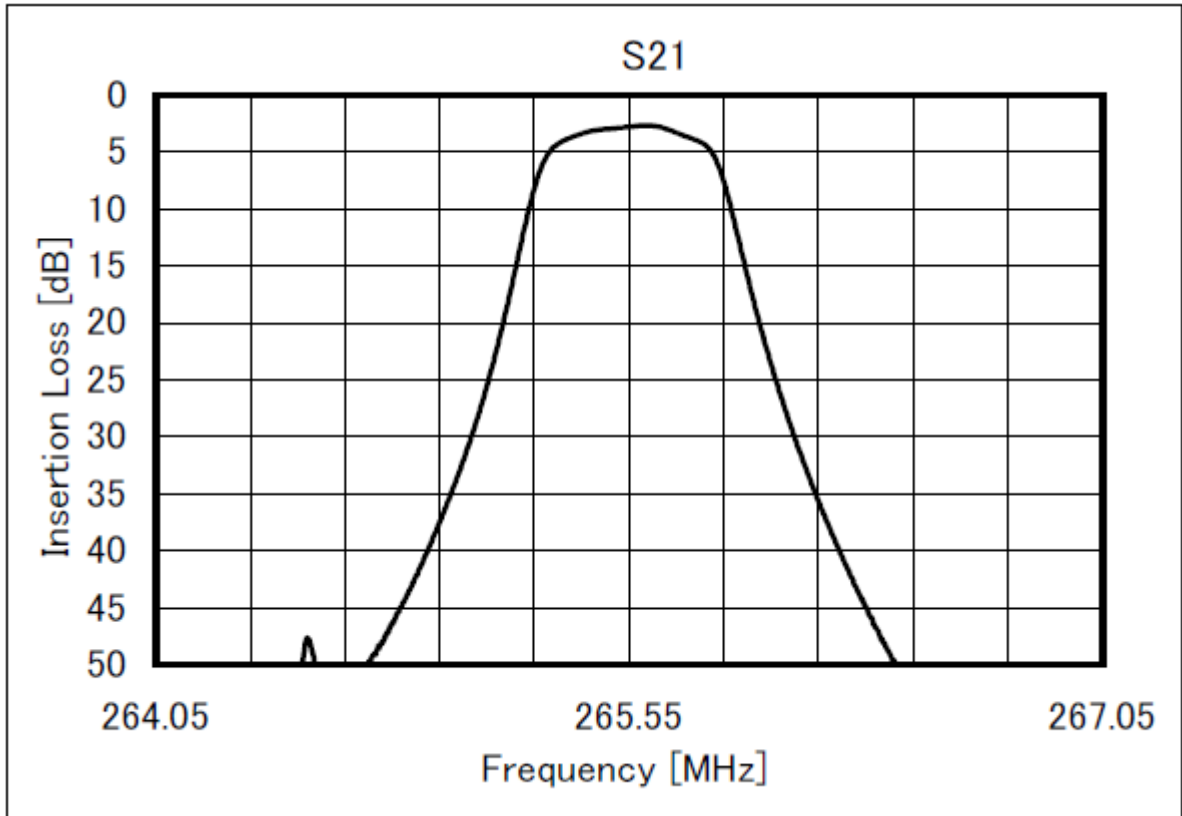
Item	Unit	Min.	Typ.(2)	Max.
Center frequency F_o	MHz	-	265.55	-
3dB Bandwidth	kHz	260	550	-
Insertion loss $F_o \pm 100\text{kHz}$	dB	-	3.2	4.0
Ripple $F_o \pm 100\text{kHz}$	dB		0.8	1.2
Group Delay Time Ripple $F_o \pm 100\text{kHz}$	usec		0.5	1.2
Attenuation (reference from 0dB)				
$F_o \pm 600\text{kHz}$	dB	25	30	-
$F_o \pm 1.2\text{MHz}$	dB	40	60	-
$F_o \pm 21.5\text{MHz} \sim F_o \pm 21.7\text{MHz}$	dB	60	63	-
Source impedance Z_s	Ω	-	50	-
Load impedance Z_L	Ω	-	50	-

Notes:

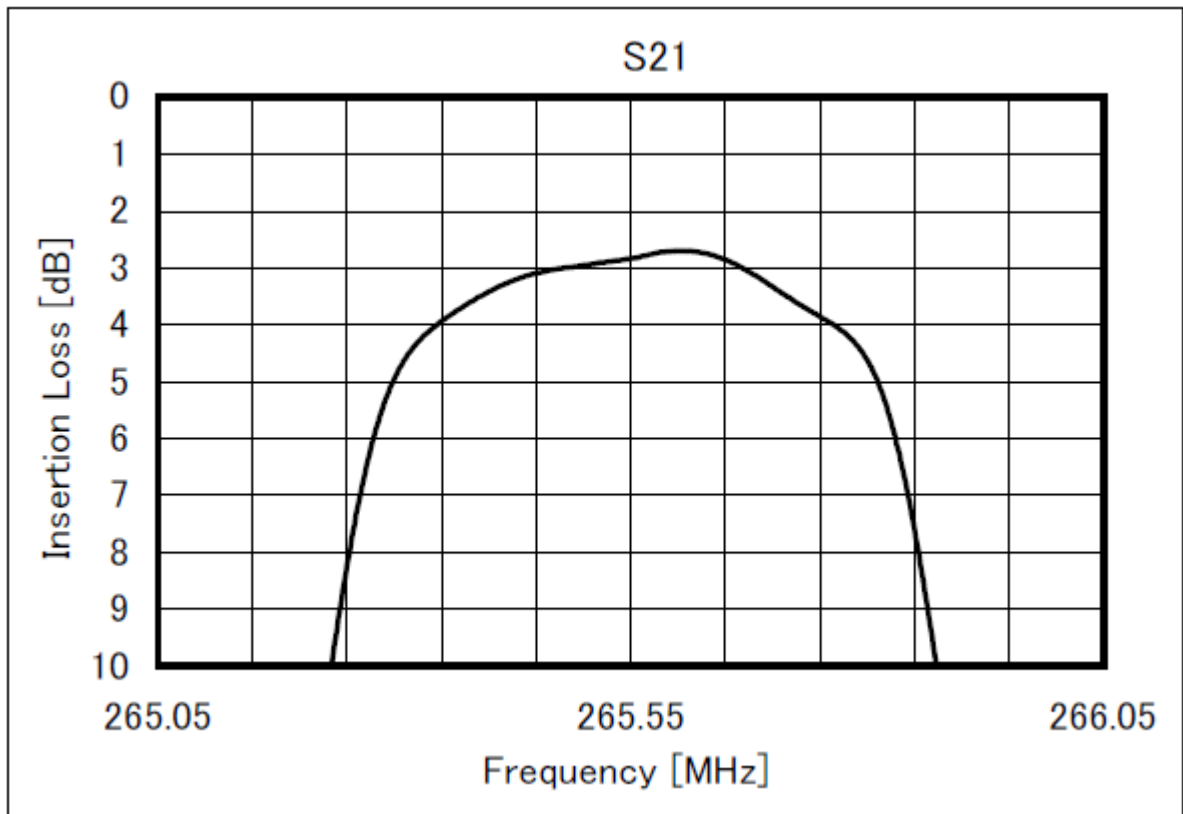
- (1). In production, devices will be tested at room temperature to a guardbanded specification to ensure electrical compliance over temperature.
- (2). Typical values are based on average measurements at room temperature.

C. Frequency Characteristics :

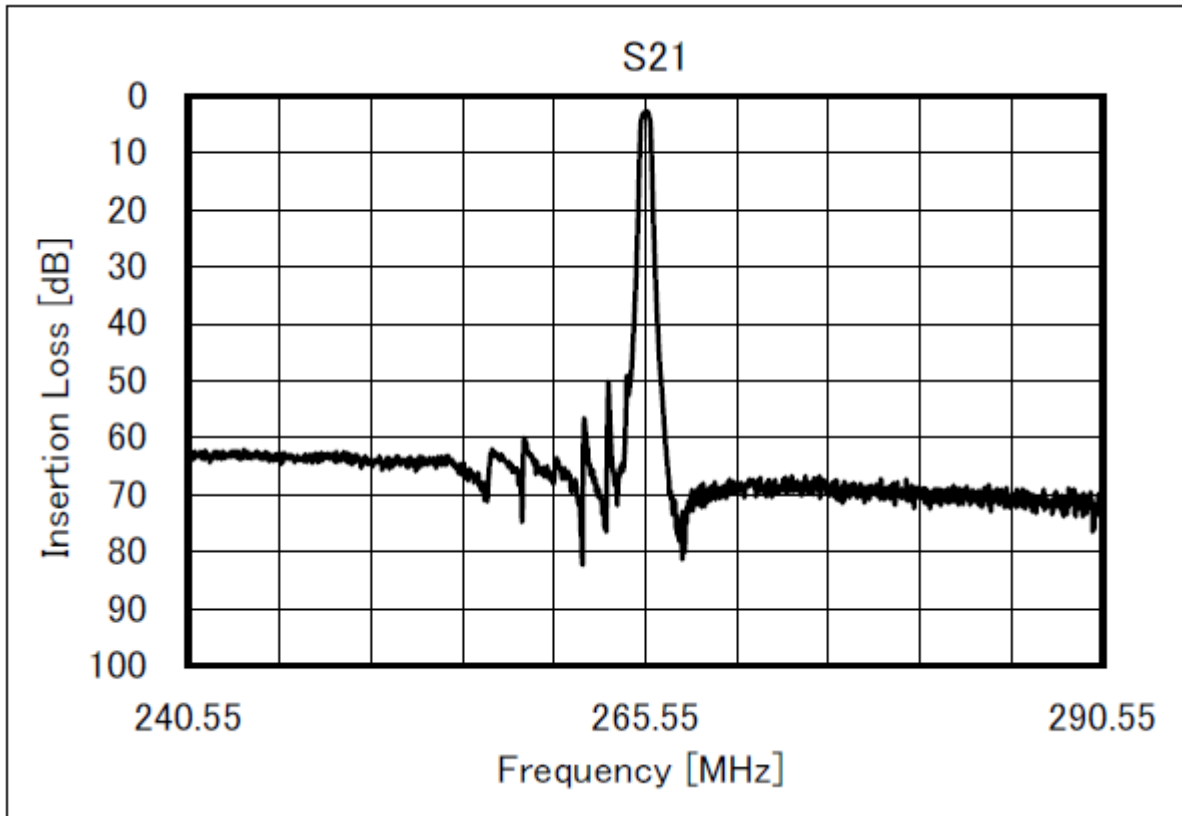
(1) S21 Response: (span 3MHz)



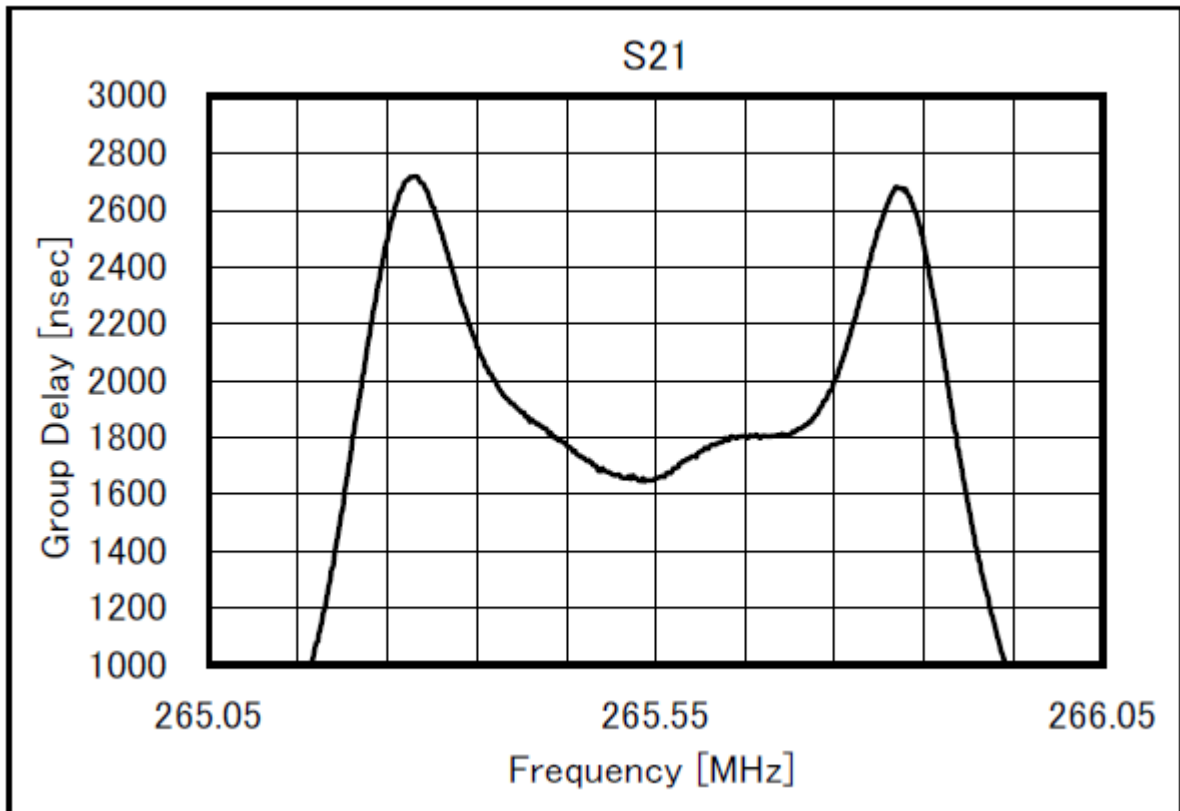
(2) Pass band Response:(span 1MHz)



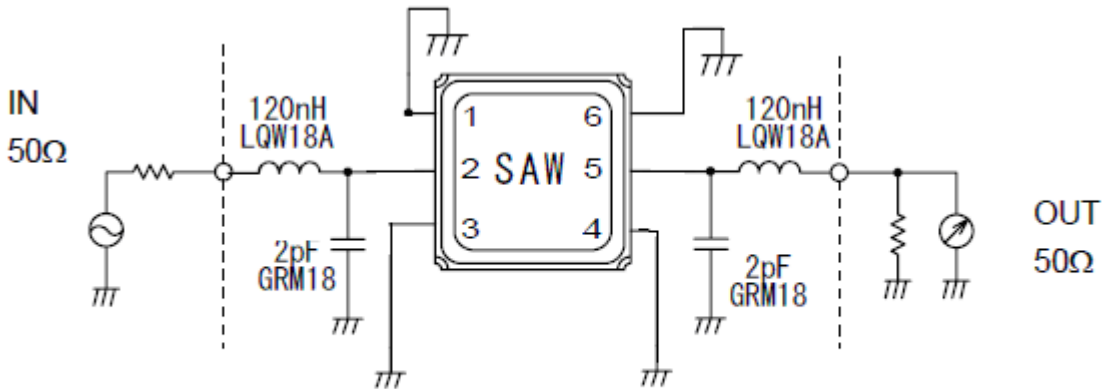
(3) Wide band Response:(span 50MHz)



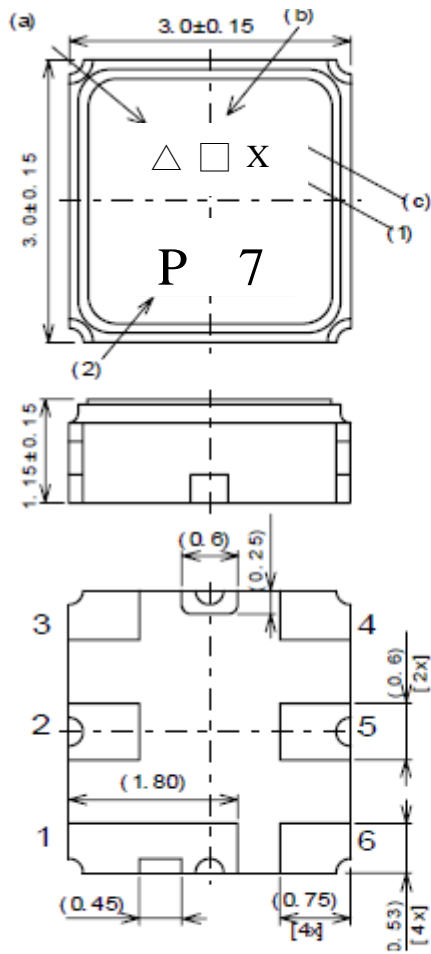
(4) Group Delay Response: (span 1MHz)



D. MEASUREMENT CIRCUIT:



E. OUTLINE DRAWING:



Marking

(1) Lot Number

(a) Year

(b) Month

*Oct.--- X

Nov.--- Y

Dec.--- Z

(c) Date

1-9--- 0

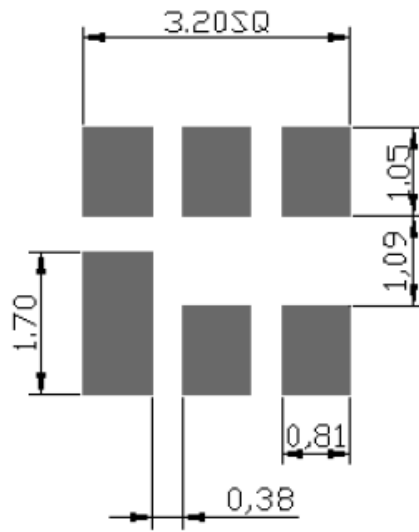
10-19--- 1

20-31--- 2

(2) Part Number Mark

Pin no.	Connection
1	GND
2	IN/OUT
3	GND
4	GND
5	OUT/IN
6	GND

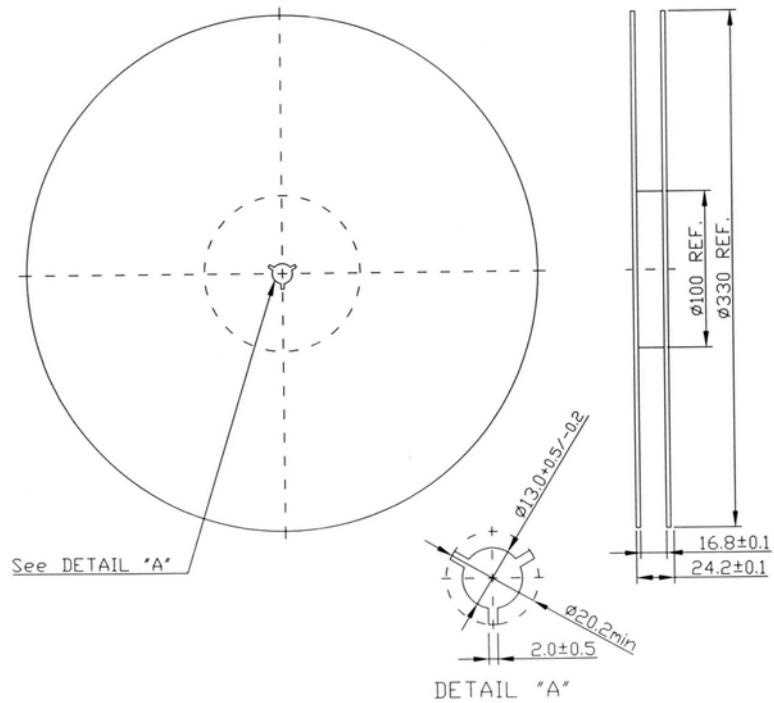
F. PCB FOOTPRINT:



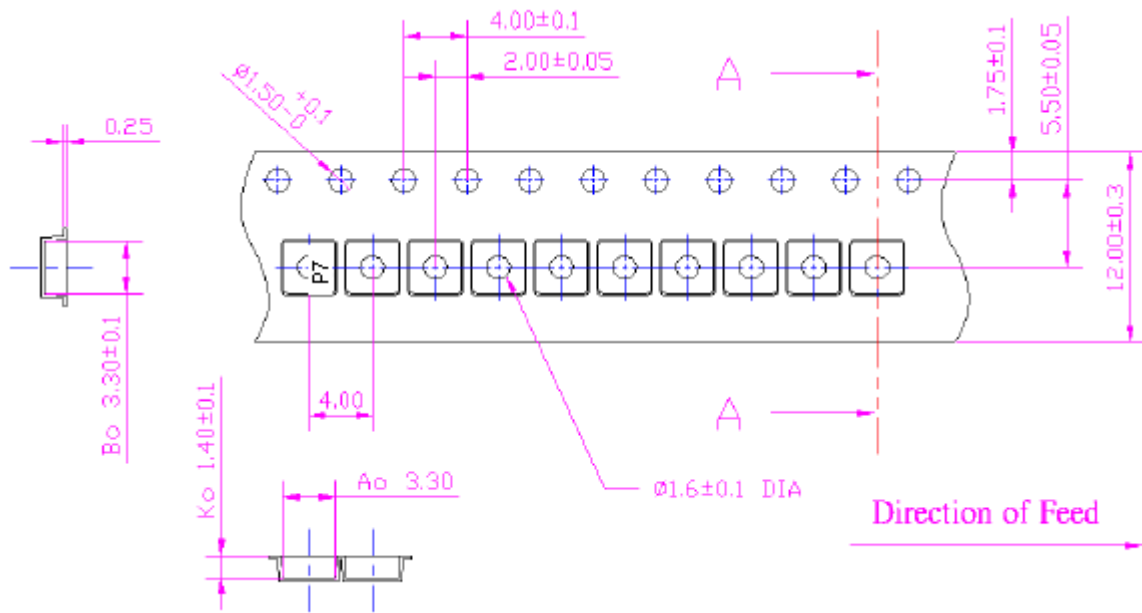
G. PACKING:

1. REEL DIMENSION

(Please refer to FR-75D10 for packing quantity)



2. TAPE DIMENSION



H. RECOMMENDED REFLOW PROFILE :

