



# TAI-SAW TECHNOLOGY CO., LTD.

No. 3, Industrial 2nd Rd., Ping-Chen Industrial District,  
Taoyuan, 324, Taiwan, R.O.C.

TEL: 886-3-4690038 FAX: 886-3-4697532

E-mail: [tstsales@mail.taisaw.com](mailto:tstsales@mail.taisaw.com) Web: [www.taisaw.com](http://www.taisaw.com)

## Product Specifications Approval Sheet

Product Description: 70 MHz 3.0MHz BW SMD 13.3 x 6.5 mm SAW IF Filter

TST Part No.: TB0195C

Customer Part No.: \_\_\_\_\_

Customer signature required
Company: _____
Division: _____
Approved by : _____
Date: _____

Checked by: \_\_\_\_\_ Kazuma Lee *Kazuma Lee*

Approval by: \_\_\_\_\_ Andy Yu *Andy Yu*

Date: \_\_\_\_\_ 06 / 06 / 2020

1. Customer signed back is required before TST can proceed with sample build and receive orders.
2. Orders received without customer signed back will be regarded as agreement on the specifications.
3. Any specifications changes must be approved upon by both parties and a new revision of specifications shall be released to reflect the changes.



# TAI-SAW TECHNOLOGY CO., LTD.

No.3, Industrial 2nd Rd., Ping-Chen Industrial District, Taoyuan, Taiwan, R.O.C.

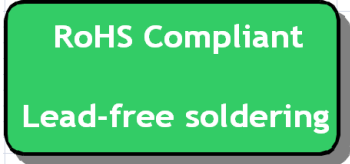
TEL: 886-3-4690038 FAX: 886-3-4697532

E-mail: [tstsales3@mail.taisaw.com](mailto:tstsales3@mail.taisaw.com) Web: [www.taisaw.com](http://www.taisaw.com)

Low-Loss 70 MHz IF SAW Filter (SMD 13.3x6.5 mm)

Model No.: TB0195C

Rev. No.:1



## A. MAXIMUM RATING:

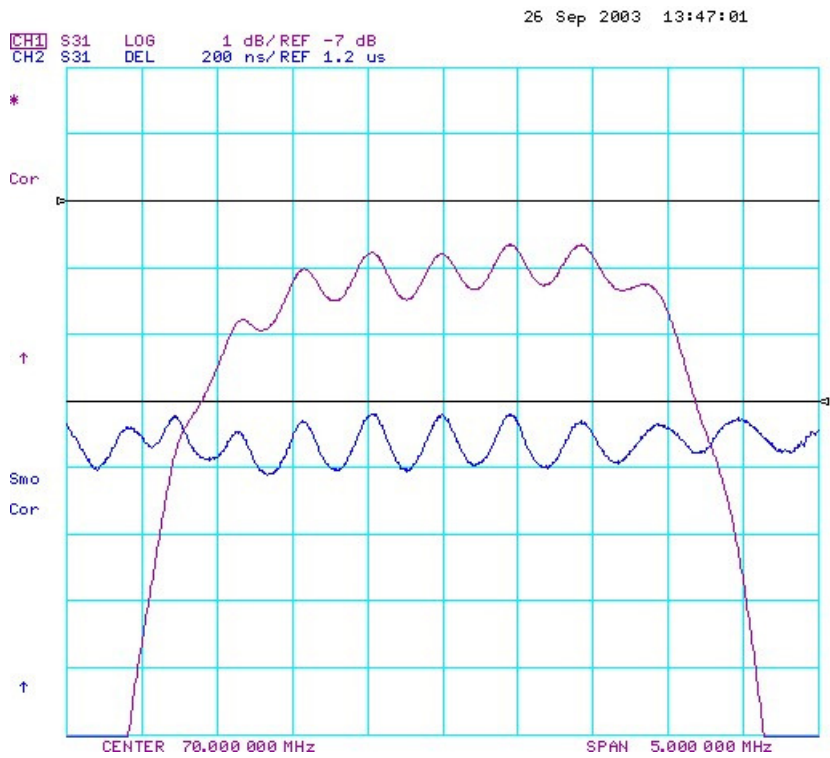
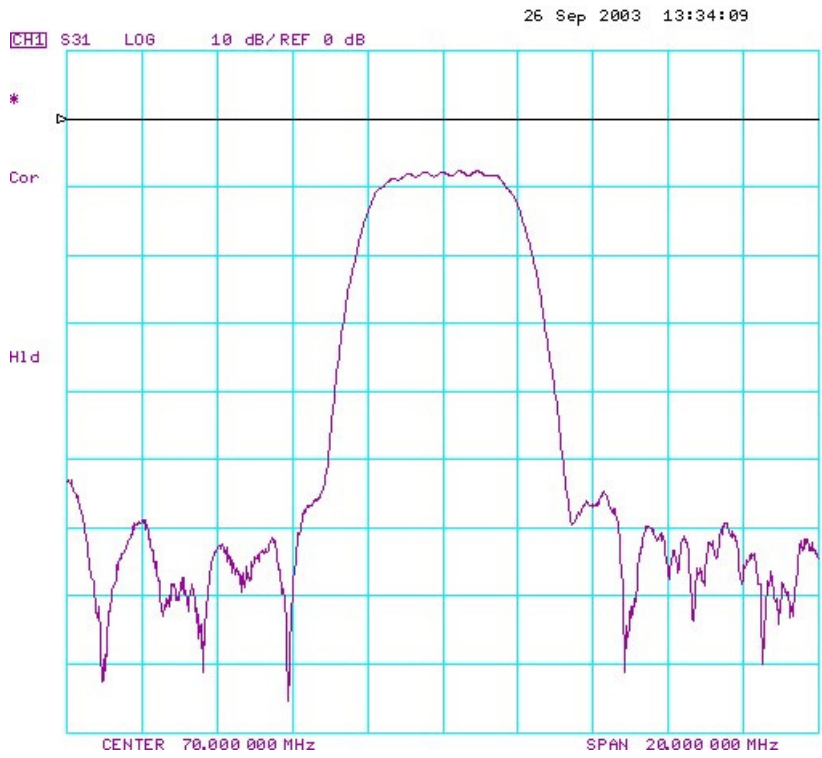
1. Input Power Level: 20 dBm
2. DC Voltage: 10V
3. Operating Temperature: -30°C to +55°C
4. Storage Temperature: -40°C to +85°C
5. Moisture Sensitivity Level: Level1 (MSL1)

Electrostatic Sensitive Device

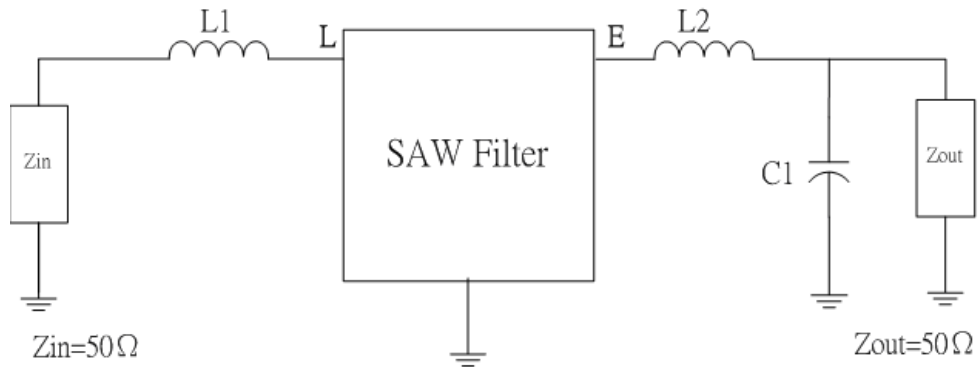
## B. ELECTRICAL CHARACTERISTICS:

Item	Unit	Min.	Typ.	Max.	Note
Center frequency, <b>F<sub>c</sub></b>	MHz	-	70	-	
Insertion Loss, <b>IL</b>	dB	-	7.5	9.5	
1 dB Bandwidth	MHz	2.3	2.63	-	
3 dB Bandwidth	MHz	3.0	3.55		
35 dB Bandwidth	MHz		6.0	7.5	
Amplitude ripple within $F_c \pm 0.92$ MHz	dB	-	0.75	2.0	
Phase Linearity within $F_c \pm 1.2$ MHz (rms)	deg	-	2.2	5	
Group Delay ripple within $F_c \pm 1.2$ MHz	nsec		155	300	
Absolute Delay	µsec	-	1.07	-	
Attenuation (Reference level from Min IL)					
10 ~ 66MHz	dB	40	45	-	
74~140MHz	dB	40	45	-	
Substrate Material	-	-	YZ-LN	-	
Temperature Coefficient	ppm/ °C	-	-94	-	
Ambient Temperature	°C	-	25	-	

# C.FREQUENCY CHRACTERISTICS:

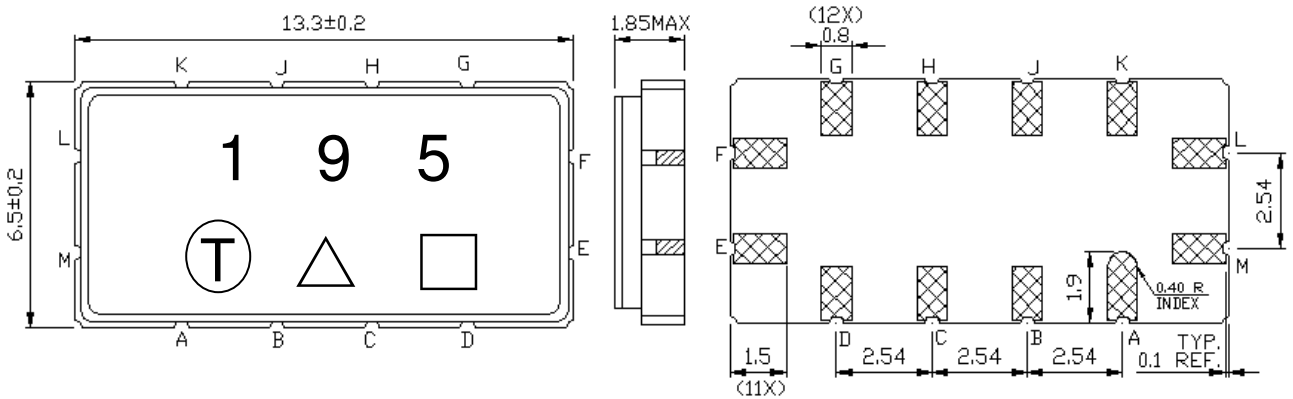


**D. MEASUREMENT CIRCUIT:**



L1=220nH L2=56nH C1=22pF

**E. OUTLINE DRAWING:**



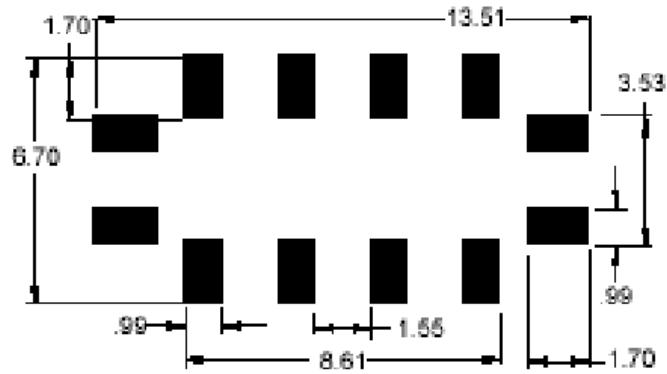
- Pin L: RF Input
- Pin E: RF Output
- Others: To be Ground
- : Week Code
- Unit: mm
- △ : Product / Year Code

Year	2017 2021	2018 2022	2019 2023	2020 2024
Product Code	B	b	<u>B</u>	<u>b</u>

**Week Code Table**

WK01	WK02	WK03	WK04	WK05	WK06	WK07	WK08	WK09	WK10	WK11	WK12	WK13
A	B	C	D	E	F	G	H	I	J	K	L	M
WK14	WK15	WK16	WK17	WK18	WK19	WK20	WK21	WK22	WK23	WK24	WK25	WK26
N	O	P	Q	R	S	T	U	V	W	X	Y	Z
WK27	WK28	WK29	WK30	WK31	WK32	WK33	WK34	WK35	WK36	WK37	WK38	WK39
a	b	c	d	e	f	g	h	i	j	k	l	m
WK40	WK41	WK42	WK43	WK44	WK45	WK46	WK47	WK48	WK49	WK50	WK51	WK52
n	o	p	q	r	s	t	u	v	w	x	y	z

**F. PCB FOOTPRINT:**

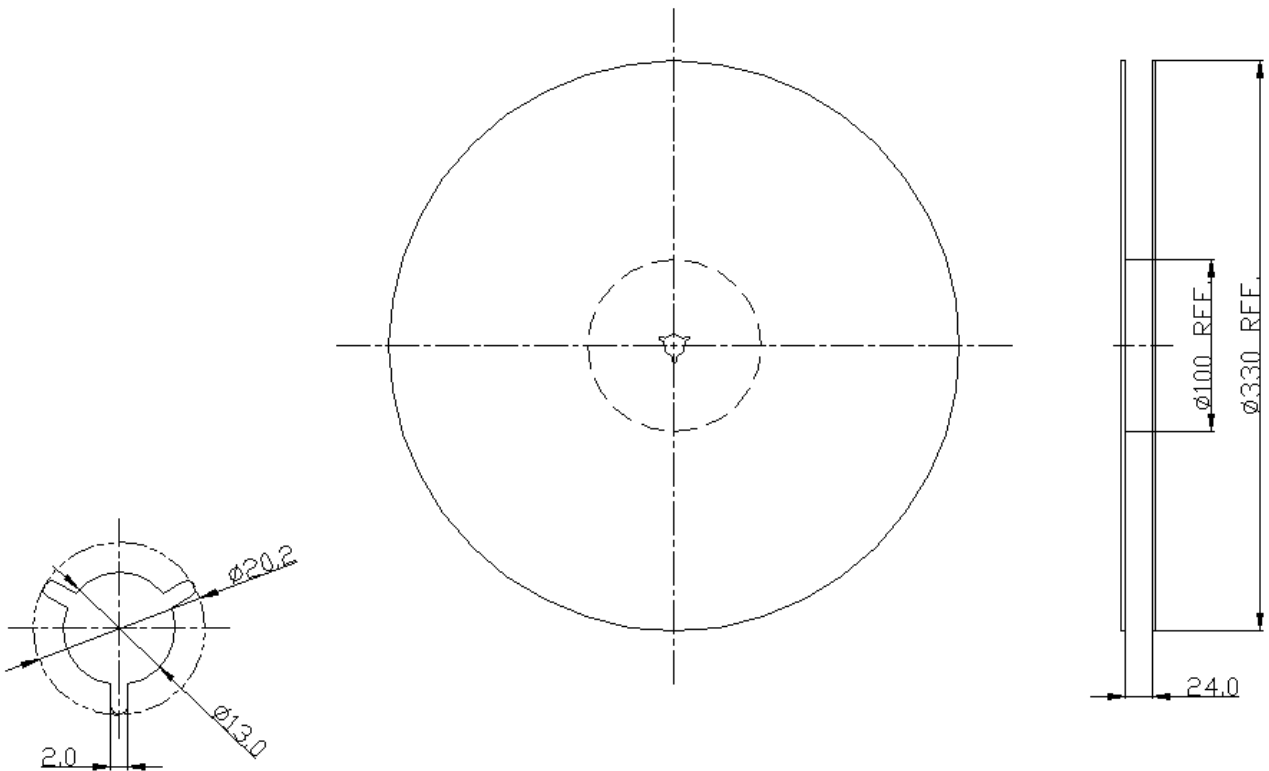


Unit: mm

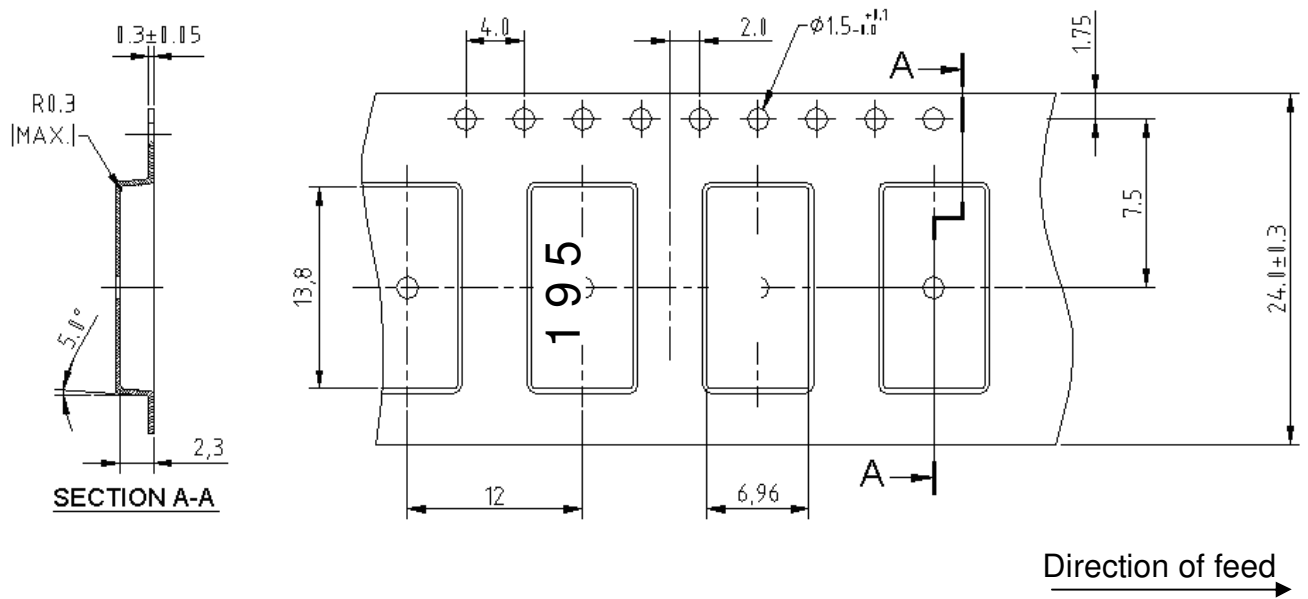
**G. PACKING:**

1. REEL DIMENSION

(Please refer to FR-75D10 for packing quantity and FR-75M03 for MSL)



## 2. TAPE DIMENSION



### H. RECOMMENDED REFLOW PROFILE:

1. Preheating shall be fixed at  $150 \sim 180^\circ\text{C}$  for 60~90 seconds.
2. Ascending time to preheating temperature  $150^\circ\text{C}$  shall be 30 seconds min.
3. Heating shall be fixed at  $220^\circ\text{C}$  for 50~80 seconds and at  $260^\circ\text{C} \pm 0/-5^\circ\text{C}$  peak (20~40sec).
4. Time: 2 times.

