



TAI-SAW TECHNOLOGY CO., LTD.

No. 3, Industrial 2nd Rd., Ping-Chen Industrial District,
Taoyuan, 324, Taiwan, R.O.C.

TEL: 886-3-4690038 FAX: 886-3-4697532

E-mail: tstsales@mail.taisaw.com Web: www.taisaw.com

Approval Sheet For Product Specification

Issued Date:

Product Name: SAW Filter 60 MHz SMD 13.3x6.5 mm

TST Parts No.:TB0224A

Customer Parts No.:_____

| |
|---------------------|
| Company: _____ |
| Division: _____ |
| Approved by : _____ |
| Date: _____ |

Checked by: _____ Asin Lin

Approval by: _____ Francis Chen

Date: _____ 07,26,2007



TAI-SAW TECHNOLOGY CO., LTD.

No. 3, Industrial 2nd Rd., Ping-Chen Industrial District,
Taoyuan, 324, Taiwan, R.O.C.

TEL: 886-3-4690038 FAX: 886-3-4697532

E-mail: tstsales@mail.taisaw.com Web: www.taisaw.com

SAW Filter 60 MHz

MODEL NO.: TB0224A

REV. NO.:3

A. MAXIMUM RATING:

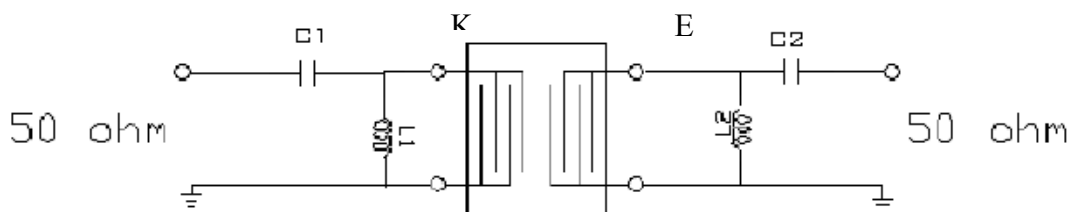
1. Input Power Level : 10 dBm
2. Operating Temperature: -40°C to 85°C
3. Storage Temperature: -40°C to 85°C

RoHS Compliant
Lead free
Lead-free soldering

B. ELECTRICAL CHARACTERISTICS:

| Item | Unit | Min. | Type. | Max. | Note |
|--|--------|------|-------|------|------|
| Center frequency, Fc | MHz | - | 60.2 | - | |
| Minimum Insertion Loss, IL | dB | - | 9.8 | 12 | |
| Amplitude Ripple (58.26~61.74MHz), AR | MHz | - | 0.8 | 1.2 | |
| Group delay ripple (58~62MHz), GDR | ns | - | 110 | 150 | |
| Phase Linearity, PL | deg | | 3 | 10 | |
| 1dB Bandwidth | MHz | 4.35 | 5.4 | | |
| 3dB Bandwidth | MHz | 5 | 6 | | |
| Relative attenuation (relative to min. IL) | | - | | | |
| 10 MHz ~ 52 MHz | dB | 40 | 47 | - | |
| 68MHz ~ 110 MHz | dB | 37 | 42 | - | |
| Temperature coefficient of frequency | ppm/°C | | -94 | - | |

C. MEASUREMENT CIRCUIT:



Input L1=220nH, C1=15pF
Output L2=180nH, C2=22pF

D. Frequency Characteristics :

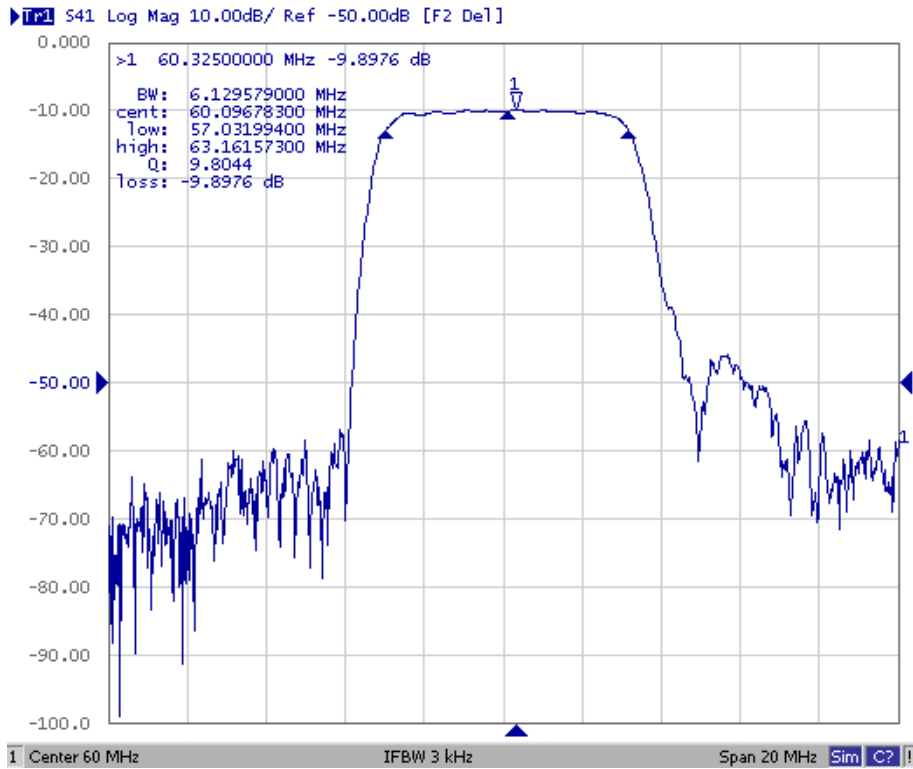


Fig-1 S21 Response Horizontal: 2 MHz/Div
Vertical: 10dB/Div

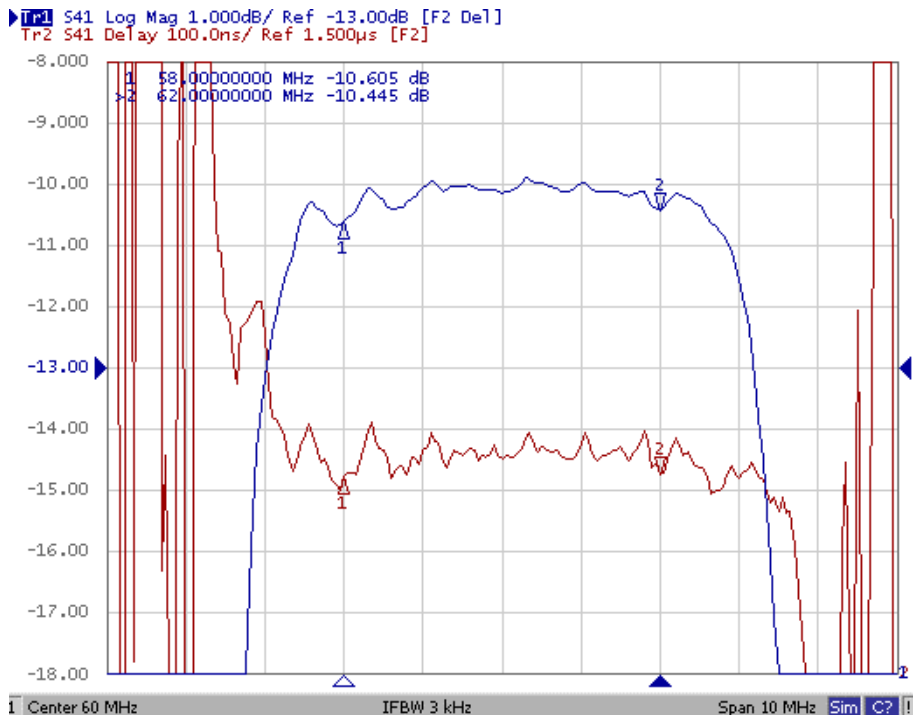
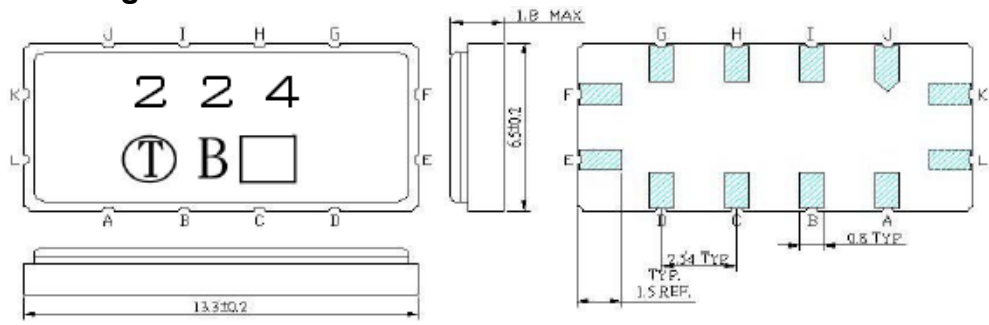


Fig-2 Horizontal: 1M Hz/Div Vertical: 1dB/Div
Vertical: 100ns/Div

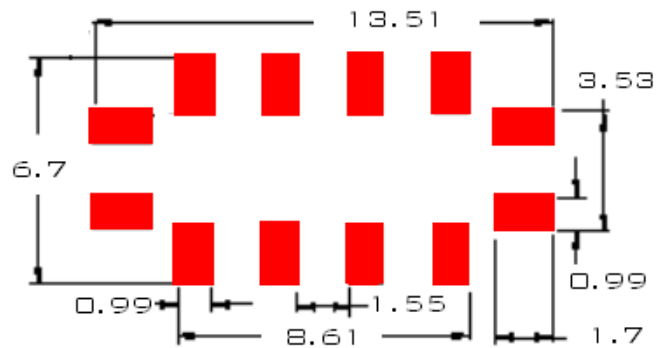
E. Outline Drawing :



Unit: mm

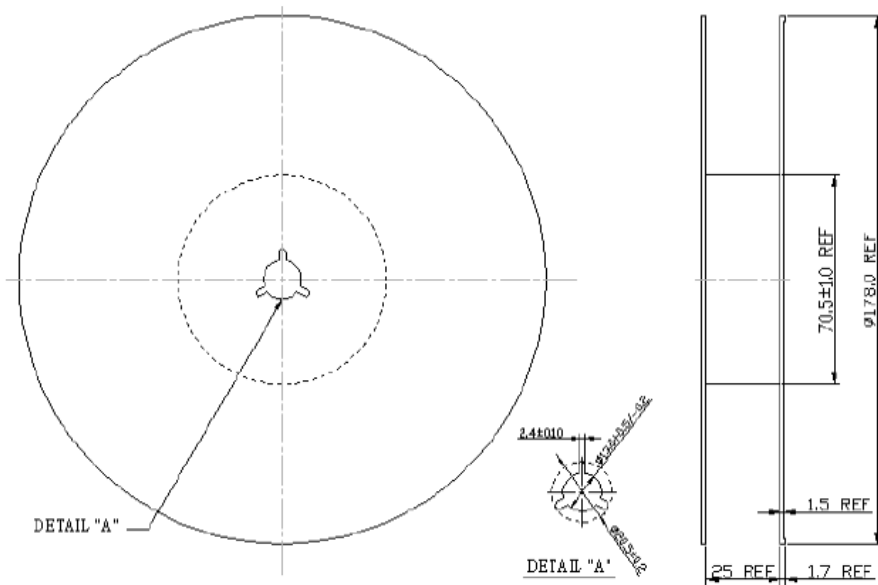
-
- Pin K: RF Input
 - Pin E: RF Output
 - Pin A, B, C, D, F G, H, I, J L To be Ground
 - : Date code

F. PCB Footprint :

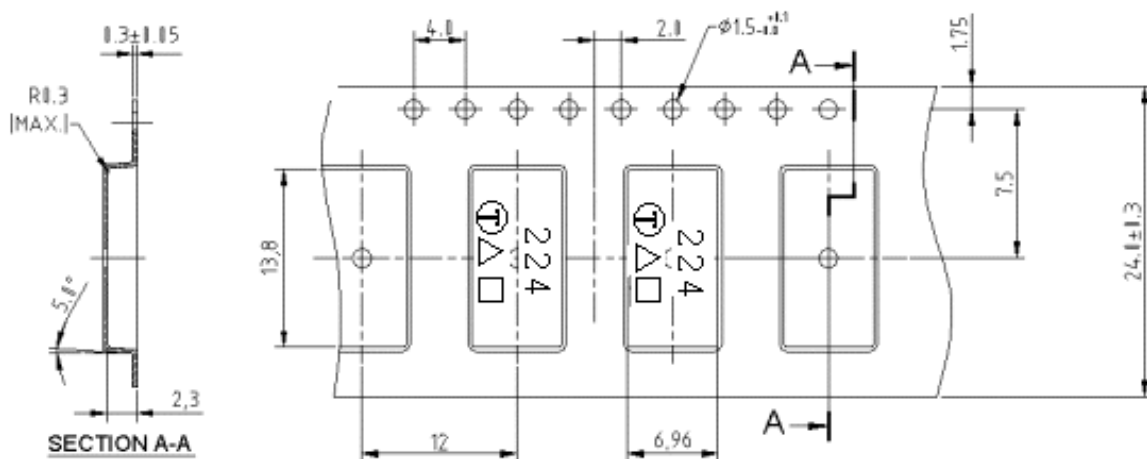


G. Packing:

(1). REEL DIMENSION:



(2). TYPE DIMENSION:



H. Recommended Reflow Profile:

