



TAI-SAW TECHNOLOGY CO., LTD.

No. 3, Industrial 2nd Rd., Ping-Chen Industrial District,
Tao-Yuan, 324, Taiwan, R.O.C.

TEL: 886-3-4690038 FAX: 886-3-4697532

E-mail: tstsales@mail.taisaw.com Web: www.taisaw.com

Product Specifications Approval Sheet

Product Name: 70MHz 19.15MHz BW 20.0x12.6mm Metal DIP SAW IF Filter

TST Part No.: TB0230A

Customer Part No.: _____

Customer signature required
Company: _____
Division: _____
Approved by : _____
Date: _____

Checked by: _____ Kazuma Lee 

Approved by: _____ Bob Chau 

Date: _____ 08 / 13 / 2013

1. Customer signed back is required before TST can proceed with sample build and receive orders.
2. Orders received without customer signed back will be regarded as agreement on the specifications.
3. Any specifications changes must be approved upon by both parties and a new revision of specifications shall be released to reflect the changes.



TAI-SAW TECHNOLOGY CO., LTD.

No.3, Industrial 2nd Rd., Ping-Chen Industrial District, Taoyuan, Taiwan, R.O.C.

TEL: 886-3-4690038 FAX: 886-3-4697532

E-mail: tstsales3@mail.taisaw.com Web: www.taisaw.com

70 MHz IF SAW Filter (DIP 20.2×12.6 mm)

Model No.: TB0230A

Rev. No.:5

A. Maximum Rating:

RoHS Compliant

Lead-free soldering

1. Input Power Level: +10 dB_m
2. Operating Temperature: -30°C to +80°C
3. Storage Temperature: -40°C to +85°C

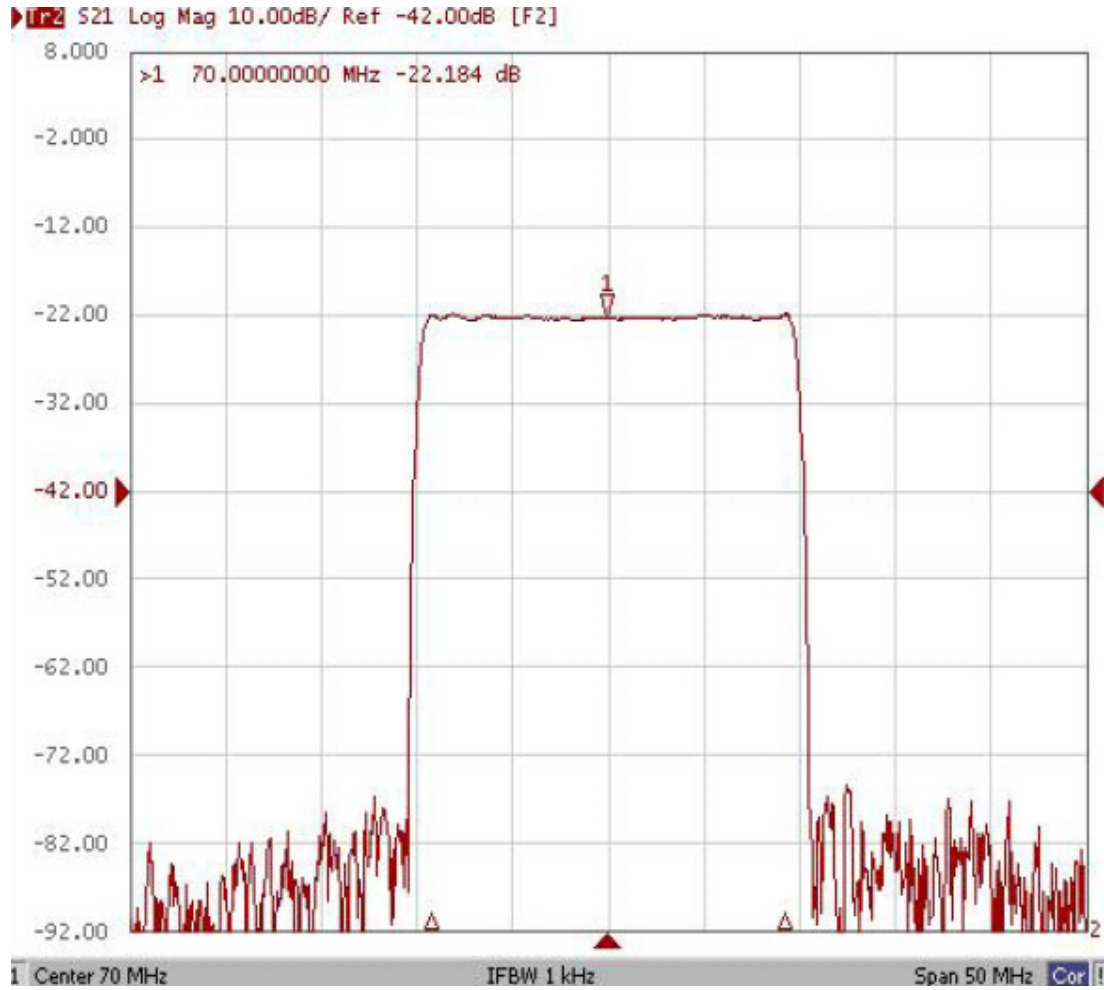
Electrostatic Sensitive Device

B. Electrical Characteristics:

Parameters	Unit	Min.	Typical	Max.
Center frequency, F_c	MHz	-	70.0	-
Insertion Loss, IL	dB	-	22.5	24.0
1 dB Bandwidth	MHz	-	19.15	-
3 dB Bandwidth	MHz	19.2	19.47	-
50 dB Bandwidth	MHz	-	20.92	21.0
Relative Attenuation:				
Lower Sidelobe	dB	50	55	-
Upper Sidelobe	dB	50	55	-
Amplitude ripple within F _c ± 9.22 MHz	dB	-	0.7	1.0
Group delay ripple within F _c ± 9.22 MHz	nsec	-	50	100
Absolute Delay	usec	-	2.42	-
Substrate Material	-	-	LN	-

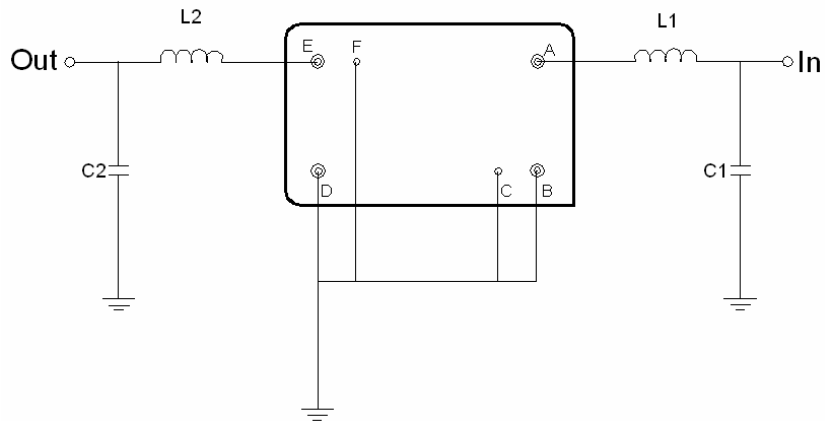
C. Frequency Characteristics:

(1) Frequency Response



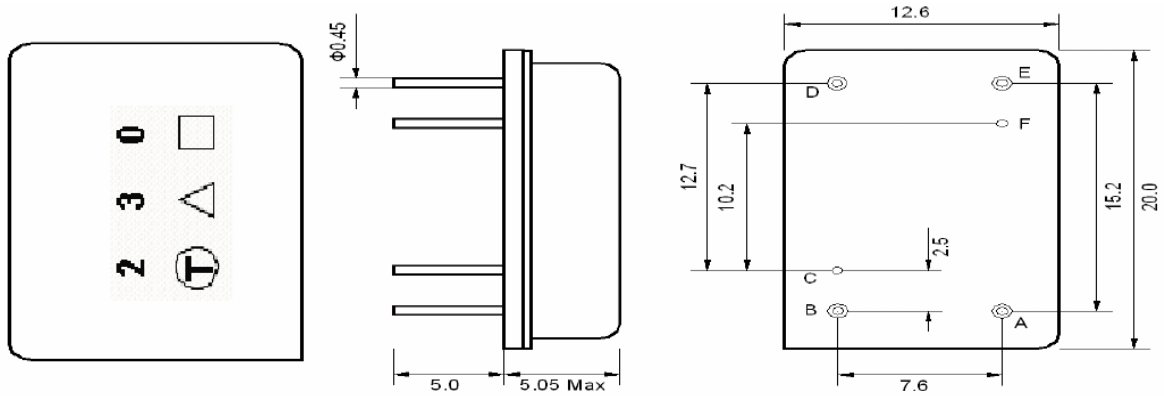
D. Measurement Circuit:

Source and load impedance: 50 Ω



L1=150 nH, L2=180 nH, C1=15 pF, C2=15 pF

E. Outline Drawing:



Pin A: Input
 Pin E: Onput
 Pin B, C, D, F: Ground

□ : Week Code

Unit : mm

△ : Product / Year Code

Year	2013 2017	2014 2018	2015 2019	2016 2020
Product Code	B	b	<u>B</u>	<u>b</u>