



TAI-SAW TECHNOLOGY CO., LTD.

No. 3, Industrial 2nd Rd., Ping-Chen Industrial District,
Taoyuan, 324, Taiwan, R.O.C.

TEL: 886-3-4690038 FAX: 886-3-4697532

E-mail: tstsales@mail.taisaw.com Web: www.taisaw.com

Approval Sheet For Product Specification

Issued Date:

Product Name: SAW IF Filter 50MHz

TST Parts No.: TB0282A (package 13.3mm x 6.5 mm)

Customer Parts No.: _____

Company: _____
Division: _____
Approved by : _____
Date: _____

Checked by: _____ Andy Lee

Approval by: _____ Francis Chen

Date: _____ 4/25 /2005



TAI-SAW TECHNOLOGY CO., LTD.

No.3, Industrial 2nd Rd., Ping-Chen Industrial District, Taoyuan, Taiwan, R.O.C.

TEL: 886-3-4690038 FAX: 886-3-4697532

E-mail: tstsales3@mail.taisaw.com Web: www.taisaw.com

SAW Filter 50MHz (SMD 13.3×6.5 mm)

MODEL NO.: TB0282A

REV. NO.1

A. MAXIMUM RATING:

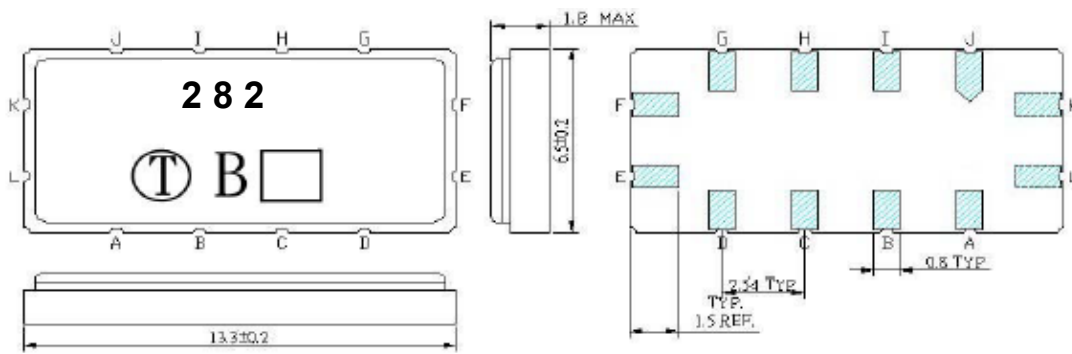
1. Input Power Level: 10 dBm
2. Operating Temperature: -40°C to 65°C
3. Storage Temperature: -40°C to 85°C

RoHS Compliant
Lead free
Lead-free soldering

B. ELECTRICAL CHARACTERISTICS:

Item	Unit	Min.	Type.	Max.	Note
Center frequency, F_c	MHz	49.5	50	50.5	-
Minimum Insertion Loss, IL	dB	-	13.5	15	-
Amplitude ripple at any 200KHz bandwidth within 10.6MHz	MHz	-	0.5	1	-
1dB Bandwidth	MHz	10.6	10.7	-	-
3dB Bandwidth	MHz	-	11.4	12	-
40dB Bandwidth	MHz	-	15	16.9	-
Group Delay Variation within 5.6MHz BW	nS		135	200	-
Phase Linearity within 5.6MHz BW	rms		1.5	2	-
Triple transit supression	dB	35	40	-	-
Attenuation:(Reference level from Min IL)					
(1) DC~35MHz	dB	45	54		
(2) 35MHz~41MHz	dB	40	46		
(3) 59MHz~65MHz	dB	35	38		
(4) 65MHz~125MHz	dB	40	43		

C. OUTLINE DRAWING:



Unit: mm

- Pin K: RF Input
- Pin E: RF Output
- Pin L: Input Ground
- Pin F: Output Ground
- Pin A, B, C, D, G, H, I, J: To be Ground
- : Date code

D. FREQUENCY CHARACTERISTICS:

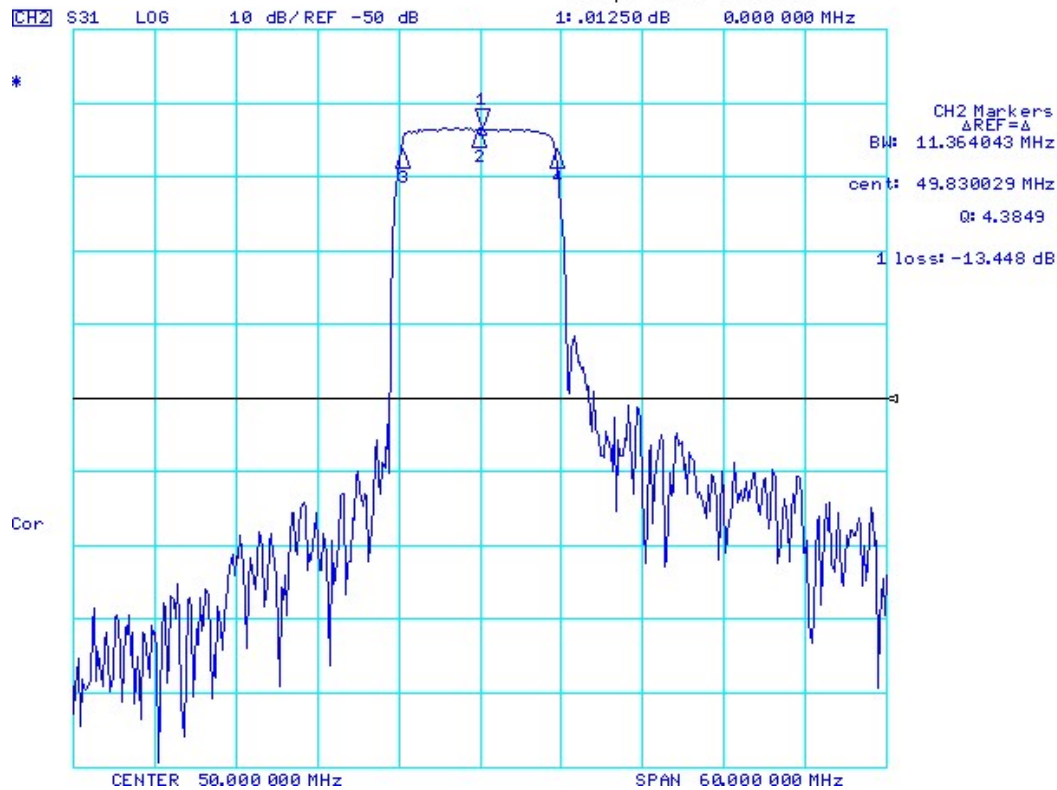


Fig. 1 S21 Response Horizontal: 6MHz; Vertical: 10dB/Div

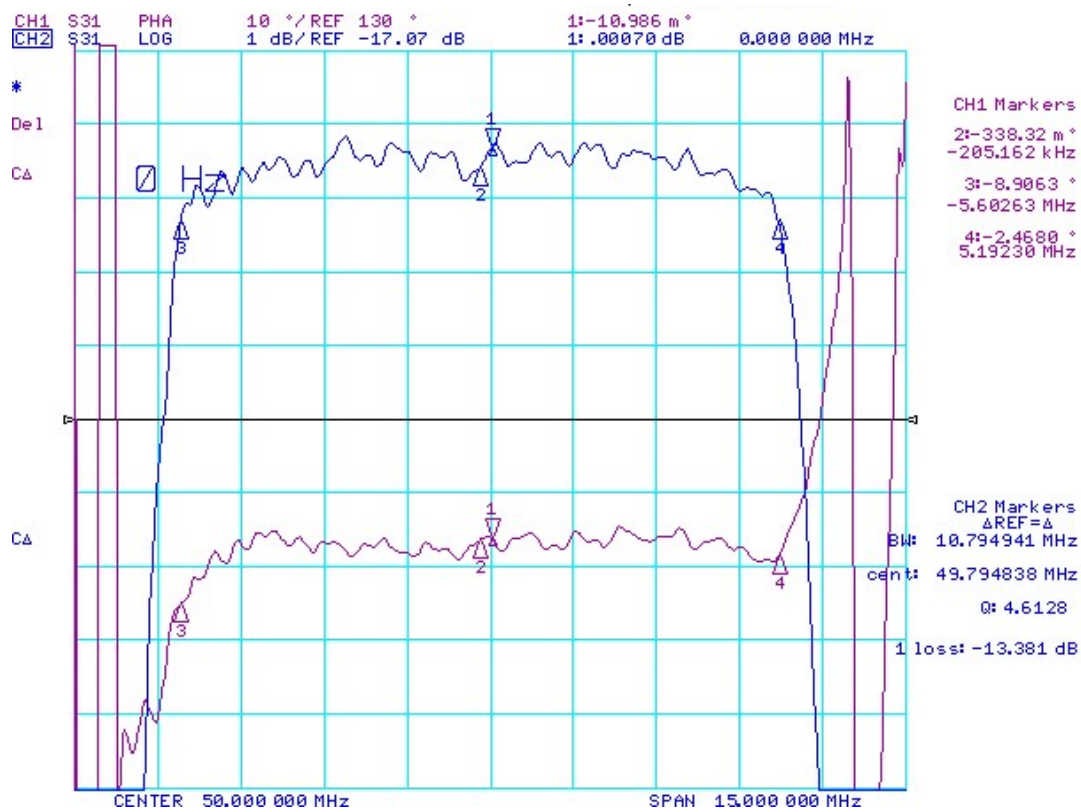


Fig. 2 Inband ripple and phase Horizontal: 1.5MHz; Vertical: 1dB/Div, 10deg/Div

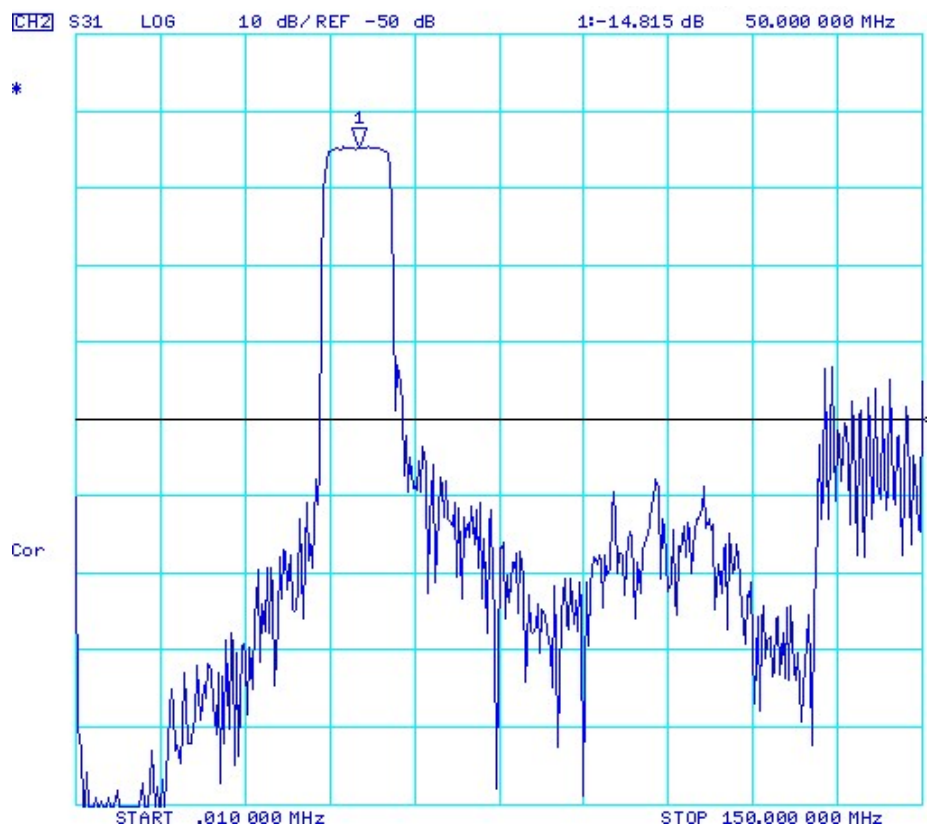


Fig. 3 Wideband response Horizontal: 0.01MHz~150MHz; Vertical: 10dB/Div

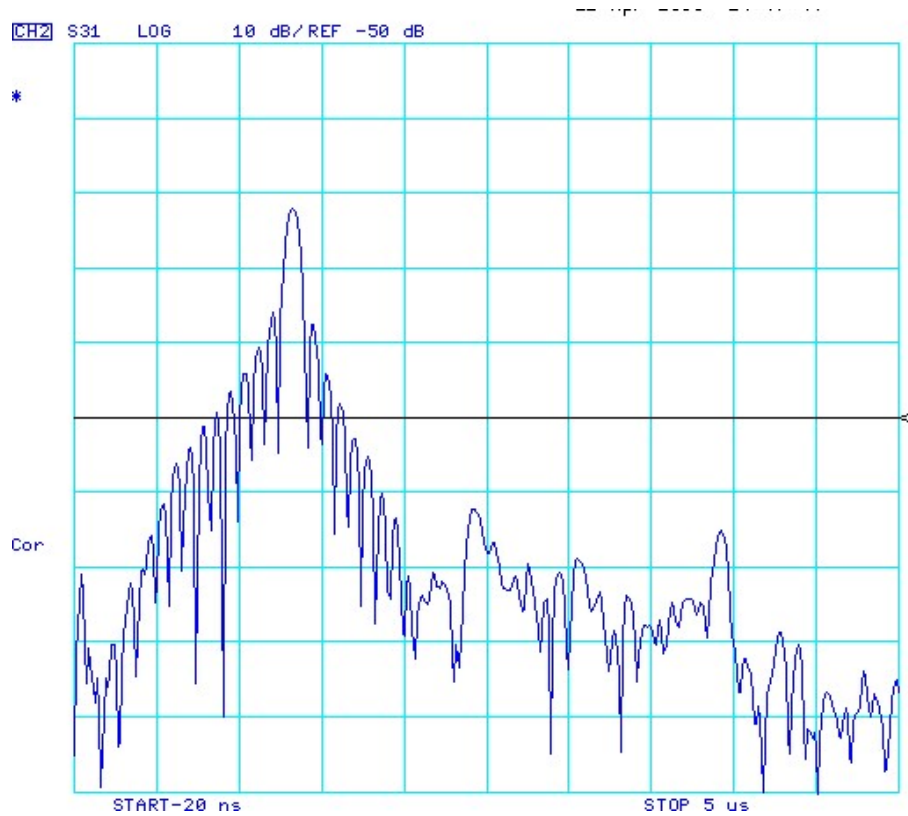


Fig. 4 Time domain response Horizontal: -20nS~5uS; Vertical: 10dB/Div

E.MATCHING CIRCUIT:

