



TAI-SAW TECHNOLOGY CO., LTD.

No. 3, Industrial 2nd Rd., Ping-Chen Industrial District,
Taoyuan, 324, Taiwan, R.O.C.

TEL: 886-3-4690038 FAX: 886-3-4697532

E-mail: tstsales@mail.taisaw.com Web: www.taisaw.com

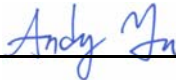
Product Specifications Approval Sheet


Product Name: SAW Filter 40MHz (BW 5MHz) SMD 7.0x5.0 mm

TST Parts No.:TB0318C

Customer Parts No.:_____

Company:_____
Division:_____
Approved by : _____
Date:_____

Checked by:_____ Andy Yu 

Approval by:_____ Bob Chau 

Date:_____ 2015/02/03

1. Customer signed back is required before TST can proceed with sample build and receive orders.
2. Orders received without customer signed back will be regarded as agreement on the specifications.
3. Any specifications changes must be approved upon by both parties and a new revision of specifications shall be released to reflect the changes



TAI-SAW TECHNOLOGY CO., LTD.

No. 3, Industrial 2nd Rd., Ping-Chen Industrial District,
Taoyuan, 324, Taiwan, R.O.C.

TEL: 886-3-4690038 FAX: 886-3-4697532

E-mail: tstsales@mail.taisaw.com Web: www.taisaw.com

SAW Filter 40 MHz (BW 5MHz) SMD 7.0x5.0mm

MODEL NO.: TB0318C

REV. NO.:1.0

A. MAXIMUM RATING:

1. Input Power Level: 10 dB_m
2. DC voltage: 5 V
3. Operating Temperature: -40°C to +85°C
4. Storage Temperature: -40°C to +95°C

RoHS Compliant
Lead free
Lead-free soldering

Electrostatic Sensitive Device (ESD)

B. ELECTRICAL CHARACTERISTICS:

Input impedance (single): 50 Ω

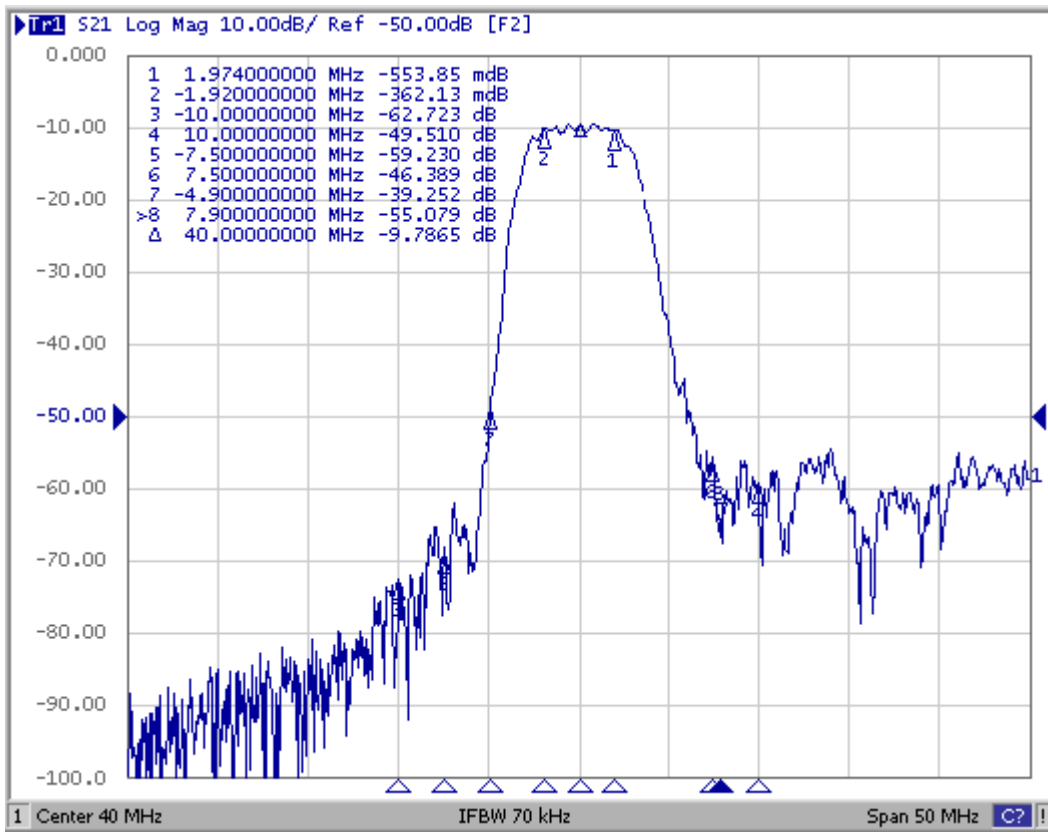
Output impedance (single): 50 Ω

Item		Specification			
		Unit	Min.	Typ.	Max.
Center Frequency	F _c	MHz	-	40	-
Insertion Loss	IL _{min} dB	dB	-	9.5	12.0
3dB Bandwidth		MHz	3.0	5.0	-
30dB Bandwidth		MHz	-	10.0	11.0
Passband Ripple (F _c -1.50MHz~F _c +1.50MHz)		dB		1.2	2.0
Group Delay Ripple (F _c -1.50MHz~F _c +1.50MHz)		nS		150	280
Stopband Attenuation(reference to IL _{min} dB)					
	F _c ±5MHz	dB	20	26	-
	27.5~32.5MHz	dB	31	40	-
	47.5~52.5MHz	dB	31	46	-
	0~30 MHz	dB	35	64	-
	50~70 MHz	dB	35	40	-

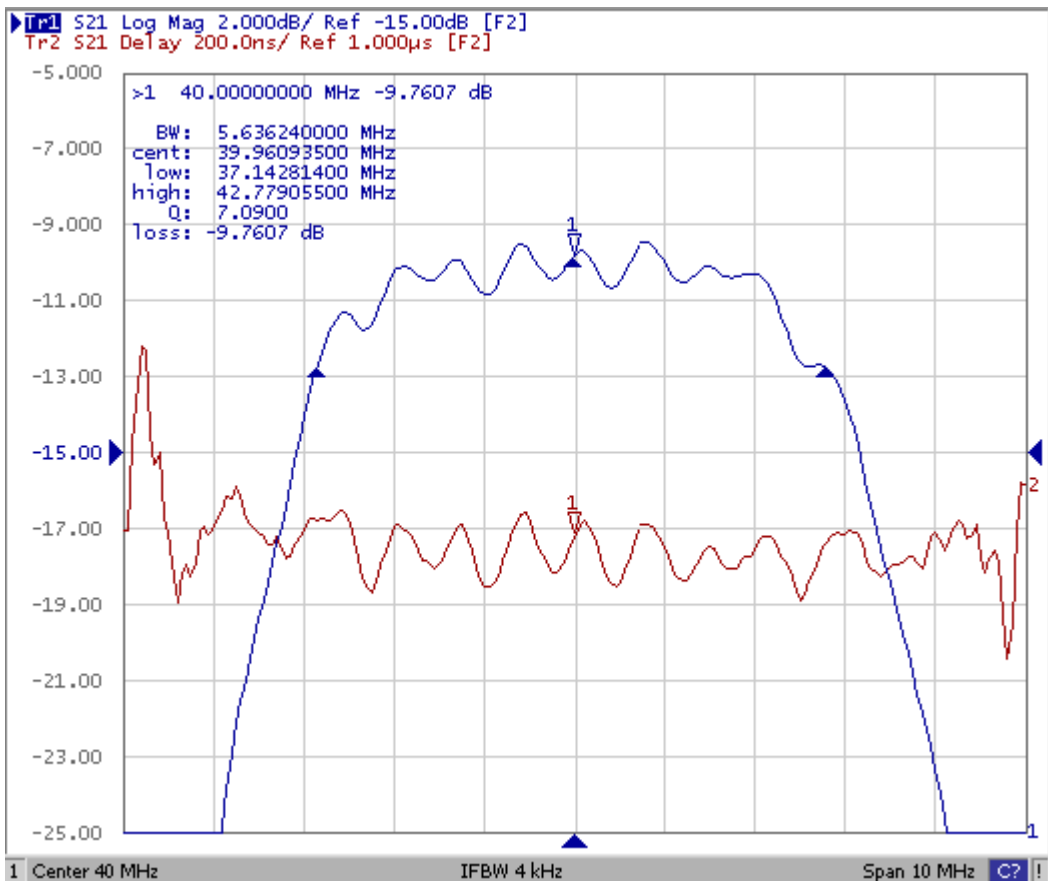
Note: IL_{min} is the minimum of the pass band attenuation. The center frequency F_c is the mean value of the upper and lower frequencies at the 3dB filter attenuation level relative to the IL_{min}.

C. Frequency Characteristics :

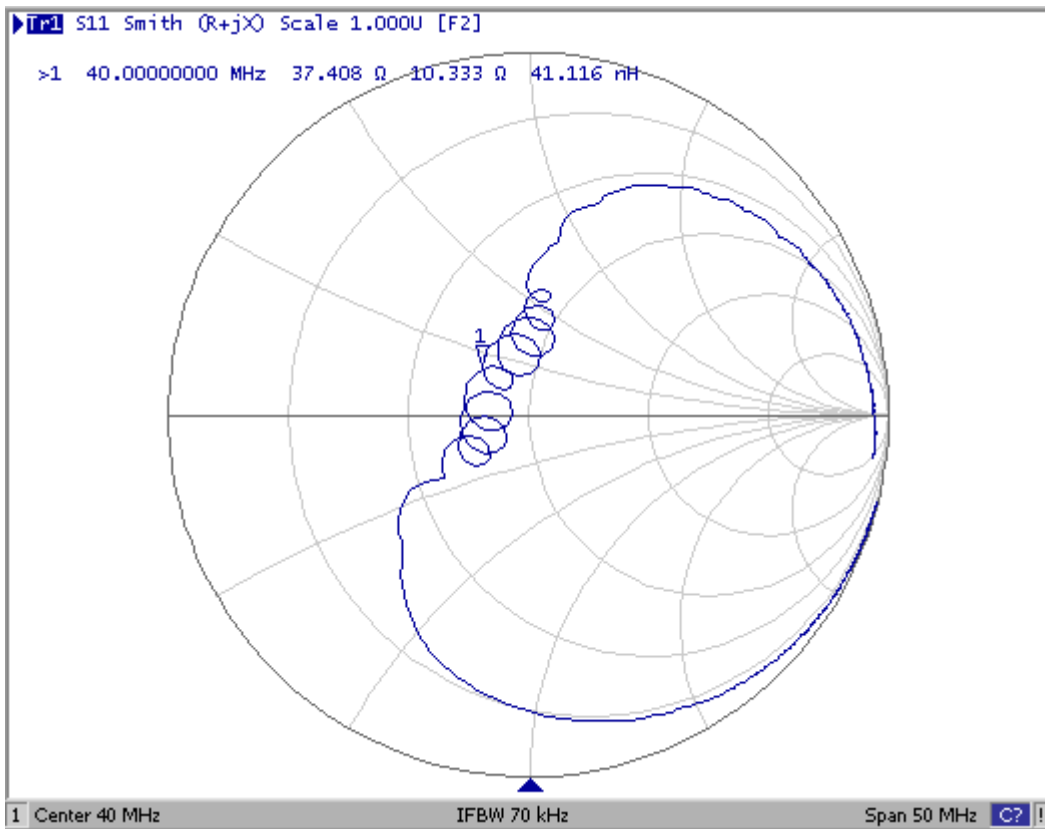
1.S21 Response: (span : 50MHz)



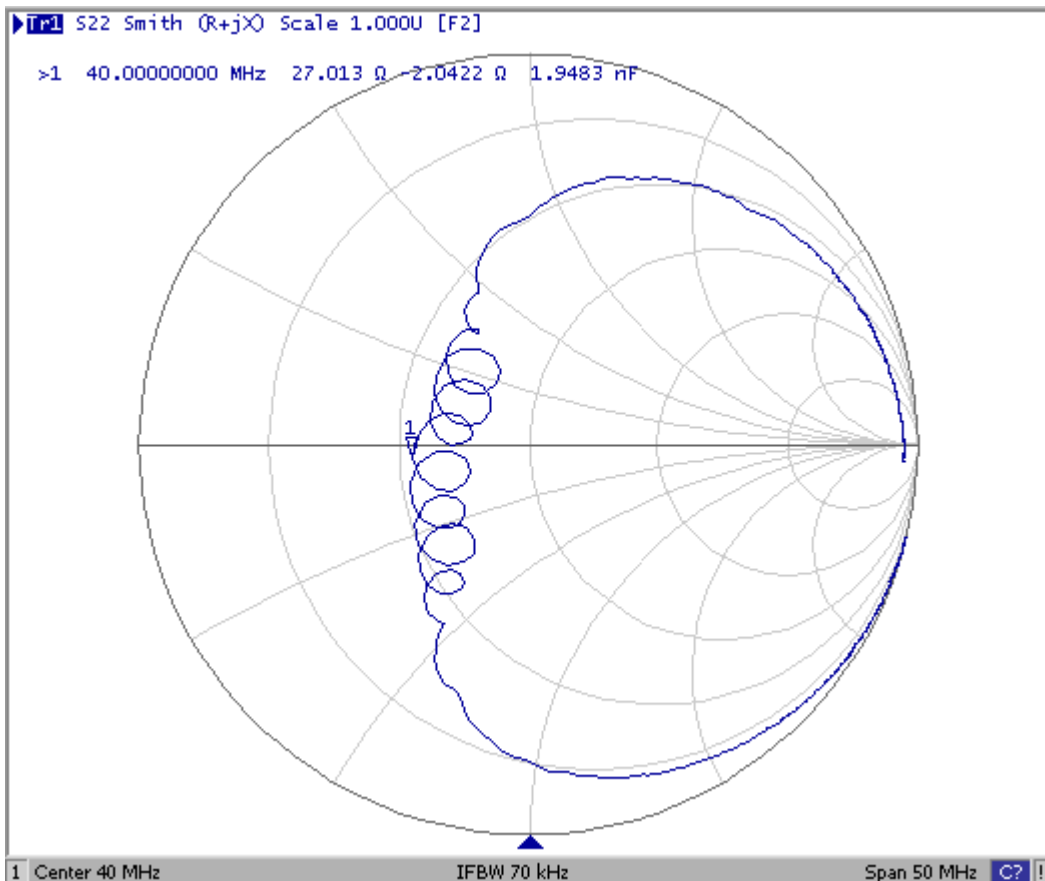
2. Pass-band Response: (span : 10MHz)



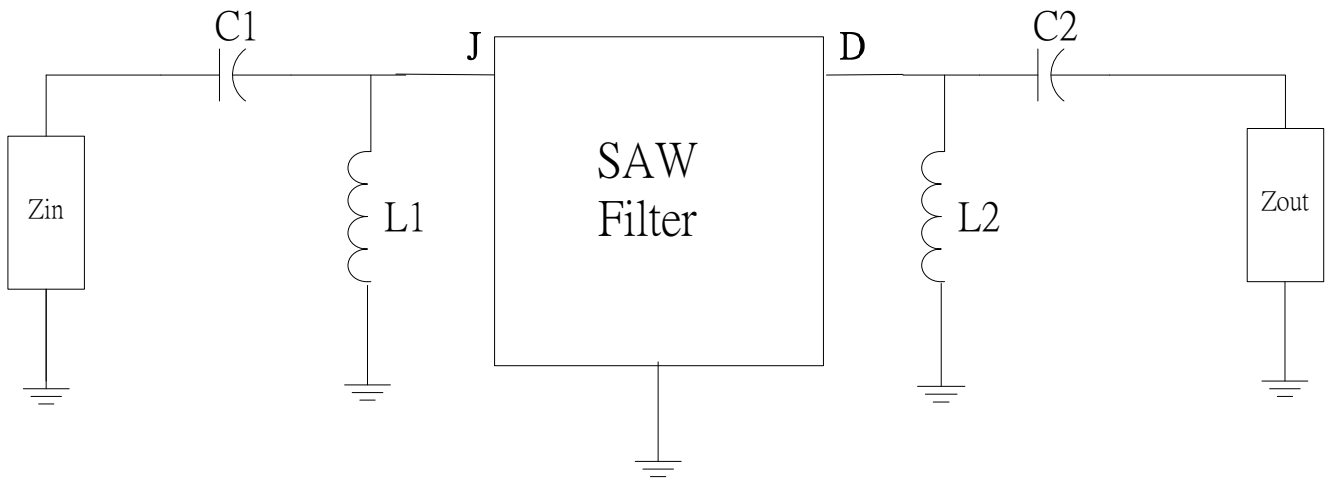
3. S11 Smith Chart: (span : 50MHz)



4. S22 Smith Chart (span : 50MHz)

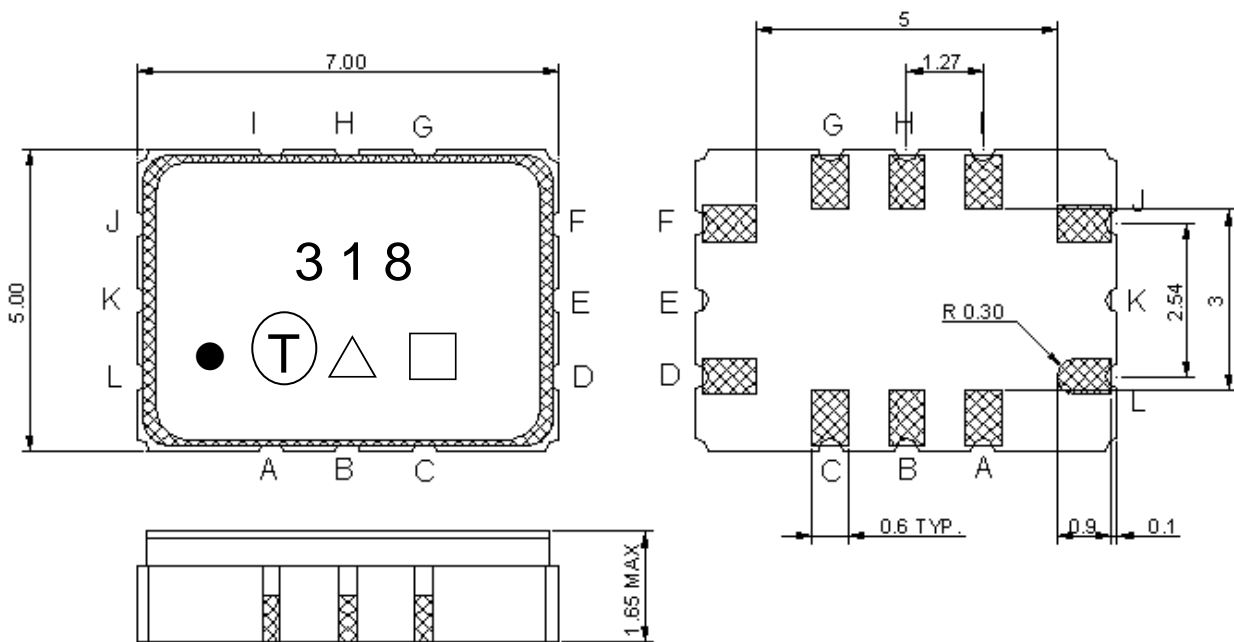


D. MEASUREMENT CIRCUIT:



L1=470nH, C1=22pF, L2=470nH, C2=22pF

E. OUTLINE DRAWING:



Pin configuration:

J: RF Input

D: RF Output

A, B, C, J, I, H, G, F: Ground

Unit: mm

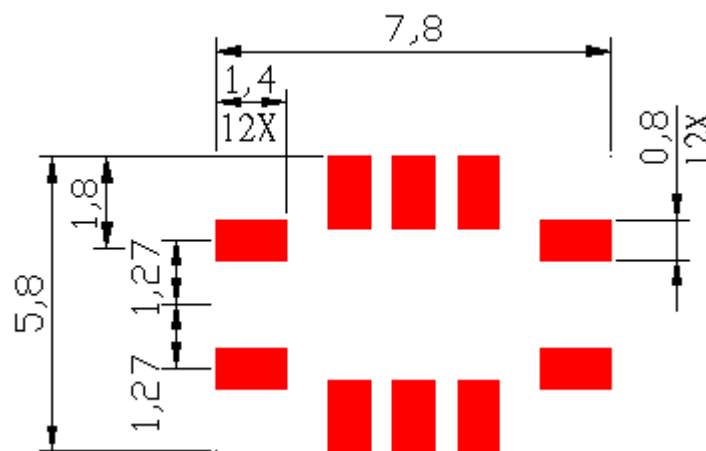
□: Week Code (Follow the table from planner each year)

Unit : mm

△ : Product / Year Code

Year	2013 2009	2014 2010	2015 2011	2016 2012
Product Code	B	b	<u>B</u>	<u>b</u>

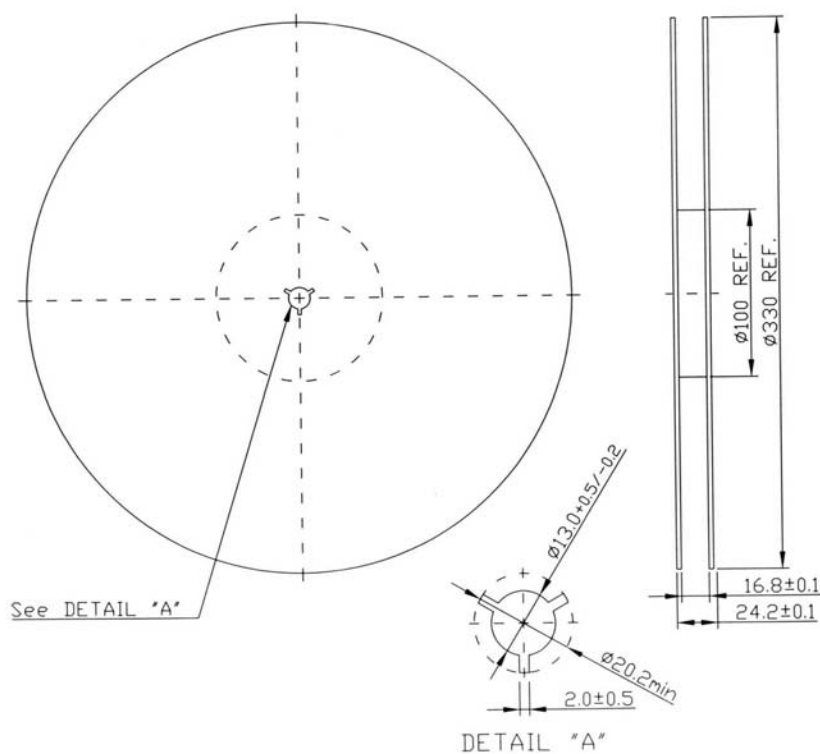
F. PCB FOOTPRINT:



G. PACKING:

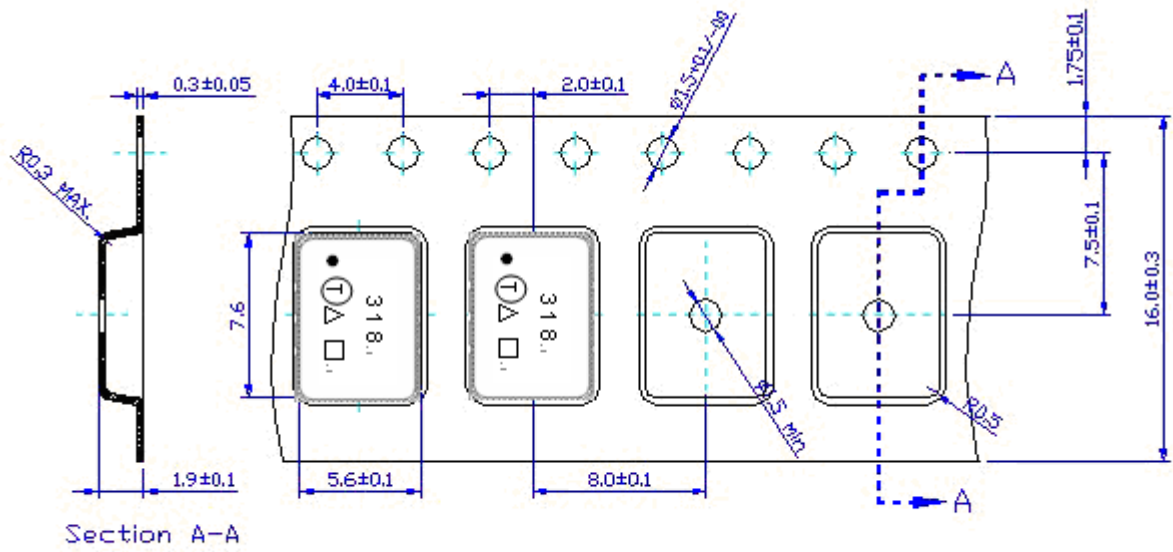
1. REEL DIMENSION

(Please refer to FR-75D10 for packing quantity)



Document

2. TAPE DIMENSION



H. RECOMMENDED REFLOW PROFILE:

