



TAI-SAW TECHNOLOGY CO., LTD.

No. 3, Industrial 2nd Rd., Ping-Chen Industrial District,
Taoyuan, 324, Taiwan, R.O.C.

TEL: 886-3-4690038 FAX: 886-3-4697532

E-mail: tstsales@mail.taisaw.com Web: www.taisaw.com

Approval Sheet For Product Specification

Issued Date:

Product Name: IF SAW Filter 64.8 MHz (SMD 13.3mmX6.5mm)

TST Parts No.:TB0395A

Customer Parts No.:_____

Company: _____
Division: _____
Approved by : _____
Date: _____

Checked by: _____ Andy Lee

Approval by: _____ Francis Chen

Date: _____ 2008/1/28



TAI-SAW TECHNOLOGY CO., LTD.

No. 3, Industrial 2nd Rd., Ping-Chen Industrial District,
Taoyuan, 324, Taiwan, R.O.C.

TEL: 886-3-4690038 FAX: 886-3-4697532

E-mail: tstsales@mail.taisaw.com Web: www.taisaw.com

IF SAW Filter 64.8 MHz SMD 13.3mmX6.5mm

MODEL NO.: TB0395A

Rev. No. 2

A. MAXIMUM RATING:

1. Operating Temperature: -30 °C ~ +60 °C
2. Storage Temperature: -40 °C ~ +85 °C
3. Input Power Level: 10dBm

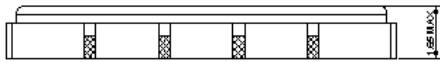
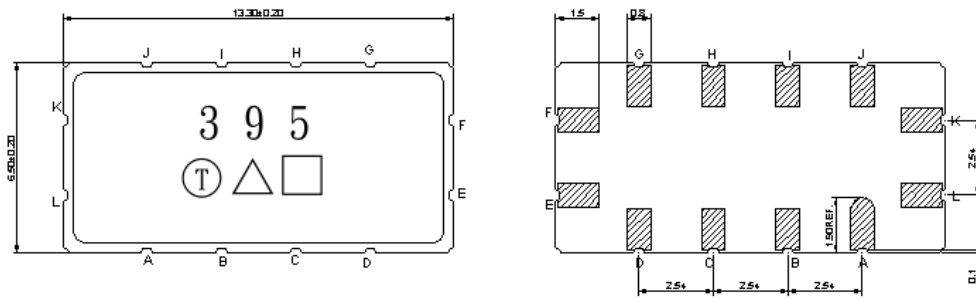
RoHS Compliant
Lead free
Lead-free soldering

B. Characteristics :

1. Ambient Temperature: 25 °

Characteristics		Value			Note.
		Min.		Max.	
Center frequency	F _c MHz	-	64.8	-	-
Maximum Insertion loss	I.L. dB	-	8.41	13.0	-
1dB Bandwidth	MHz	8.40	9.27	-	-
3dB Bandwidth	MHz	9.00	10.25	-	-
35dB Bandwidth	MHz	-	13.08	14.00	-
Passband Ripple (F _c ±4.2MHz)	MHz	-	0.66	1.00	-
Group Delay Ripple (F _c ±4.2MHz)	nS	-	120	-	-
Group Delay at F _c	uS	-	0.90	1.00	-
Phase linearity at any 200kHz B	P-P Deg	-	2.0	5.0	-
Temp Coefficient	ppm/° C	-	-94	-	-
Attenuation:(Reference level from minimum insertion loss)					
1)	10 ~ 57 MHz	dB	30	36	-
2)	57.6 MHz	dB	35	40	-
2)	73 ~ 90 MHz	dB	30	34	-
2)	90 ~ 100 MHz	dB	40	49	-
2)	100 ~ 140 MHz	dB	40	49	-

C.OUTLINE DRAWING:



Pin configuration

#K RF Input

#L RF Input ground

#E RF Output

#F RF Output ground

#A,B,C,D,G,H,I,J To be ground

□ : Week Code (Follow the table from planner each year)

Unit : mm

△ : Product / Year Code

Year	2005 2009	2006 2010	2007 2011	2008 2012
Product Code	B	b	<u>B</u>	<u>b</u>

D. Frequency Characteristics :

1. S21 Response

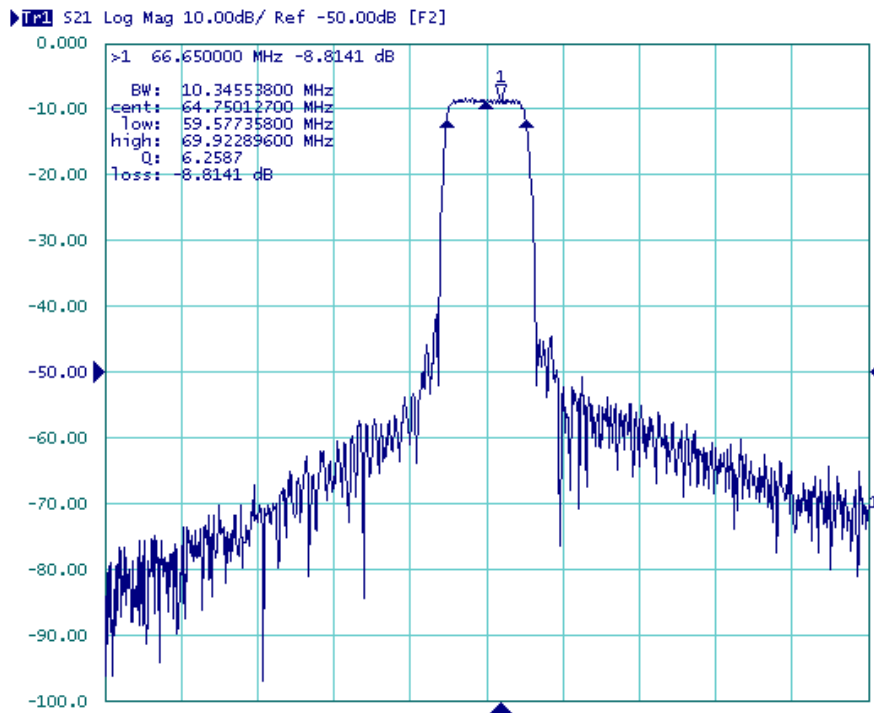


Fig1. Horizontal: 100MHz/Div Vertical: 10dB/Div

2. Pass band Ripple and Group Delay Ripple

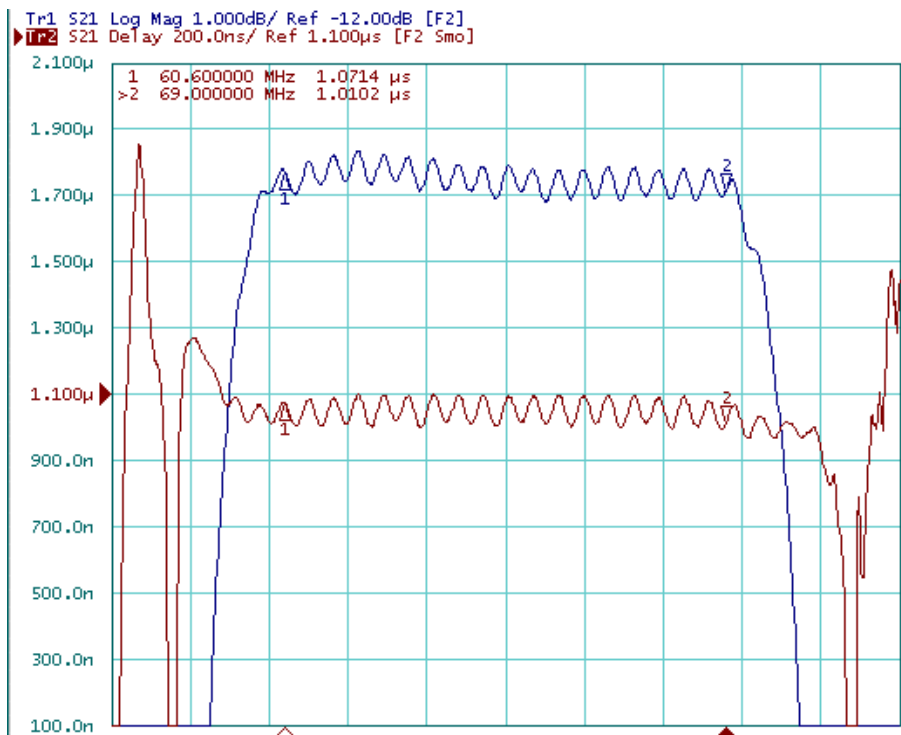
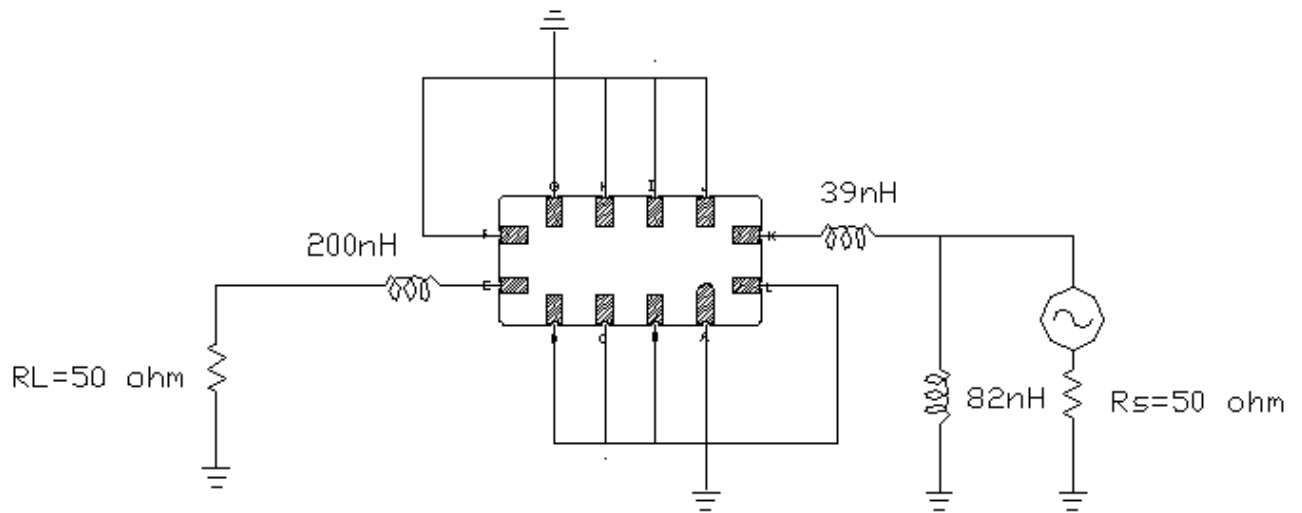
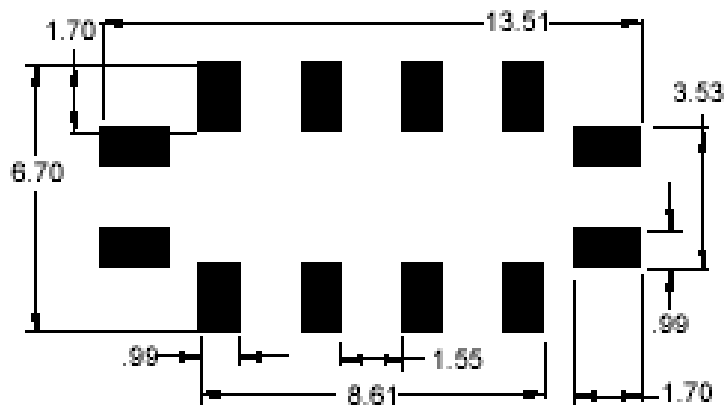


Fig2. Horizontal: 1.5MHz/Div; Vertical: 1dB/Div,
Vertical: 200nS/Div,

E. TEST FIXTURE :

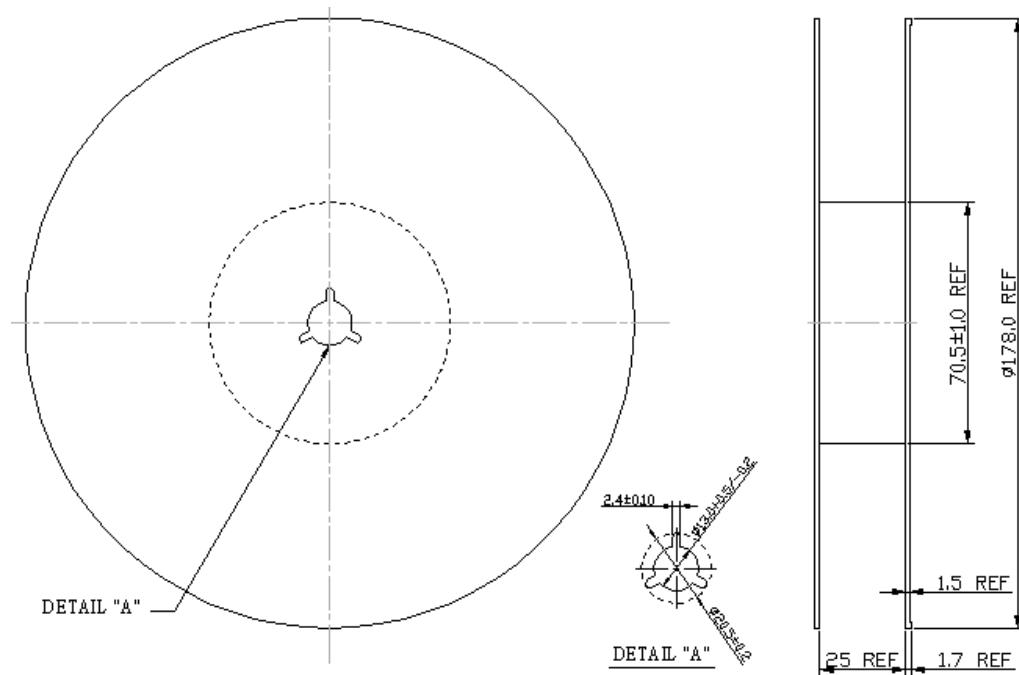


F. PCB FOOTPRINT

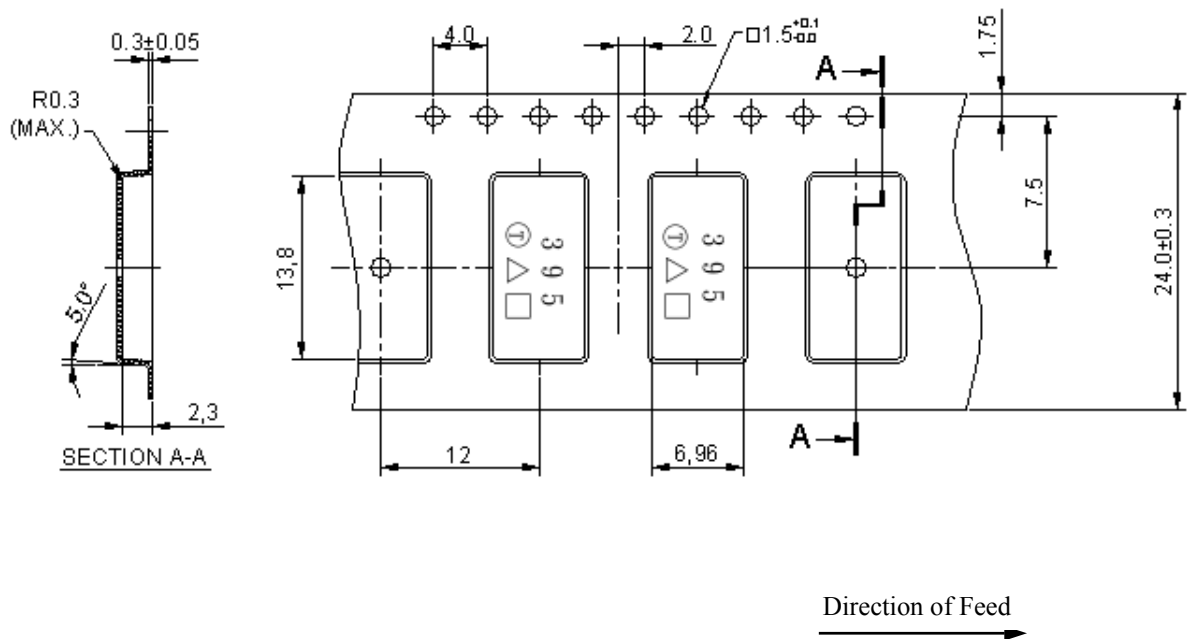


G. PACKING:

1. REEL DIMENSION



2. TAPE DIMENSION



H. RECOMMENDED REFLOW PROFILE_:

