



# TAI-SAW TECHNOLOGY CO., LTD.

No. 3, Industrial 2nd Rd., Ping-Chen Industrial District,  
Tao-Yuan, 324, Taiwan, R.O.C.

TEL: 886-3-4690038 FAX: 886-3-4697532

E-mail: [tstsales@mail.taisaw.com](mailto:tstsales@mail.taisaw.com) Web: [www.taisaw.com](http://www.taisaw.com)

## Approval Sheet for Product Specification

Issued Date:

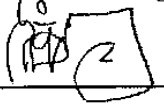
Product Name: 60MHz IF SAW Filter (BW=9.6MHz)

TST Parts No.: TB0635A

Customer Parts No.: \_\_\_\_\_

Company: _____
Division: _____
Approved by : _____
Date: _____

Checked by: \_\_\_\_\_ Kazuma Lee 

Approval by: \_\_\_\_\_ Francis Chen 

Date: \_\_\_\_\_ 07/14/2008



# TAI-SAW TECHNOLOGY CO., LTD.

No.3, Industrial 2nd Rd., Ping-Chen Industrial District, Taoyuan, Taiwan, R.O.C.

TEL: 886-3-4690038 FAX: 886-3-4697532

E-mail: [tstsales3@mail.taisaw.com](mailto:tstsales3@mail.taisaw.com) Web: [www.taisaw.com](http://www.taisaw.com)

SAW Filter 60MHz 9.6 MHz BW (SMD 13.3×6.5 mm)

MODEL NO.: TB0635A

Rev No.1

## A. MAXIMUM RATING:

- 1.Storage Temperature: -40°C to 85°C
- 2.Operating Temperature: -40°C to 85°C
- 3.Maximum Input Power : 10dBm
- 4.Maximum DC Voltage : 10V

RoHS Compliant  
Lead free  
Lead-free soldering

## B. Characteristics :

1. Ambient Temperature: 25 °C

Item	Unit	Min.	Type.	Max.
Center frequency, Fc	MHz	-	60.0	-
Insertion Loss, IL	dB	-	10.5	14.0
1 dB Bandwidth	MHz	9.6	10.9	-
3 dB Bandwidth	MHz	-	11.6	-
25 dB Bandwidth	MHz	-	13.8	16.0
40 dB Bandwidth	MHz	-	14.7	18.0
Pass band Ripple Fc±4.8MHz	P-P dB	-	0.5	1.2
VSWR Fc±4.8MHz	P-P dB	-	4.0	5.0
Group delay Variation Fc±4.8MHz	P-P nsec	-	40	150
Triple Transit Suppression	dB	40	45	-
Power Handling	dBm	10	-	-
Temp Coefficient	ppm/K	-	-94	-

## C. FREQUENCY CHARACTERISTICS :

### 1.S21 Response

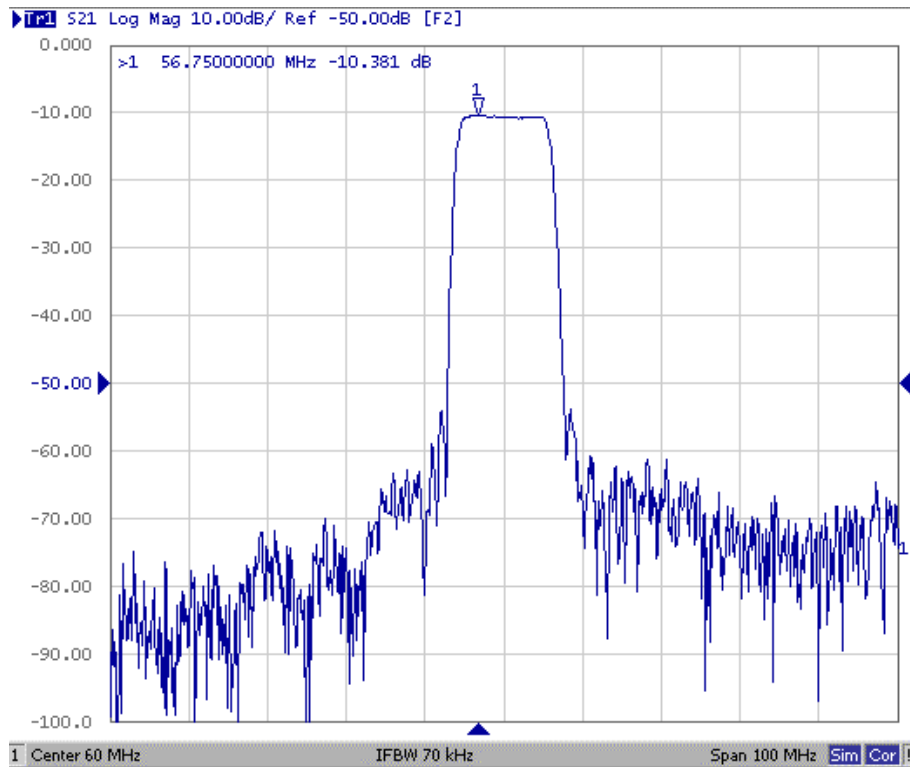


Fig1. Horizontal: 10MHz/Div Vertical: 10dB/Div

### 2. Passband Ripple & Group delay variation

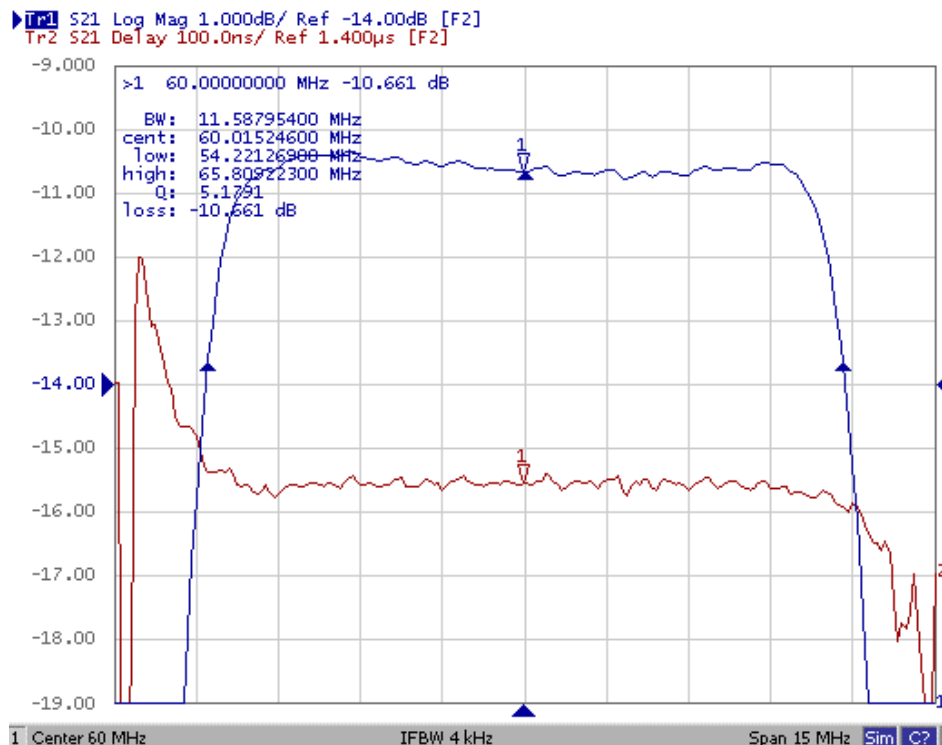
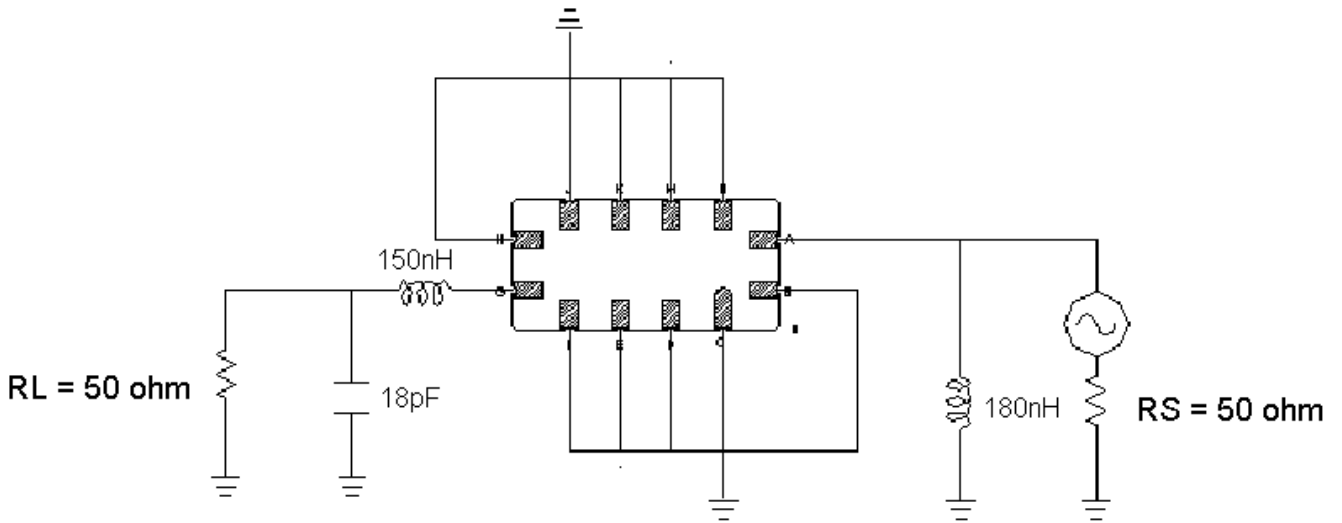


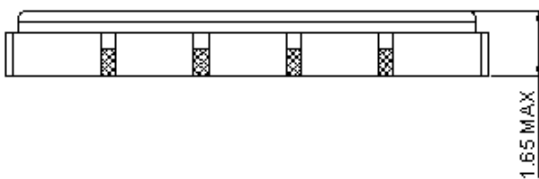
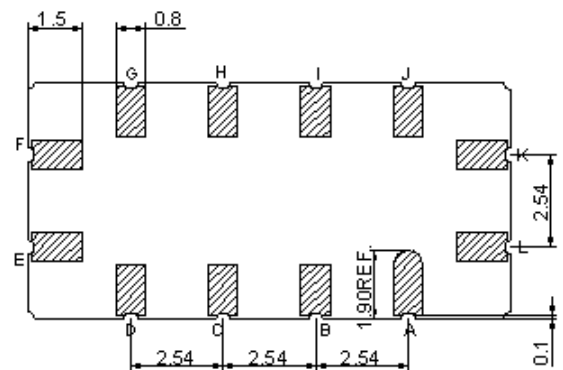
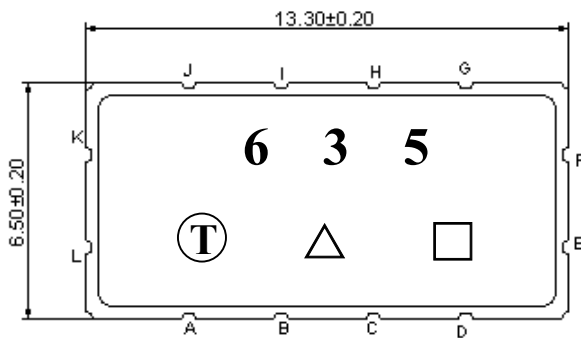
Fig2. Horizontal: 1.5MHz/Div Vertical: 1dB/Div  
Vertical: 100nS/Div

## D. MEASUREMENT CIRCUIT

### 1. Single ended input 50 ohm to Single ended Output 50 ohm



## E. OUTLINE DRAWING:



Pin K : RF Input

Pin E : RF Output

Pin A, B, C, D, F, G, H, I, J, L : Ground

Unit: mm

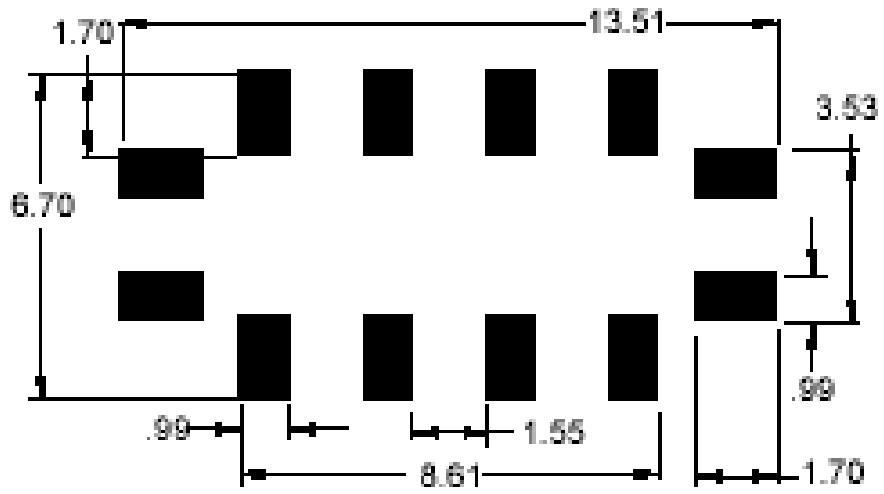
□ : Week Code (Follow the table from planner each year)

△ : Product / Year Code

Year	2005 2009	2006 2010	2007 2011	2008 2012
Product Code	B	b	<u>B</u>	<u>b</u>

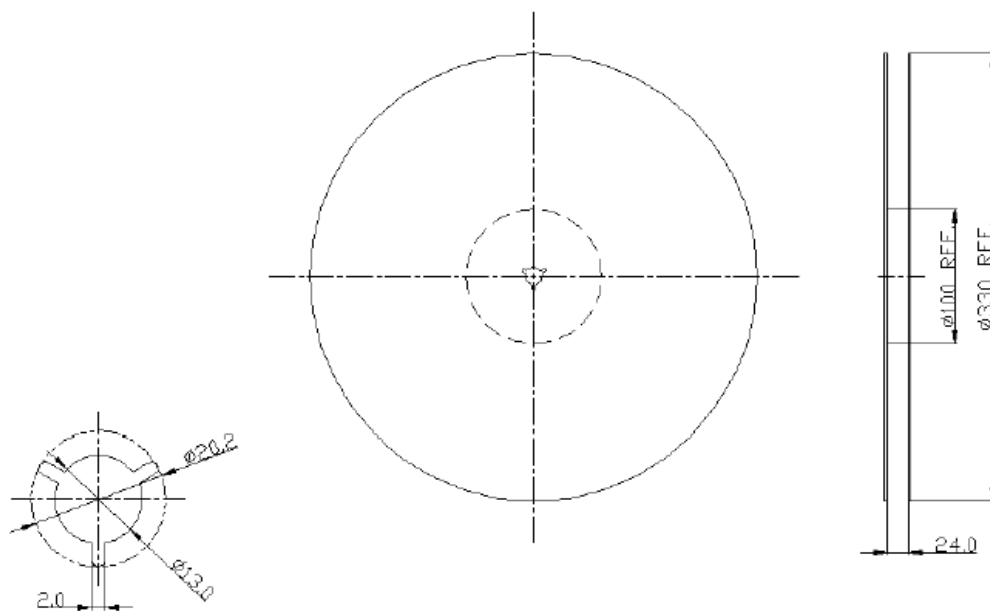
## F. PCB Footprint

Unit: mm



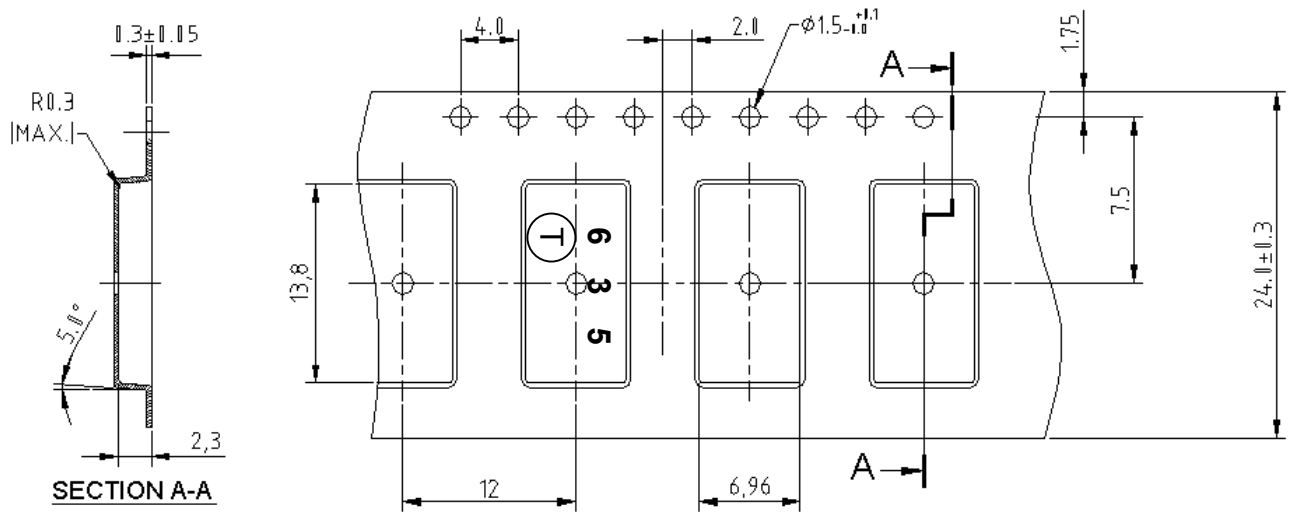
## G. PACKING:

### 1. REEL DIMENSION



Unit: mm

## 2. TAPE DIMENSION



## H. RECOMMENDED REFLOW PROFILE :

