



# TAI-SAW TECHNOLOGY CO., LTD.

No. 3, Industrial 2nd Rd., Ping-Chen Industrial District,  
Taoyuan, 324, Taiwan, R.O.C.

TEL: 886-3-4690038 FAX: 886-3-4697532

E-mail: [ttsales@mail.taisaw.com](mailto:ttsales@mail.taisaw.com) Web: [www.taisaw.com](http://www.taisaw.com)

## Approval Sheet For Product Specification

Issued Date:

Product Name: SAW Resonator 303.875MHz

TST Parts No.: TC0140E

Customer Parts No.: \_\_\_\_\_

Company: _____
Division: _____
Approved by : _____
Date: _____

Checked by: YJ Tien

Approval by: Francis Chen

Date: 1,28,2003



# TAI-SAW TECHNOLOGY CO., LTD.

No. 3, Industrial 2nd Rd., Ping-Chen Industrial District,  
Taoyuan, 324, Taiwan, R.O.C.

TEL: 886-3-4690038 FAX: 886-3-4697532  
E-mail: [tstsales@mail.taisaw.com](mailto:tstsales@mail.taisaw.com) Web: [www.taisaw.com](http://www.taisaw.com)

SAW Resonator 303.875 MHz  
MODEL NO.: TC0140E

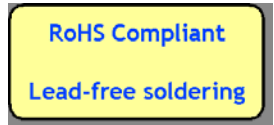
REV. NO.:2

## A. FEATURES:

- 1-Port Resonator.

## B. MAXIMUM RATING:

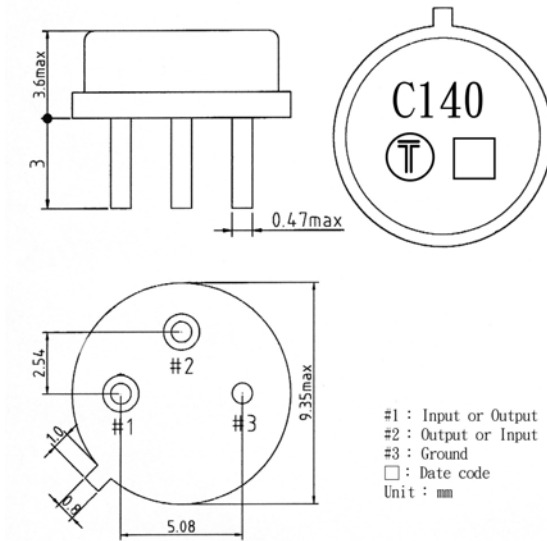
- Power Dissipation: 0 dBm.
- DC voltage: 12 V.
- Storage Temperature: -40 °C to 85 °C.
- Operating Temperature:-40 °C to 85 °C



## C. ELECTRICAL CHARACTERISTICS:

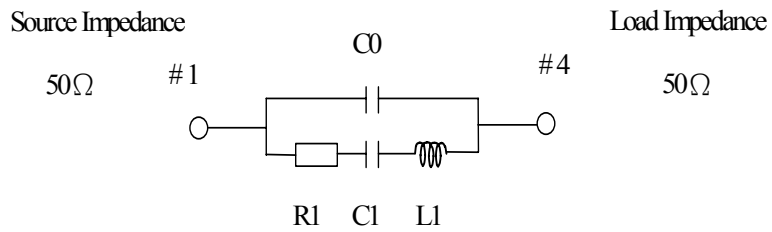
Characteristic	Units	Minimum	Typical	Maximum
Center frequency <b>Fr</b>	<b>MHz</b>	303.800	303.875	303.950
Insertion Loss <b>IL</b>	<b>dB</b>		1.5	2.5
Unloaded Quality factor		6000		
Ageing of Fc	<b>ppm</b>		10	10/year
Equivalent Elements				
Motional capacitance <b>C1</b>	<b>fF</b>		3.080	
Motional inductance <b>L1</b>	<b>μH</b>		89.248	
Motional resistance <b>R1</b>	<b>Ohm</b>		19.596	
Parallel capacitance <b>Co</b>	<b>pF</b>		4.85	
Temp.coeff.	<b>ppm/c*2</b>		0.032	
Turnover To	<b>deg.C</b>		40	
Package size		TO-39		

D.OUTLINE DRAWING:

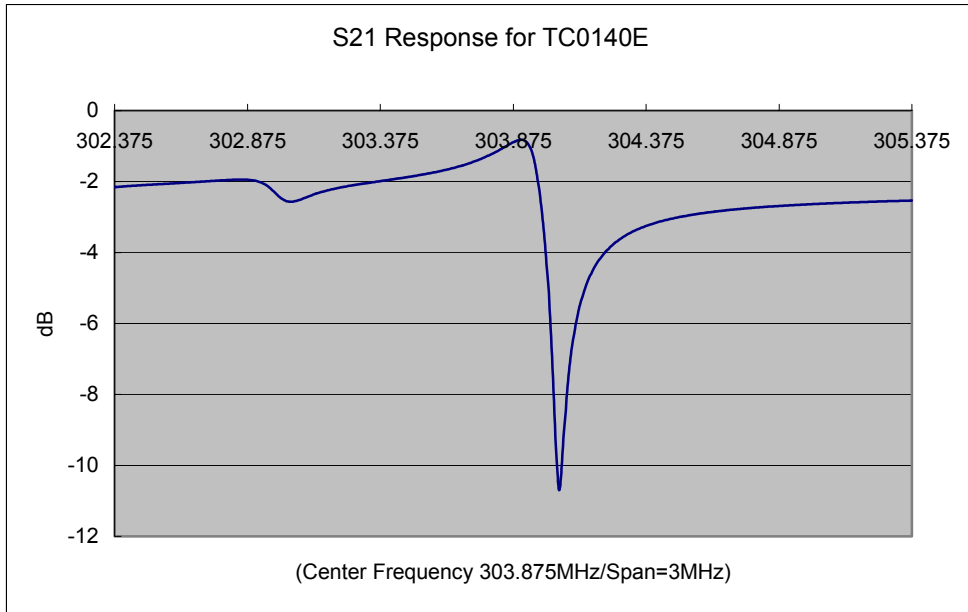


E.EQUIVRENT CIRCUIT:

One-Port Resonator:



F.FREQUENCY CHARACTERISTICS:



G. TEST CIRCUIT:

