



TAI-SAW TECHNOLOGY CO., LTD.

No. 3, Industrial 2nd Rd., Ping-Chen Industrial District,
Taoyuan, 324, Taiwan, R.O.C.

TEL: 886-3-4690038 FAX: 886-3-4697532

E-mail: tstsales@mail.taisaw.com Web: www.taisaw.com

Approval Sheet For Product Specification

Issued Date:

Product Name: SAW Resonator 315.500 MHz SMD 5X5 mm

TST Parts No.: TC0213A

Customer Parts No.: _____

Company: _____
Division: _____
Approved by : _____
Date: _____

Checked by: Vincent Liu

Approval by: Francis Chen

Date: 2003/1/23



TAI-SAW TECHNOLOGY CO., LTD.

No. 3, Industrial 2nd Rd., Ping-Chen Industrial District,
Taoyuan, 324, Taiwan, R.O.C.

TEL: 886-3-4690038 FAX: 886-3-4697532

E-mail: tstsales@mail.taisaw.com Web: www.taisaw.com

SAW Resonator 315.500 MHz

MODEL NO.: TC0213A

REV. NO.:2

A. FEATURES:

1. 1-Port Resonator.

B. MAXIMUM RATING:

1. Input Power Level: 0 dBm

2. DC voltage: 12 V

3. Operating Temperature: -40°C to +85°C

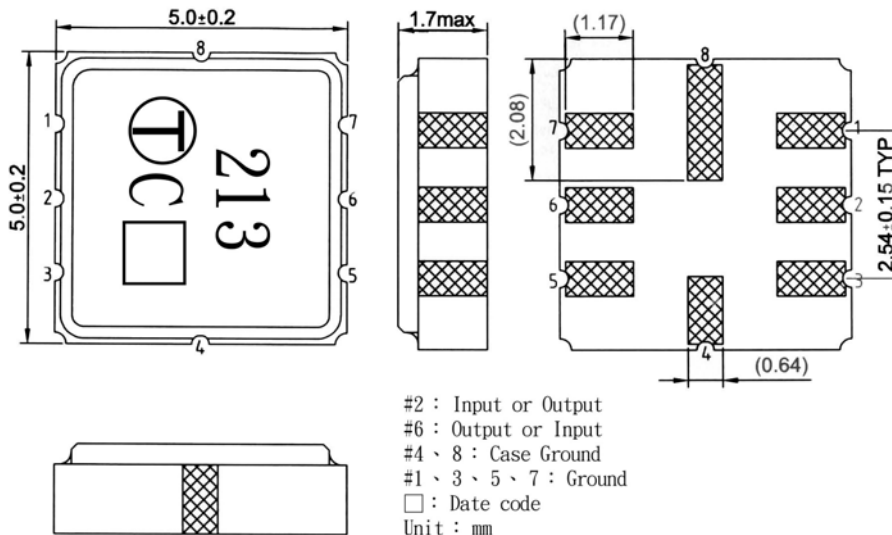
4. Storage Temperature: -40°C to +85°C

C. ELECTRICAL CHARACTERISTICS:

Characteristic	Units	Minimum	Typical	Maximum
Center frequency Fr	MHz	315.425	315.500	315.575
Insertion Loss IL	dB	-	1.6	2.5
Unloaded Quality factor, Q_U		-	7800	-
Loaded Quality factor, Q_L		-	1300	-
Equivalent Circuit Elements				
Motional capacitance C1	fF	-	3.18	-
Motional inductance L1	μH	-	80.36	-
Motional resistance R1	Ohm	-	24.50	-
Parallel capacitance Co	pF	-	4.76	-
Temp.coeff.	ppm/c*2	-	0.032	-
Turnover To	deg.C	-	25	-
Package size		SMD 5X5X1.4mm		

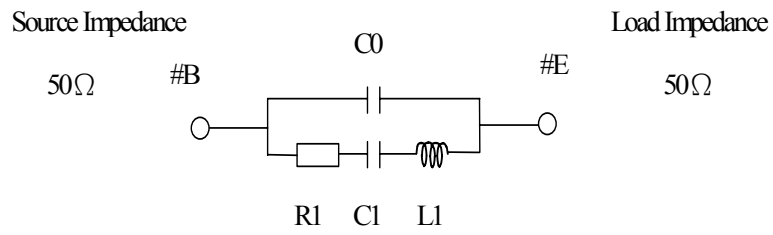
RoHS Compliant
Lead free
Lead-free soldering

D. OUTLINE DRAWING:

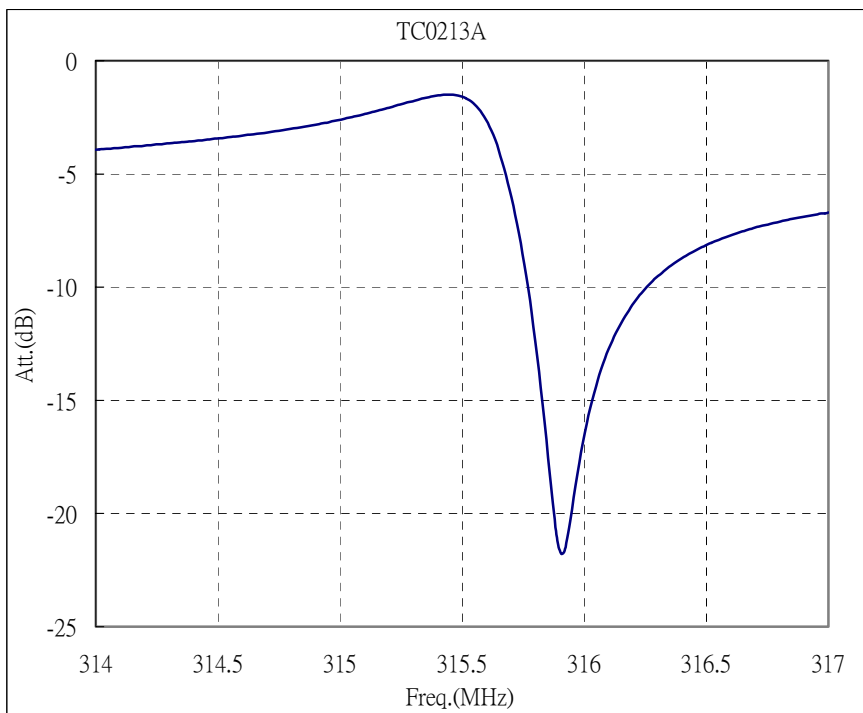


E. EQUIVRENT CIRCUIT:

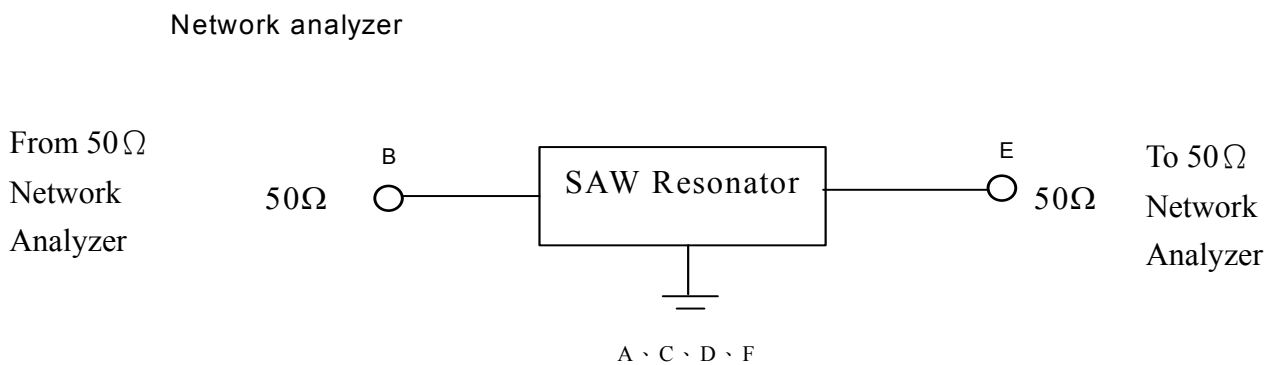
One-Port Resonator:



F. FREQUENCY CHARACTERISTICS:

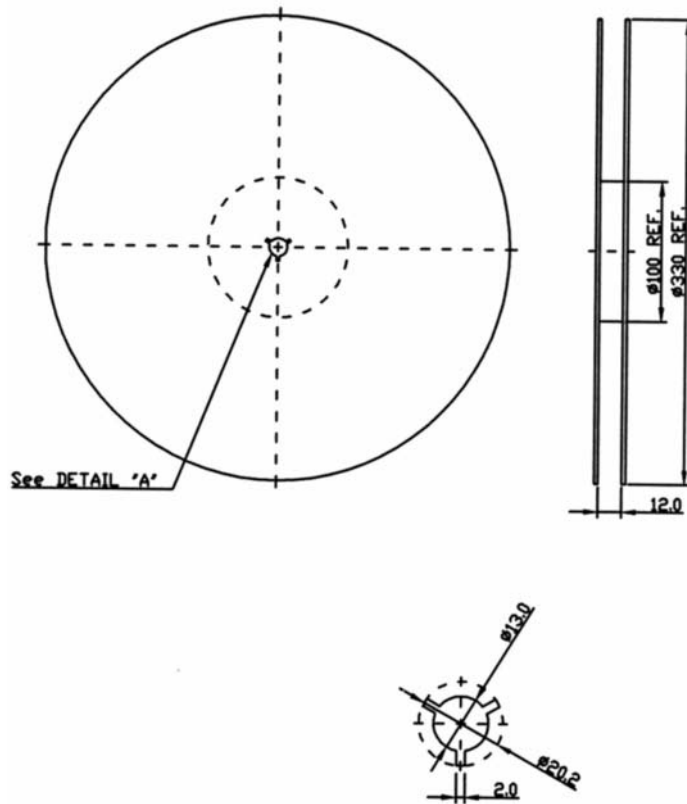


G. TEST CIRCUIT:

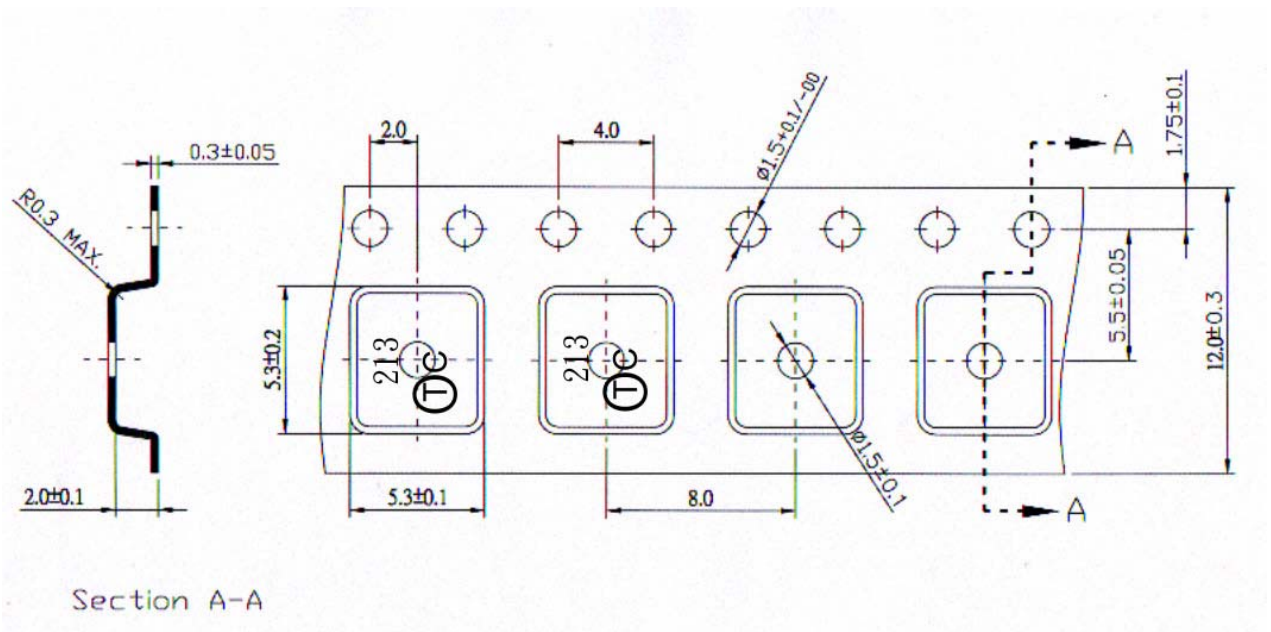


H. PACKING:

1. REEL DIMENSION



2. TAPE DIMENSION



Section A-A