



TAI-SAW TECHNOLOGY CO., LTD.

No. 3, Industrial 2nd Rd., Ping-Chen Industrial District,
Taoyuan, 324, Taiwan, R.O.C.

TEL: 886-3-4690038 FAX: 886-3-4697532

E-mail: tstsales@mail.taisaw.com Web: www.taisaw.com

Approval Sheet For Product Specification

Issued Date:

Product Name: SAW Resonator 316 MHz TO-39

TST Parts No.: TC0418A

Customer Parts No.: _____

Company: _____
Division: _____
Approved by : _____
Date: _____

Checked by: Paul Ni

Approval by: Francis Chen

Date: 2007/11/20



TAI-SAW TECHNOLOGY CO., LTD.

No. 3, Industrial 2nd Rd., Ping-Chen Industrial District,
Taoyuan, 324, Taiwan, R.O.C.

TEL: 886-3-4690038 FAX: 886-3-4697532

E-mail: tstsales@mail.taisaw.com Web: www.taisaw.com

SAW Resonator 316 MHz

MODEL NO.: TC0418A

REV. NO.:1

A. FEATURES:

1. 1-Port Resonator.

B. MAXIMUM RATING:

1. Input Power Level: 10 dBm

2. DC voltage: 5 V

3. Operating Temperature: -20°C to +85°C

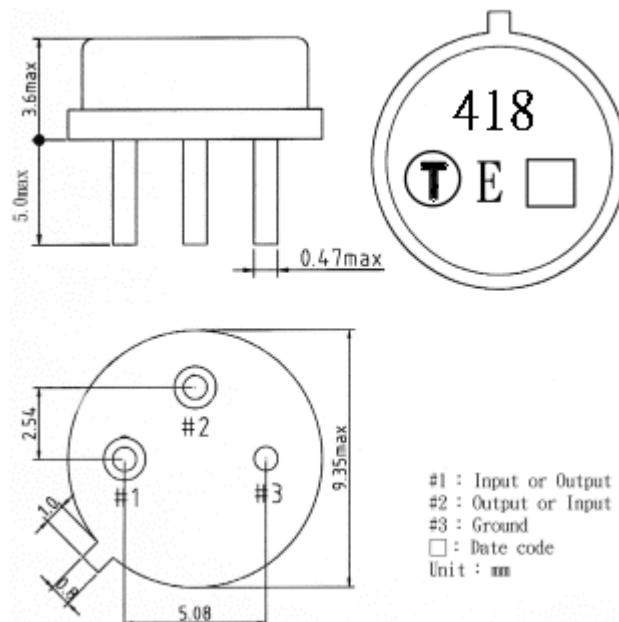
4. Storage Temperature: -40°C to +85°C

C. ELECTRICAL CHARACTERISTICS:

Characteristic	Units	Minimum	Typical	Maximum
Center frequency Fr	MHz	315.925	316	316.075
Insertion Loss IL	dB	-	1.1	2.0
Equivalent Elements				
Motional capacitance C1	fF	-	2.62	-
Motional inductance L1	μH	-	96.94	-
Motional resistance R1	Ohm	-	14.14	-
Parallel capacitance Co	pF	-	3.52	-
Temp.coeff.	ppm/c*2	-	0.032	-
Turnover To	deg.C	-	35	-
Package size		TO-39		

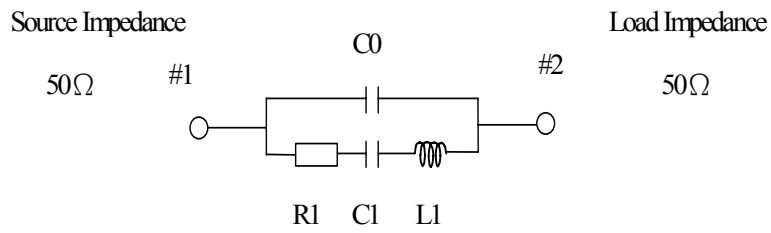


D. OUTLINE DRAWING:



E. EQUIVARENT CIRCUIT:

One-Port Resonator:

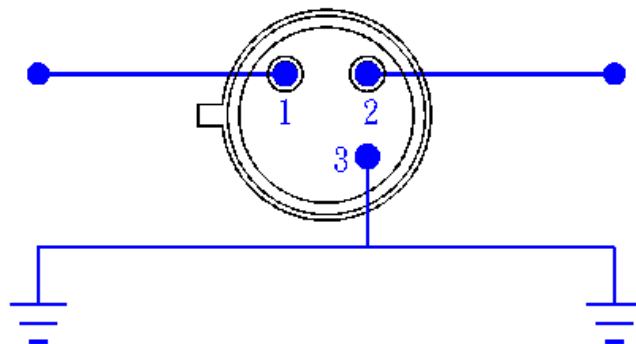


F. FREQUENCY CHARACTERISTICS:



G. TEST CIRCUIT:

From 50Ω
Network
Analyzer



To 50Ω
Network
Analyzer