



TAI-SAW TECHNOLOGY CO., LTD.

No. 3, Industrial 2nd Rd., Ping-Chen Industrial District,
Taoyuan, 324, Taiwan, R.O.C.

TEL: 886-3-4690038 FAX: 886-3-4697532

E-mail: tstsales@mail.taisaw.com Web: www.taisaw.com

Approval Sheet For Product Specification

Issued Date:

Product Name: SAW Resonator 315MHz

TST Parts No.: TC315E2

Customer Parts No.: _____

Company: _____
Division: _____
Approved by : _____
Date: _____

Checked by: YJ Tien

Approval by: Francis Chen

Date: 1,28,2003



TAI-SAW TECHNOLOGY CO., LTD.

No. 3, Industrial 2nd Rd., Ping-Chen Industrial District,
Taoyuan, 324, Taiwan, R.O.C.

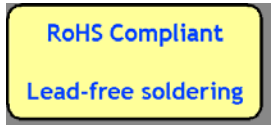
TEL: 886-3-4690038 FAX: 886-3-4697532
E-mail: tstsales@mail.taisaw.com Web: www.taisaw.com

SAW Resonator 315 MHz
MODEL NO.: TC315E2

REV. NO.:3

A. Features :

1. One-port Resonator.



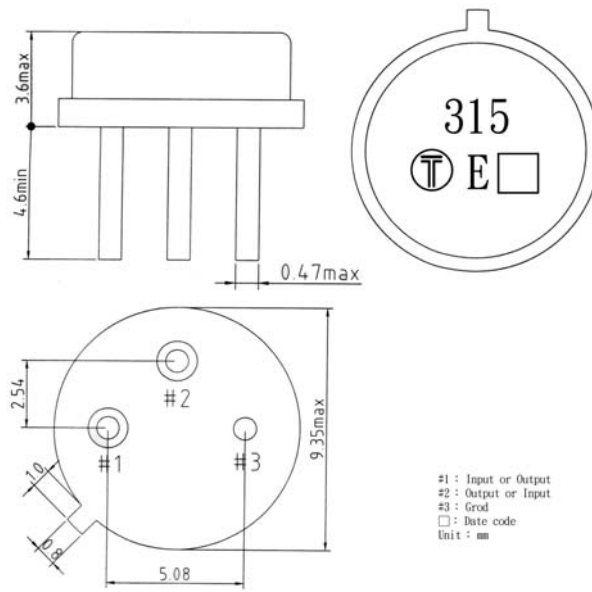
B. MAXIMUM RATING :

1. Power Dissipation : 0dBm.
2. DC voltage : 12 V.
3. Storage Temperature : -40 °C to +85 °C
4. Operating Temperature : -20 °C to +85 °C
5. Turnover Temperature : 35 °C Typ
6. Frequency Temperature Coefficient : 0.032 ppm/°C²

C. ELECTRICAL CHARACTERISTICS :

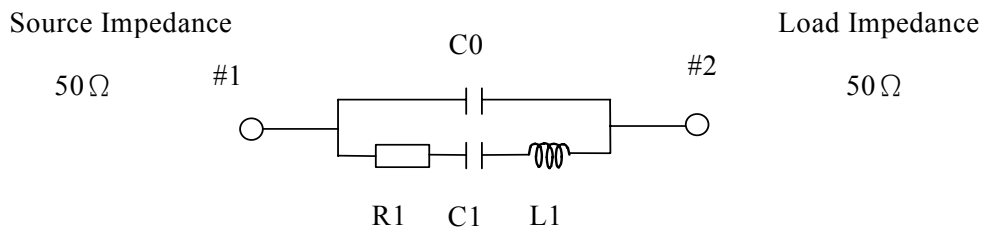
Characteristic	Units	Minimum	Typical	Maximum
Center frequency Fr	MHz	314.925	—	315.075
Insertion Loss IL	dB	—	1.5	2.5
Equivalent circuit elements				
Parallel capacitance Co	pF	2.1	2.8	3
Motional resistance R1	Ohm	—	13.8	29
Motional inductance L1	μH	—	90	—
Motional capacitance C1	fF	—	2.8	—

D. OUTLIN DRAWING :

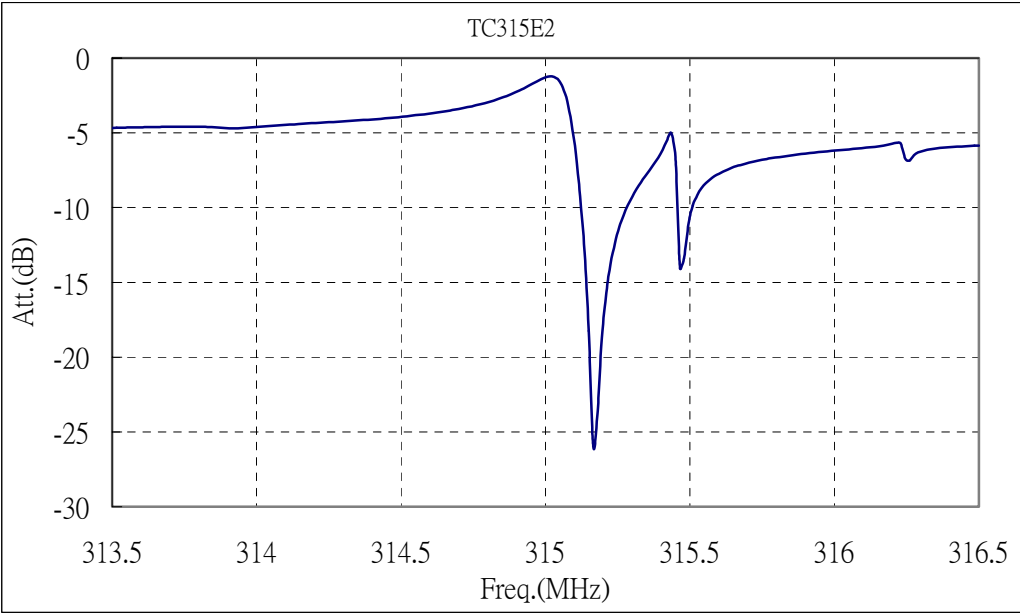


E. EQUVIRENT CIRCUIT :

One-Port Resonator:



F. FREQUENCY CHARACTERISTICS :



G. TEST CIRCUIT :

