



TAI-SAW TECHNOLOGY CO., LTD.

No. 3, Industrial 2nd Rd., Ping-Chen Industrial District,
Taoyuan, 324, Taiwan, R.O.C.

TEL: 886-3-4690038 FAX: 886-3-4697532

E-mail: tstsales@mail.taisaw.com Web: www.taisaw.com

Approval Sheet For Product Specification

Issued Date:

Product Name: One-Port SAW Resonator 355MHz, SMD5x5

TST Parts No.: TC355ED-A

Customer Parts No.: _____

Company: _____
Division: _____
Approved by : _____
Date: _____

Checked by: Paul Ni

Approval by: Francis Chen

Date: Sep. 28. 2006



TAI-SAW TECHNOLOGY CO., LTD.

No. 3, Industrial 2nd Rd., Ping-Chen Industrial District,
Taoyuan, 324, Taiwan, R.O.C.

TEL: 886-3-4690038 FAX: 886-3-4697532

E-mail: tstsales@mail.taisaw.com Web: www.taisaw.com

SAW Resonator 355 MHz

MODEL NO.: TC355ED-A

REV. NO.:2

A. FEATURES:

1. One-Port Resonator.

RoHS Compliant
Lead free
Lead-free soldering

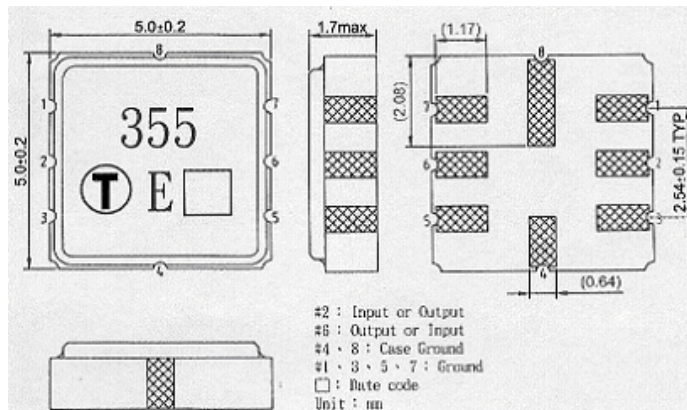
B. MAXIMUM RATING:

1. Power Dissipation : 0 dBm
2. DC voltage : 12 V
3. Storage Temperature : -40°C to +85°C
4. Operating Temperature : -40°C to +85°C

C. ELECTRICAL CHARACTERISTICS:

Characteristic	Units	Minimum	Typical	Maximum
Center frequency Fr	MHz	354.925	355	355.075
Insertion Loss IL	dB	-	1.4	2.5
Unloaded Quality factor		-	15000	-
Ageing of Fc	ppm	-	-	10/year
Equivalent Elements				
Motional Capacitance C1	fF	3.8	2.2	-
Motional Inductance L1	μH	-	91.6	-
Motional Resistance R1	Ohm	-	17	31
Parallel Capacitance Co	PF	-	3.8	-
Temp.coeff.	ppm/c*2	-	0.032	-
Turnover To	deg.C	25	-	55
Package size		SMD5X5X1.7mm		

D. OUTLIN DRAWING:

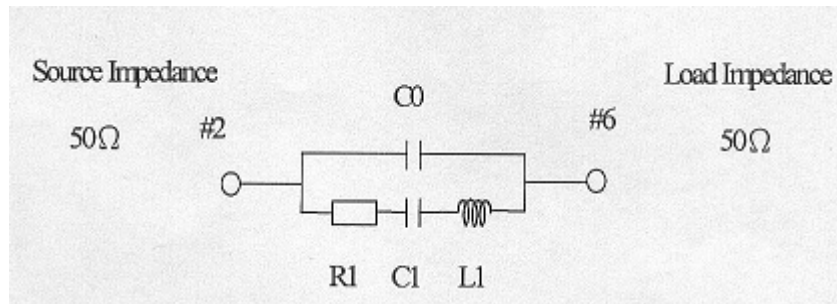


TAI-SAW TECHNOLOGY CO., LTD.

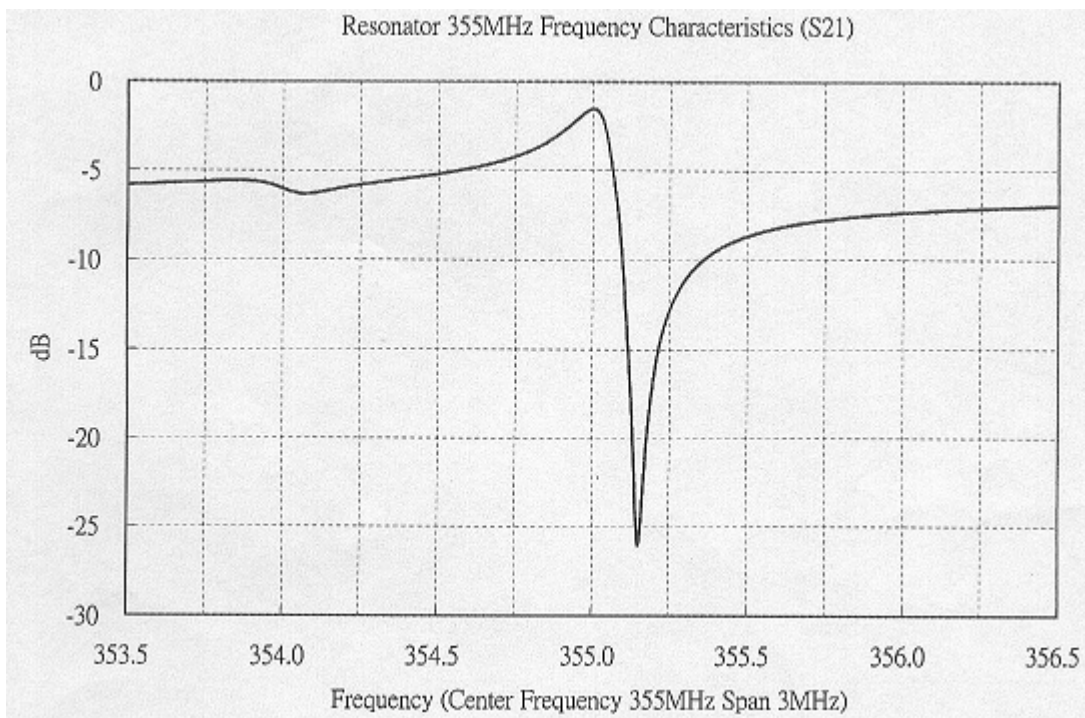
TST DCC
Release document

E. EQUVIRENT CIRCUIT:

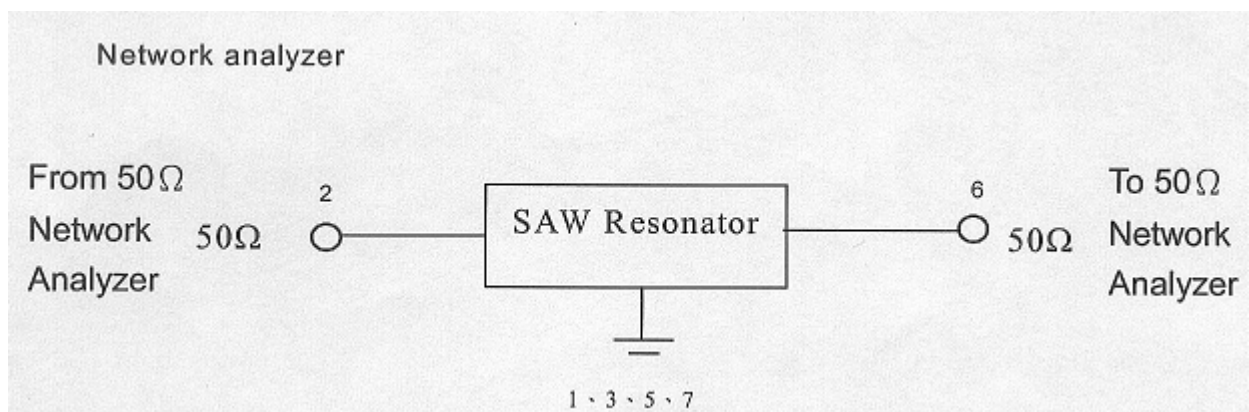
One-Port Resonator:



F. FREQUENCY CHARACTERISTICS:

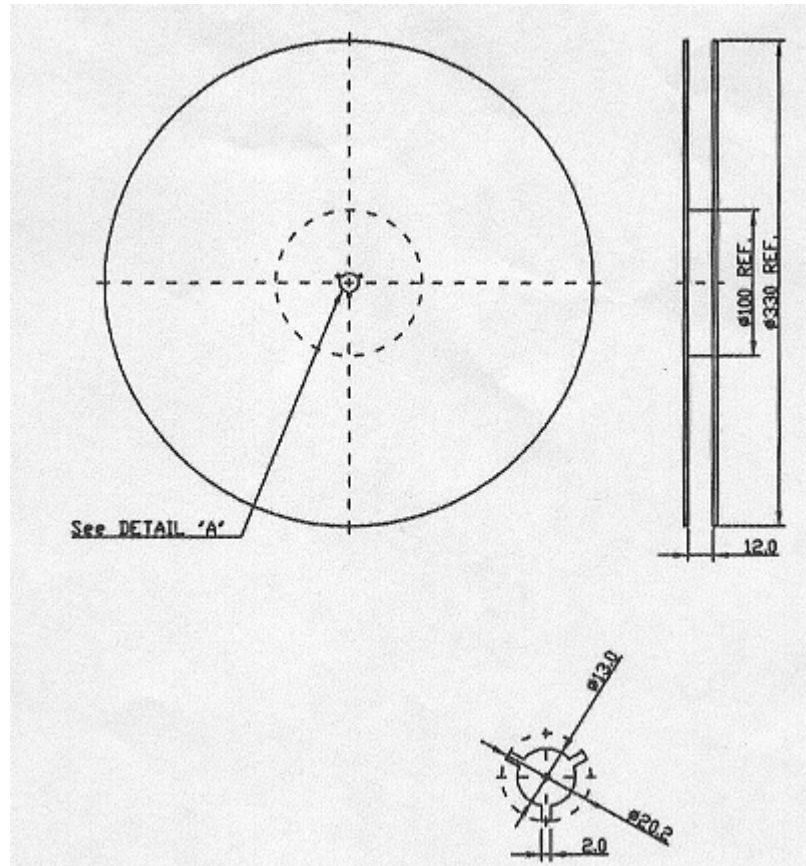


G. TEST CIRCUIT:



H.PACKING:

1. REEL DIMENSION



2. TAPE DIMENSION

