



# TAI-SAW TECHNOLOGY CO., LTD.

No. 3, Industrial 2nd Rd., Ping-Chen Industrial District,  
Taoyuan, 324, Taiwan, R.O.C.

TEL: 886-3-4690038 FAX: 886-3-4697532

E-mail: [ttsales@mail.taisaw.com](mailto:ttsales@mail.taisaw.com) Web: [www.taisaw.com](http://www.taisaw.com)

## Product Specifications Approval Sheet

Product Name: Crystal Filter SMD 11.4x7.0 45.0MHz

TST Part No.: TY0182A

Customer Part No.: \_\_\_\_\_

Company: _____
Division: _____
Approved by: _____
Date: _____

Checked by: CC Hsu *C.C.H.*

Approved by: Kelly Huang *Kelly Huang*

Date: 1/06/2012

1. Customer signed back is required before TST can proceed with sample build and receive orders.
2. Orders received without customer signed back will be regarded as agreement on the specifications.
3. Any specifications changes must be approved upon by both parties and a new revision of specifications shall be released to reflect the changes.



**TAI-SAW TECHNOLOGY CO., LTD.**  
Crystal Filter SMD 11.5x7.0 45.0MHz

MODEL NO.: TY0182A

REV. NO.: 1

**Revise:**

Rev.	Rev. Page	Rev. Account	Date	Ref. No.	Revised by
1	N/A	Initial release	1/06/12'	N/A	C.C. Hsu



# TAI-SAW TECHNOLOGY CO., LTD.

No. 3, Industrial 2nd Rd., Ping-Chen Industrial District,  
Taoyuan, 324, Taiwan, R.O.C.

TEL: 886-3-4690038 FAX: 886-3-4697532

E-mail: [tstsales@mail.taisaw.com](mailto:tstsales@mail.taisaw.com) Web: [www.taisaw.com](http://www.taisaw.com)

## Crystal Filter SMD 11.4x7.0 45.0MHz

MODEL NO.: TY0182A

REV. NO.: 1

### Features:

- Surface Mount Seam Weld Package
- 4-pole IF Filter
- High Reliability

RoHS Compliant  
Lead free  
Lead-free soldering

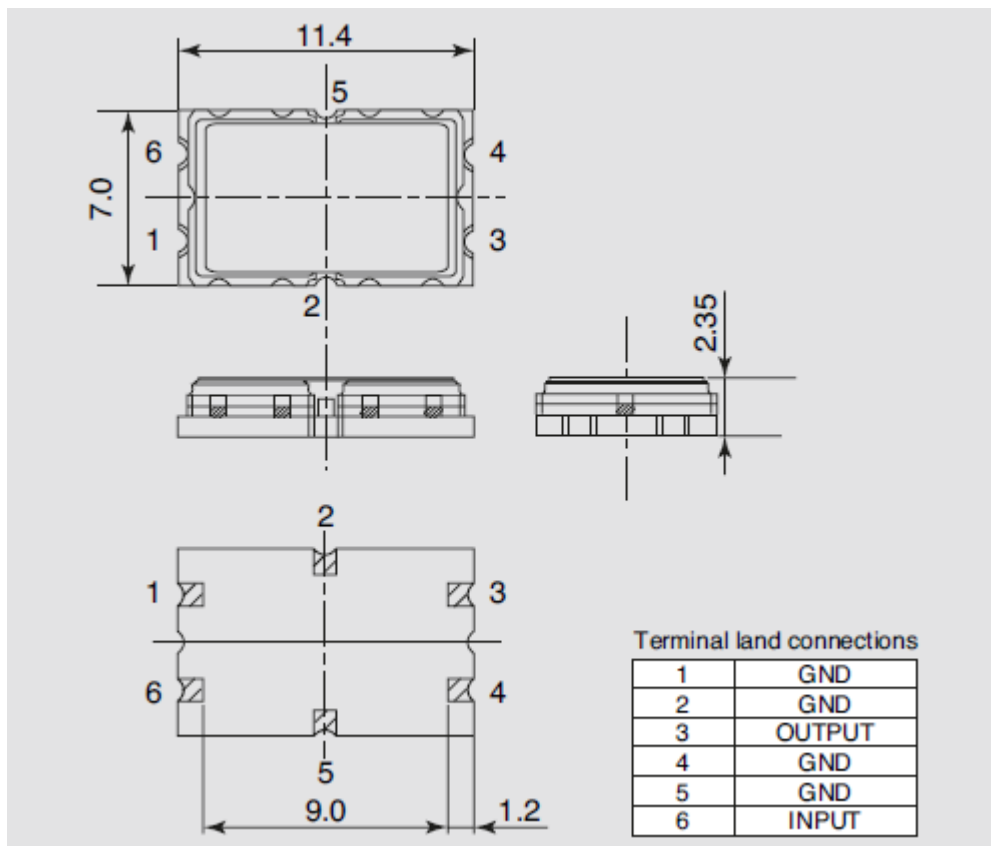
### Description and Applications:

Surface mount 11.4mmx7.0mm crystal filter for use in wireless telecommunication devices.

### Electrical Specifications:

TY0182A	Specification
Center Frequency Fo	45.0 MHz, Fundamental
Insertion Loss	5.0 dB max
Ripple (@+/-6.0 KHz)	2.0 dB max
3 dB Passband	+/-7.5 KHz
Stopband (@+/-25 KHz)	35 dB min
Ultimate Attenuation @ Fo-910 KHz	80 dB min
Spurious	50 dB min
Terminating Impedance	650Ω// 2pF
Operating Temperature	-20°C ~ +70°C
Marking	Laser marking

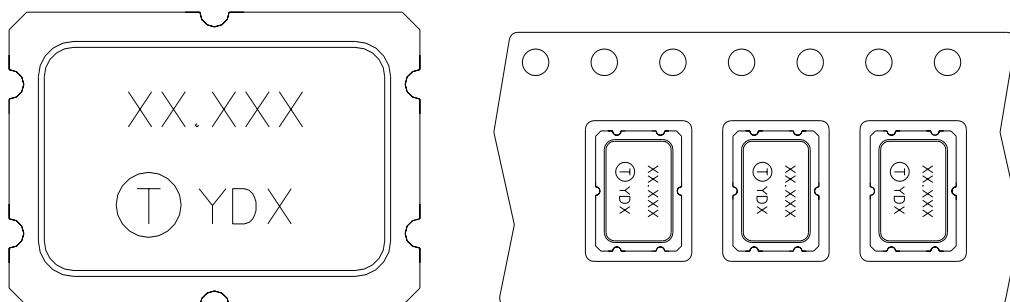
## Mechanical Dimensions (mm):



## Marking

Line 1: 45.000 (Customer Frequency)

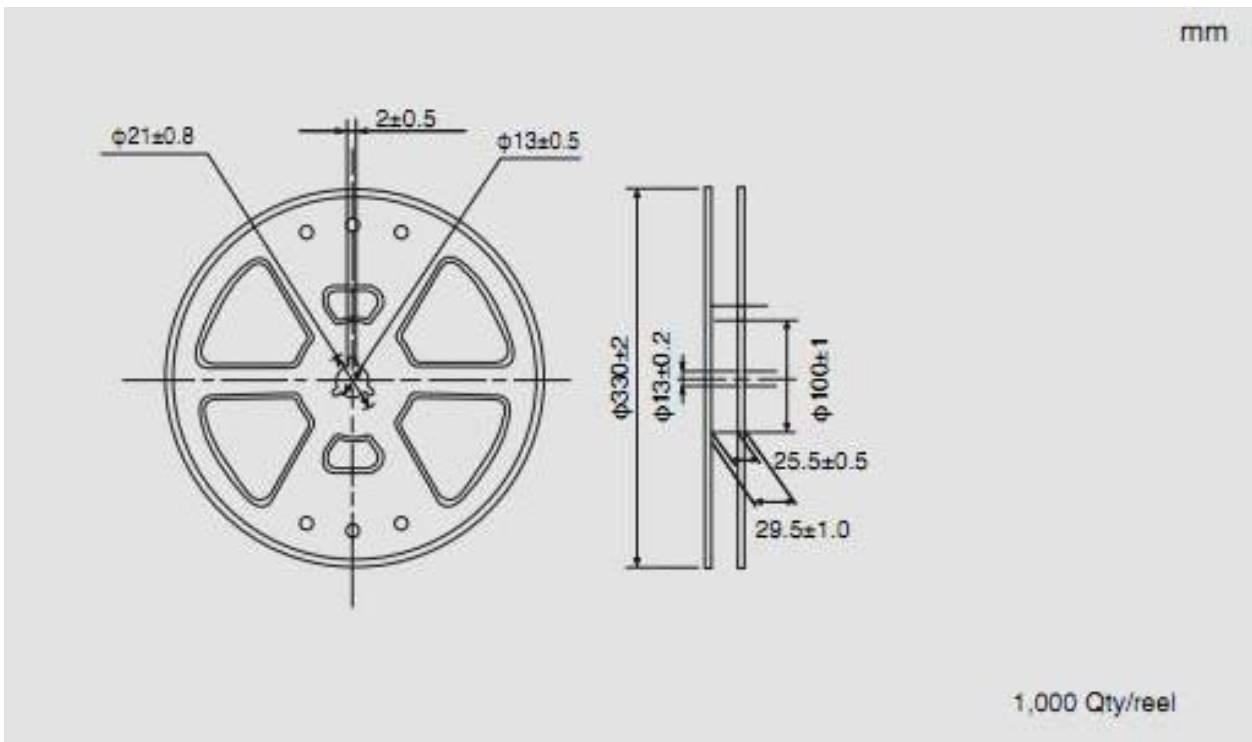
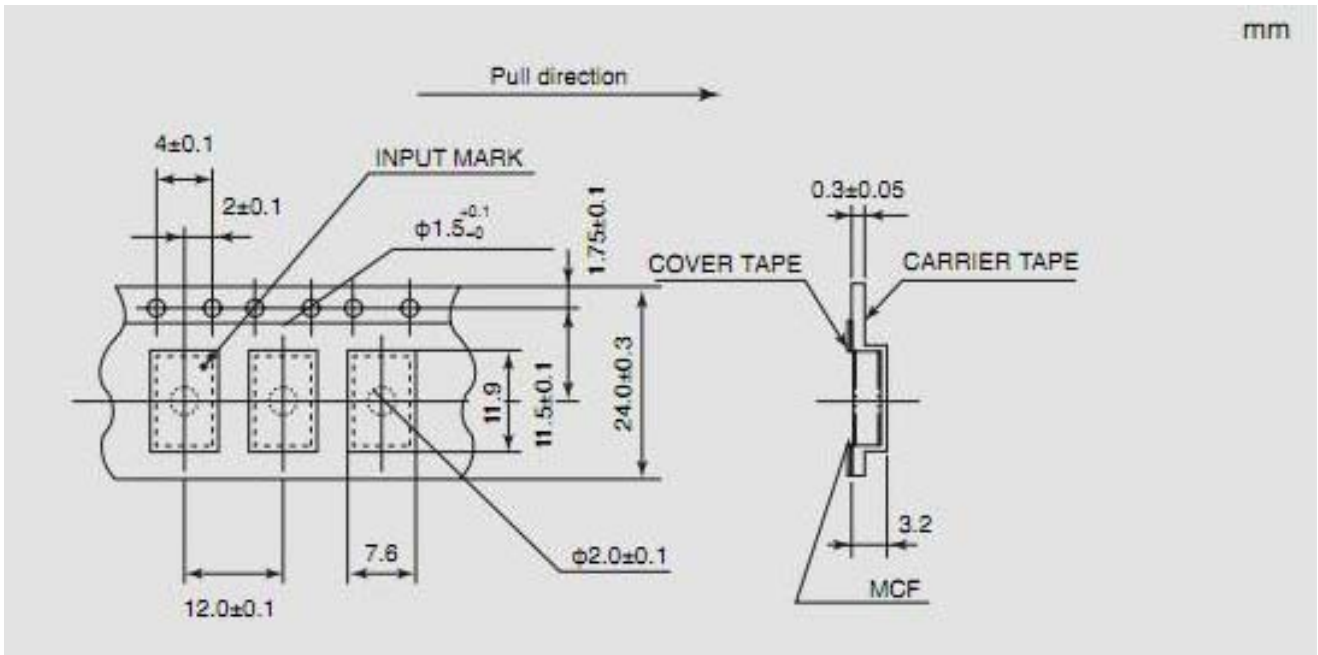
Line 2: TST Logo + Crystal Filter Product Code + Date Code

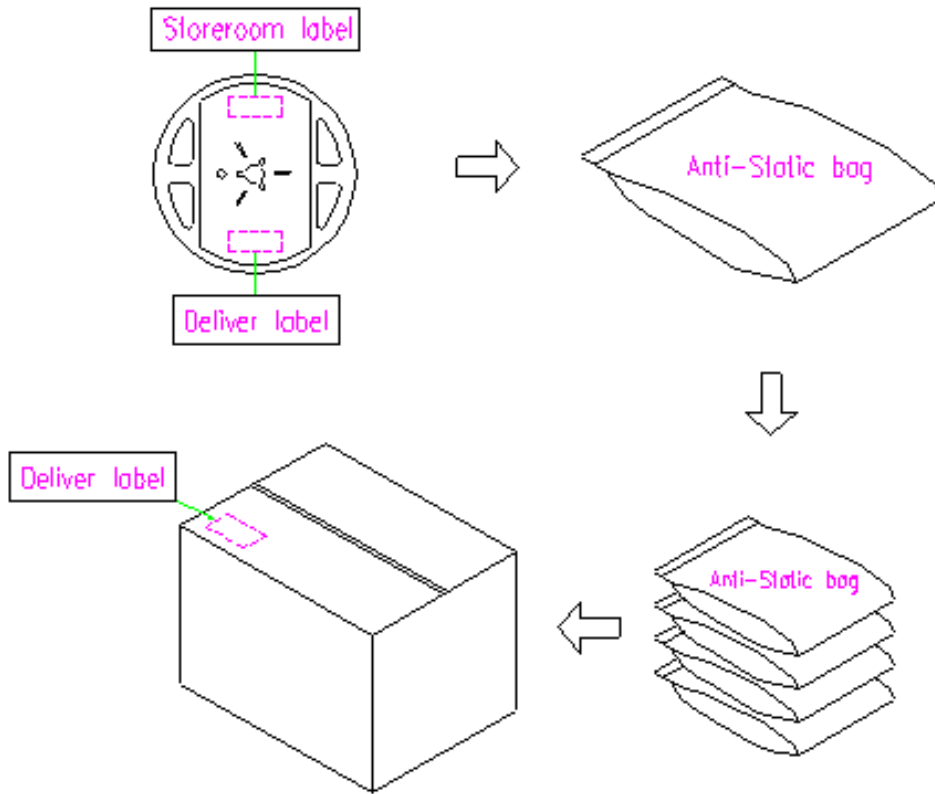


## Product Code Table

Year	2009	2010	2011	2012
	2013	2014	2015	2016
	2017	2018	2019	2020
product code	Y	y	Y	y

# Packing Quantity/Packing:





## Reflow Profile:

