



# TAI-SAW TECHNOLOGY CO., LTD.

No. 3, Industrial 2nd Rd., Ping-Chen Industrial District,  
Taoyuan, 324, Taiwan, R.O.C.

TEL: 886-3-4690038 FAX: 886-3-4697532

E-mail: [tstsales@mail.taisaw.com](mailto:tstsales@mail.taisaw.com) Web: [www.taisaw.com](http://www.taisaw.com)

## Approval Sheet For Product Specification

Issued Date:

Product Name: One-Port SAW Resonator 314.35MHz, SMD5x5

TST Parts No.: TC0171A

Customer Parts No.: \_\_\_\_\_

Company: _____
Division: _____
Approved by : _____
Date: _____

Checked by: Paul Ni

Approval by: Francis Chen

Date: Sep. 28. 2006



# TAI-SAW TECHNOLOGY CO., LTD.

No. 3, Industrial 2nd Rd., Ping-Chen Industrial District,  
Taoyuan, 324, Taiwan, R.O.C.

TEL: 886-3-4690038 FAX: 886-3-4697532

E-mail: [tstsales@mail.taisaw.com](mailto:tstsales@mail.taisaw.com) Web: [www.taisaw.com](http://www.taisaw.com)

## SAW Resonator 314.350 MHz

MODEL NO.: TC0171A

REV. NO.:2

### A. FEATURES:

1. One-Port Resonator.

### B. MAXIMUM RATING:

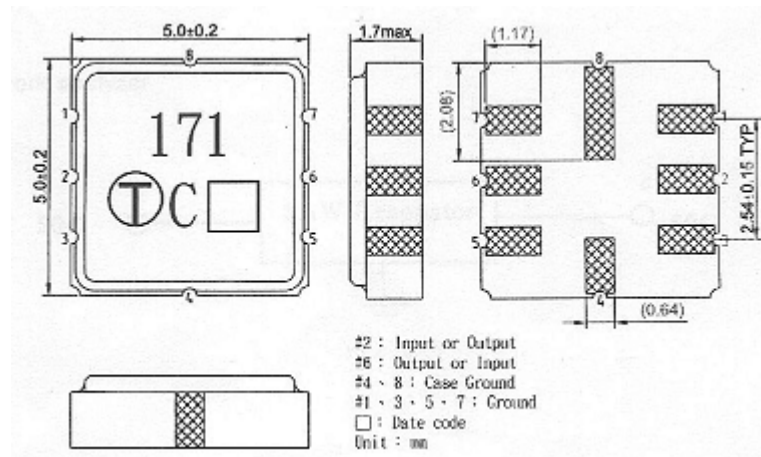
1. Power Dissipation : 0 dBm
2. DC voltage : 12 V
3. Storage Temperature : -40°C to +85°C
4. Operating Temperature : -40°C to +85°C

RoHS Compliant  
Lead free  
Lead-free soldering

### C. ELECTRICAL CHARACTERISTICS:

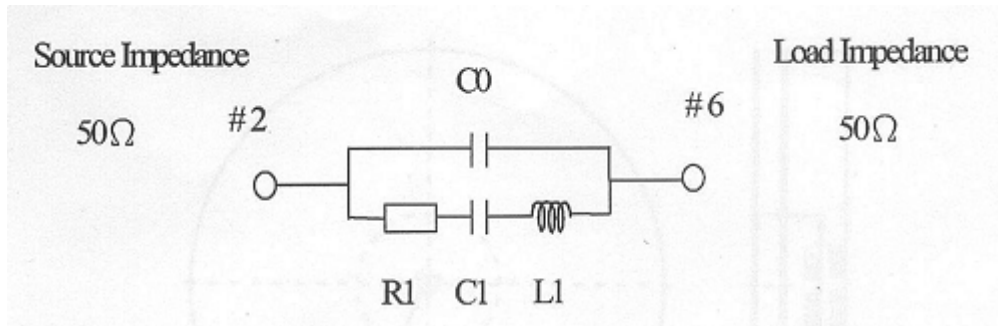
Characteristic	Units	Minimum	Typical	Maximum
Center frequency Fr	MHz	314.300	314.350	314.400
Insertion Loss IL	dB	-	0.9	1.2
Equivalent Elements				
Motional Capacitance C1	fF	-	3.6	-
Motional Inductance L1	μH	-	71	-
Motional Resistance R1	Ohm	-	10.7	15
Parallel Capacitance Co	pF	-	5.45	-
Temp.coeff.	ppm/c*2	-	0.032	-
Turnover To	deg.C	10	-	40
Package size		SMD5X5X1.7mm		

### D. OUTLINE DRAWING:

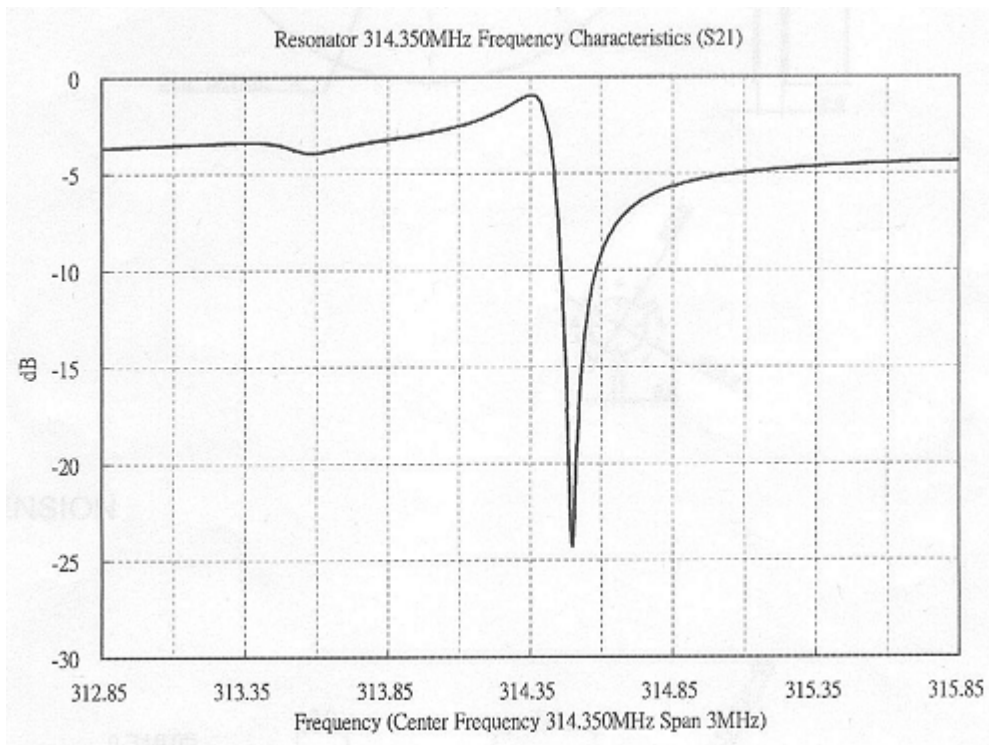


**E. EQUIVALENT CIRCUIT:**

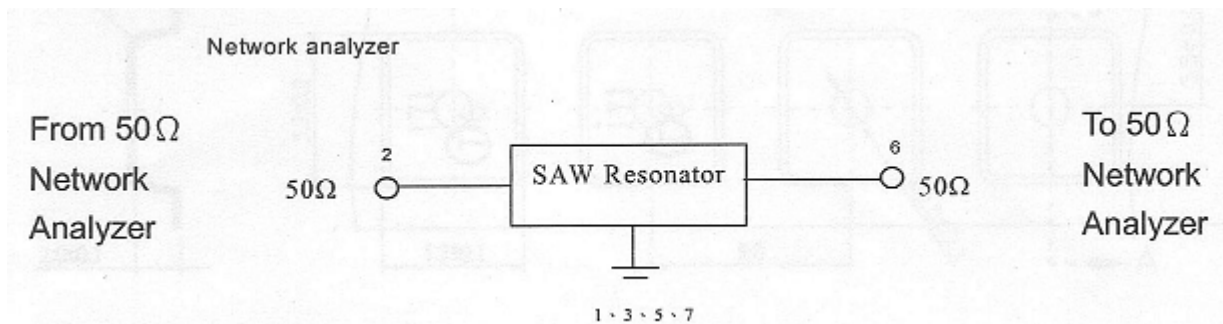
One-Port Resonator:



**F. FREQUENCY CHARACTERISTICS:**

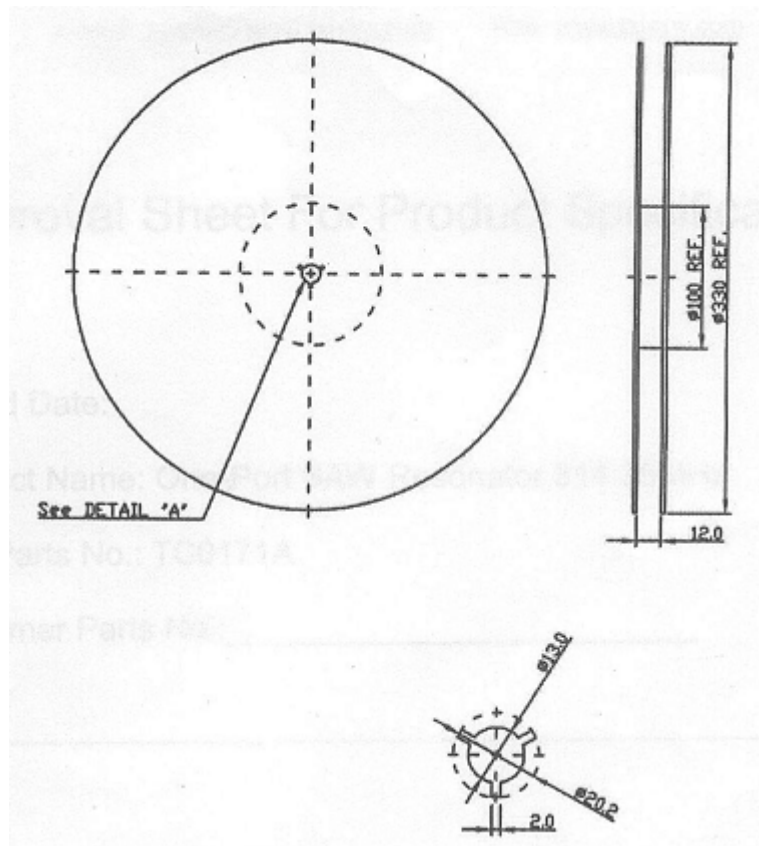


**G. TEST CIRCUIT:**



H.PACKING:

1. REEL DIMENSION



2. TAPE DIMENSION

