



TAI-SAW TECHNOLOGY CO., LTD.

No. 3, Industrial 2nd Rd., Ping-Chen Industrial District,
Taoyuan, 324, Taiwan, R.O.C.

TEL: 886-3-4690038 FAX: 886-3-4697532

E-mail: tstsales@mail.taisaw.com Web: www.taisaw.com

Approval Sheet For Product Specification

Issued Date:

Product Name: SAW Resonator 303.6 MHz SMD 5X5 mm

TST Parts No.: TC0253A

Customer Parts No.: _____

| |
|---------------------|
| Company: _____ |
| Division: _____ |
| Approved by : _____ |
| Date: _____ |

Checked by: _____ Asin Lin

Approval by: _____ Francis Chen

Date: _____ 2004/6/25



TAI-SAW TECHNOLOGY CO., LTD.

No. 3, Industrial 2nd Rd., Ping-Chen Industrial District,
Taoyuan, 324, Taiwan, R.O.C.

TEL: 886-3-4690038 FAX: 886-3-4697532

E-mail: tstsales@mail.taisaw.com Web: www.taisaw.com

SAW Resonator 303.6 MHz

MODEL NO.: TC0253A

REV. NO.:1

A. FEATURES:

1. 1-Port Resonator.

B. MAXIMUM RATING:

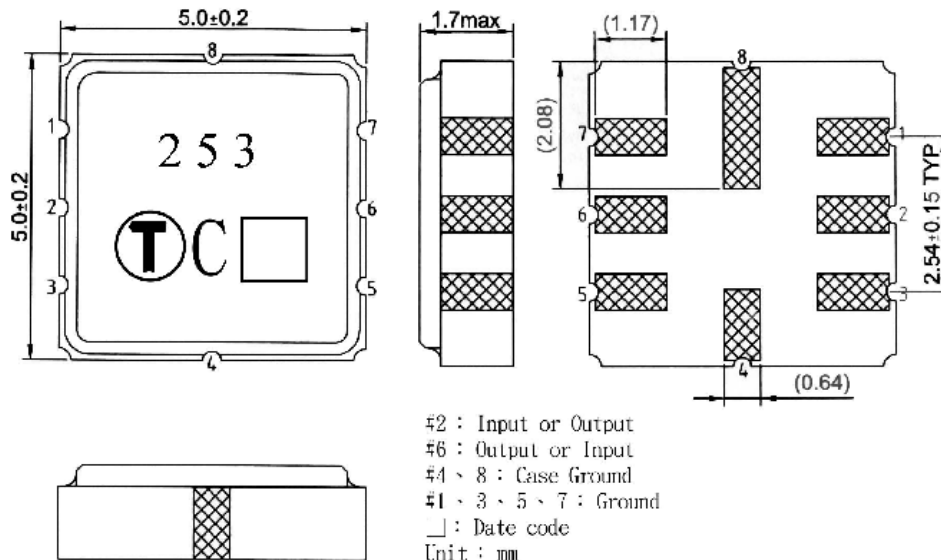
1. Input Power Level: 0 dBm
2. DC voltage: 12 V
3. Operating Temperature: -40°C to +85°C
4. Storage Temperature: -40°C to +85°C

RoHS Compliant
Lead free
Lead-free soldering

C. ELECTRICAL CHARACTERISTICS:

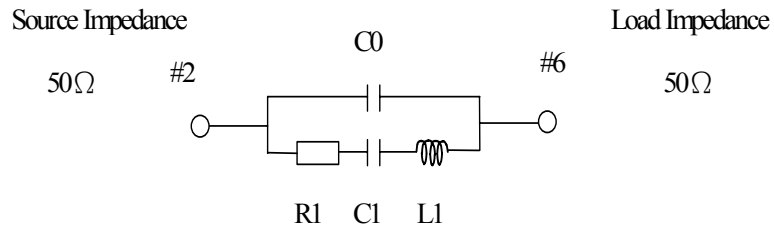
| Characteristic | Units | Minimum | Typical | Maximum |
|--------------------------------|----------------|---------------|---------|---------|
| Center frequency Fr | MHz | 303.525 | 303.600 | 303.675 |
| Insertion Loss IL | dB | | 1.5 | 2.5 |
| Unloaded Quality factor | | 6000 | | |
| Equivalent Elements | | | | |
| Motional capacitance C1 | fF | - | 2.720 | - |
| Motional inductance L1 | μH | - | 101.03 | - |
| Motional resistance R1 | Ohm | - | 17.014 | - |
| Parallel capacitance Co | pF | - | 4.586 | - |
| Temp.coeff. | ppm/c*2 | - | 0.032 | - |
| Turnover To | deg.C | 20 | 40 | 50 |
| Package size | | SMD 5X5X1.4mm | | |

D. OUTLINE DRAWING:

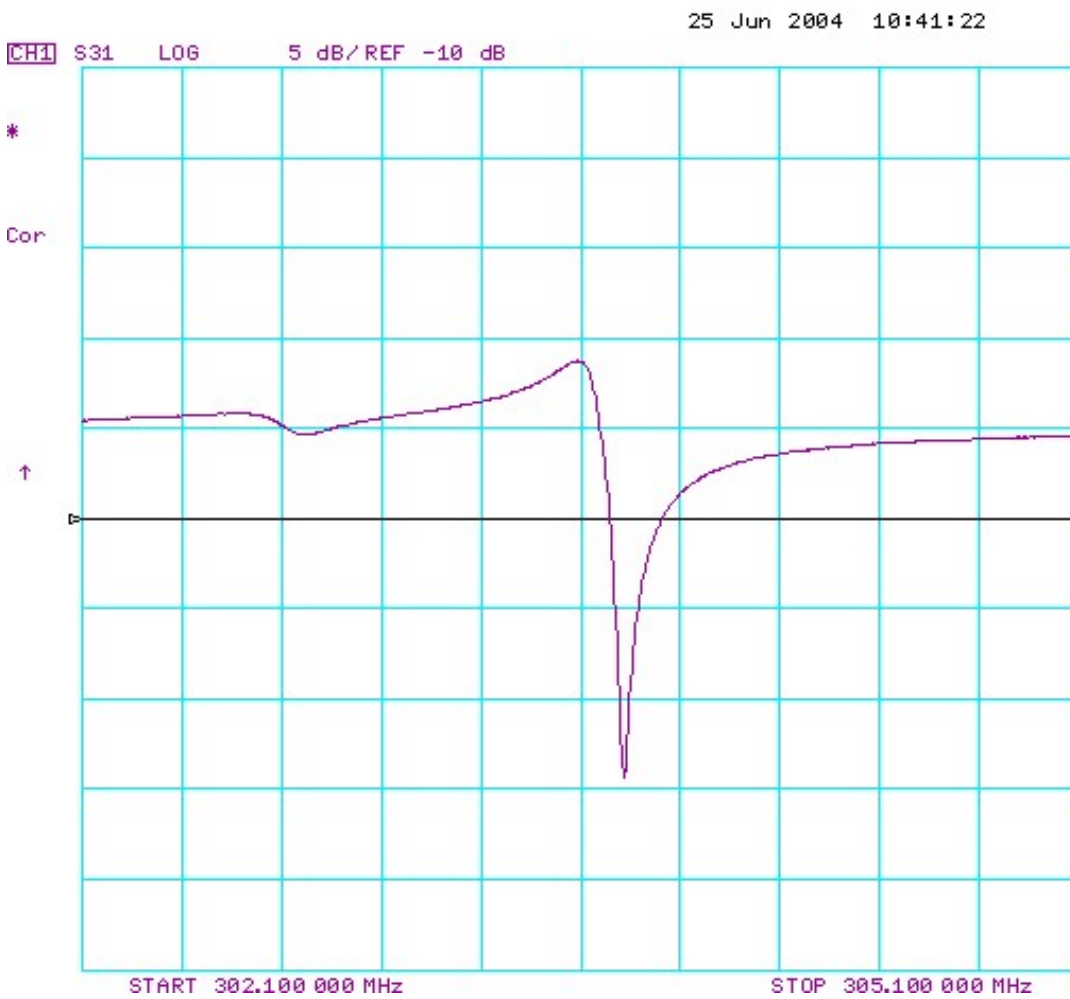


E. EQUIVALENT CIRCUIT:

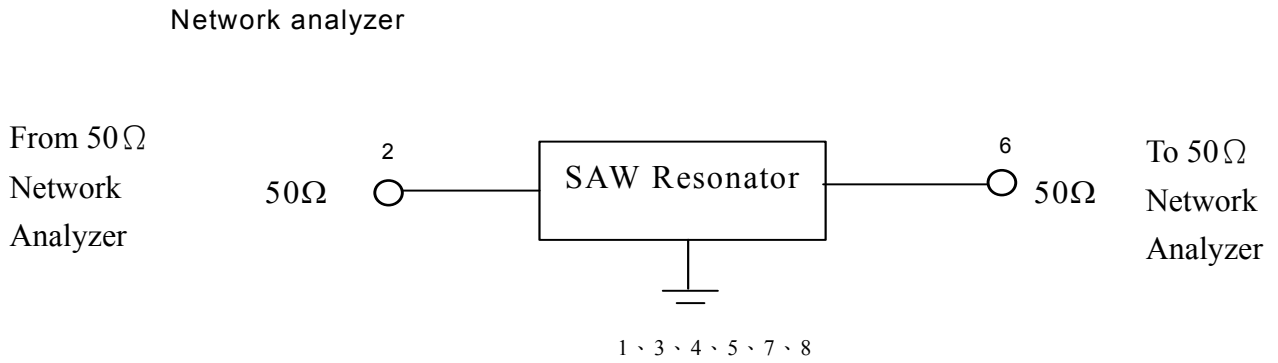
One-Port Resonator:



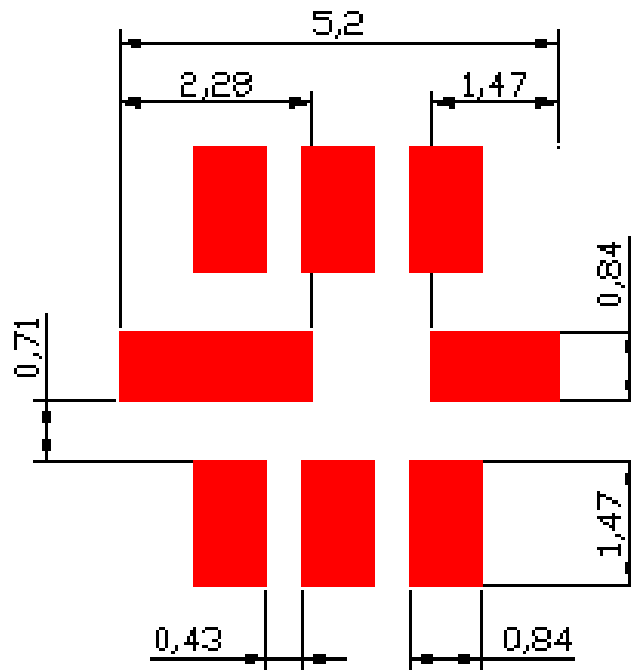
F. FREQUENCY CHARACTERISTICS:



G. TEST CIRCUIT:

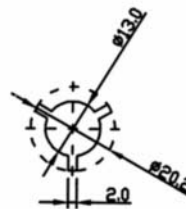
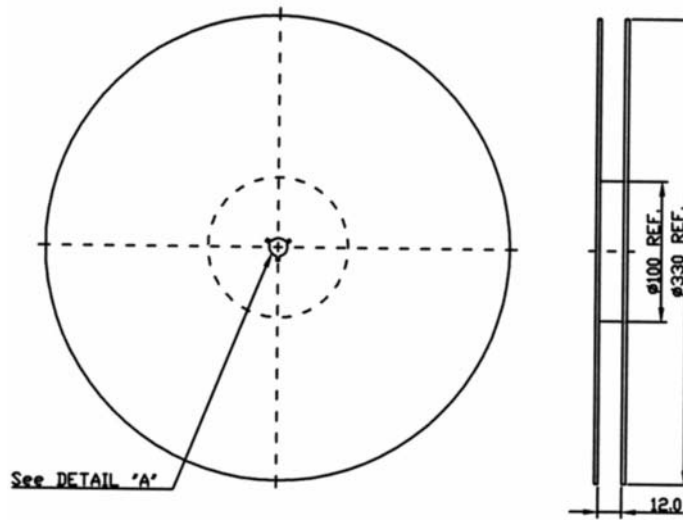


H. PCB FOOTPRINT



I. PACKING:

1. REEL DIMENSION



2. TAPE DIMENSION

