



# TAI-SAW TECHNOLOGY CO., LTD.

No. 3, Industrial 2nd Rd., Ping-Chen Industrial District,  
Taoyuan, 324, Taiwan, R.O.C.

TEL: 886-3-4690038 FAX: 886-3-4697532

E-mail: [tstsales@mail.taisaw.com](mailto:tstsales@mail.taisaw.com) Web: [www.taisaw.com](http://www.taisaw.com)

## Approval Sheet For Product Specification

Issued Date:

Product Name: SAW Resonator 300 MHz SMD 3.8X3.8 mm

TST Parts No.: TC0267A

Customer Parts No.: \_\_\_\_\_

Company: _____
Division: _____
Approved by : _____
Date: _____

Checked by: \_\_\_\_\_ Asin Lin

Approval by: \_\_\_\_\_ Francis Chen

Date: \_\_\_\_\_ 2004/12/8



# TAI-SAW TECHNOLOGY CO., LTD.

No. 3, Industrial 2nd Rd., Ping-Chen Industrial District,  
Taoyuan, 324, Taiwan, R.O.C.

TEL: 886-3-4690038 FAX: 886-3-4697532

E-mail: [tstsales@mail.taisaw.com](mailto:tstsales@mail.taisaw.com) Web: [www.taisaw.com](http://www.taisaw.com)

## SAW Resonator 300 MHz

MODEL NO.: TC0267A

REV. NO.:1

### A. FEATURES:

1. 1-Port Resonator.

### B. MAXIMUM RATING:

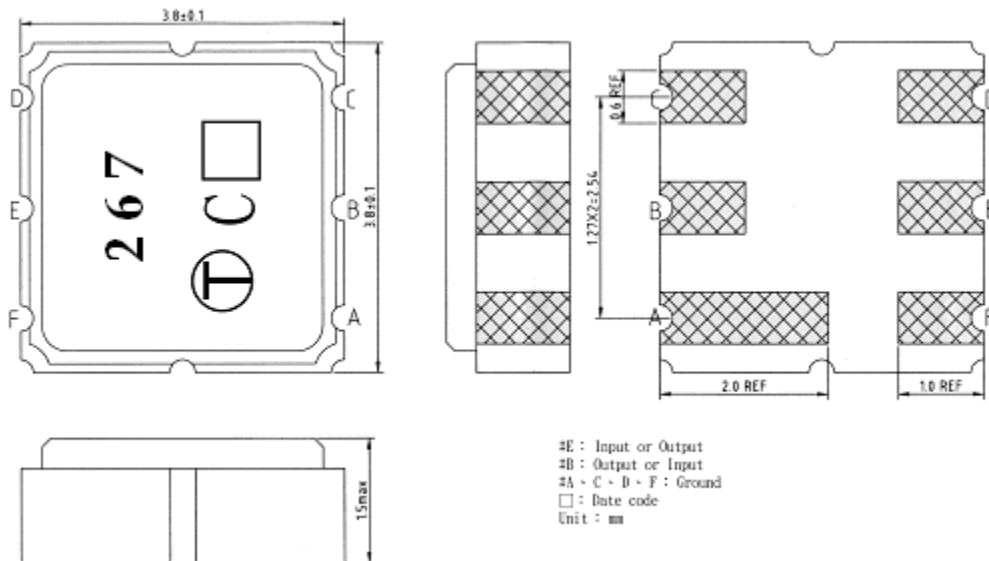
1. Input Power Level: 0 dBm
2. DC voltage: 12 V
3. Operating Temperature: -40°C to +85°C
4. Storage Temperature: -40°C to +85°C

RoHS Compliant  
Lead free  
Lead-free soldering

### C. ELECTRICAL CHARACTERISTICS:

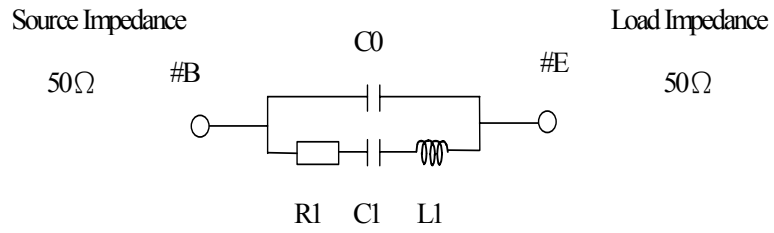
Characteristic	Units	Minimum	Typical	Maximum
Center frequency <b>Fr</b>	<b>MHz</b>	299.925	300	300.075
Insertion Loss <b>IL</b>	<b>dB</b>	-	1.7	2.5
Equivalent Elements				
Motional capacitance <b>C1</b>	<b>fF</b>	-	3.46	-
Motional inductance <b>L1</b>	<b>μH</b>	-	81.136	-
Motional resistance <b>R1</b>	<b>Ohm</b>	-	18.89	-
Parallel capacitance <b>Co</b>	<b>pF</b>	-	5.08	-
Temp.coeff.	<b>ppm/c*2</b>	-	0.032	-
Turnover To	<b>deg.C</b>	10	25	40
Package size		SMD 3.8X3.8X1.2mm		

### D. OUTLINE DRAWING:



E. EQUIVALENT CIRCUIT:

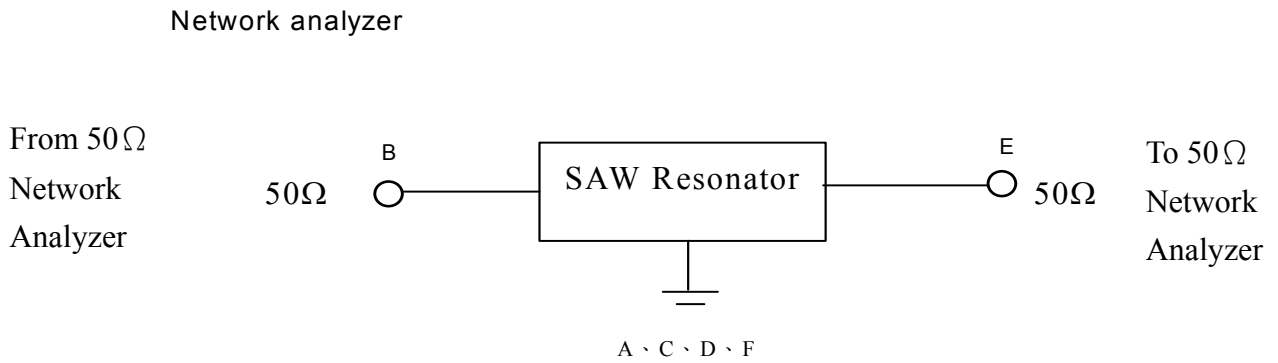
One-Port Resonator:



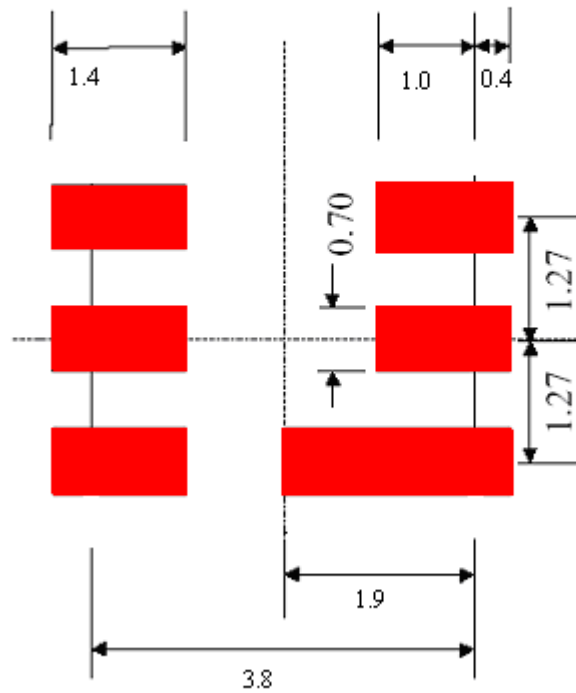
F. FREQUENCY CHARACTERISTICS:



### G. TEST CIRCUIT:

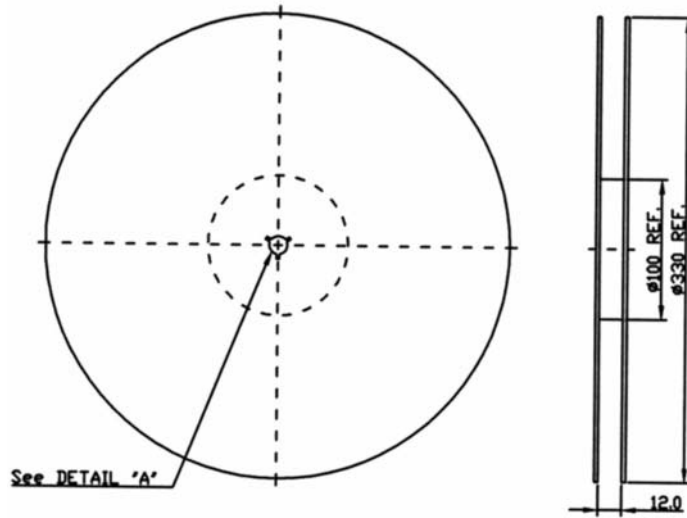


### H. PCB FOOTPRINT

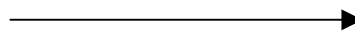
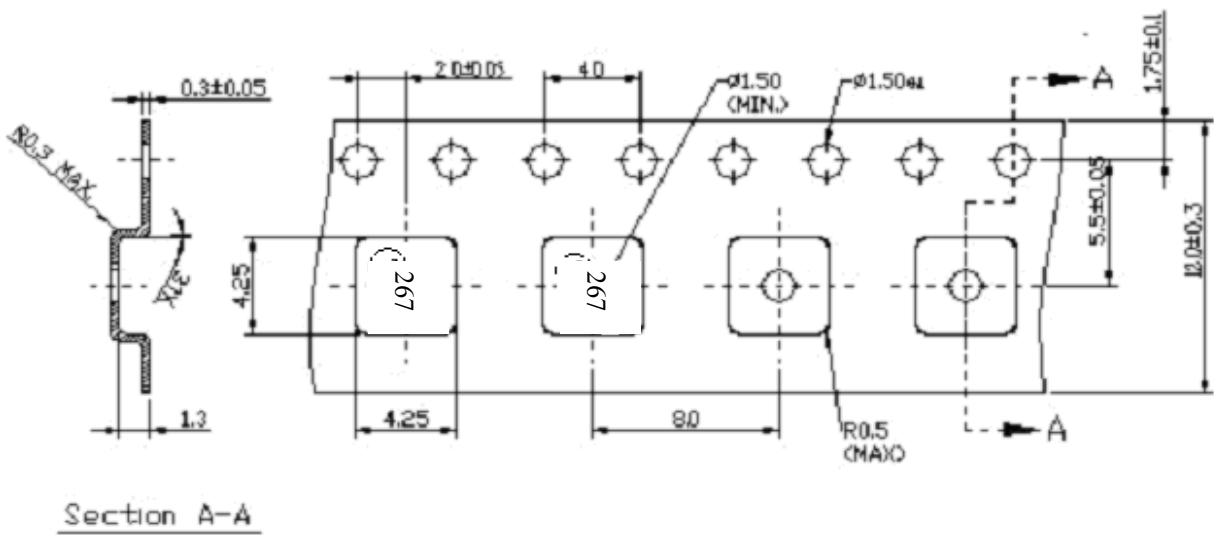


I. PACKING:

1. REEL DIMENSION



2. TAPE DIMENSION



Direction of feed