



TAI-SAW TECHNOLOGY CO., LTD.

No. 3, Industrial 2nd Rd., Ping-Chen Industrial District,
Taoyuan, 324, Taiwan, R.O.C.

TEL: 886-3-4690038 FAX: 886-3-4697532

E-mail: tstsales@mail.taisaw.com Web: www.taisaw.com

Product Specifications Approval Sheet

Product Description: 5788MHz 125MHzBW SMD2.5x2.0 mm LTCC Filter

TST Part No.: TL0019B(AEC-Q200)

Customer Part No.: _____

Customer signature required
Company: _____
Division: _____
Approved by : _____
Date: _____

Checked by: _____ Mia Chen *Mia Chen*

Approved by: _____ Kazuma Lee *Kazuma Lee*

Date: _____ 2021 / 09 / 28

1. Customer signed back is required before TST can proceed with sample build and receive orders.
2. Orders received without customer signed back will be regarded as agreement on the specifications.
3. Any specifications changes must be approved upon by both parties and a new revision of specifications shall be released to reflect the change



TAI-SAW TECHNOLOGY CO., LTD.

No. 3, Industrial 2nd Rd., Ping-Chen Industrial District,
Taoyuan, 324, Taiwan, R.O.C.

TEL: 886-3-4690038 FAX: 886-3-4697532

E-mail: tstsales@mail.taisaw.com Web: www.taisaw.com

LTCC Filter 5788 MHz SMD 2.5x2.0 mm (125 MHz BW)

MODEL NO.: TL0019B

REV.3

A. MAXIMUM RATING:

1. Input Power : 1W
2. Operating temperature range: -40°C to +150°C
3. Storage temperature range: -40 °C to +150 °C
4. Moisture Sensitivity Level: Level 1(MSL1)



Electrostatic Sensitive Device (ESD)

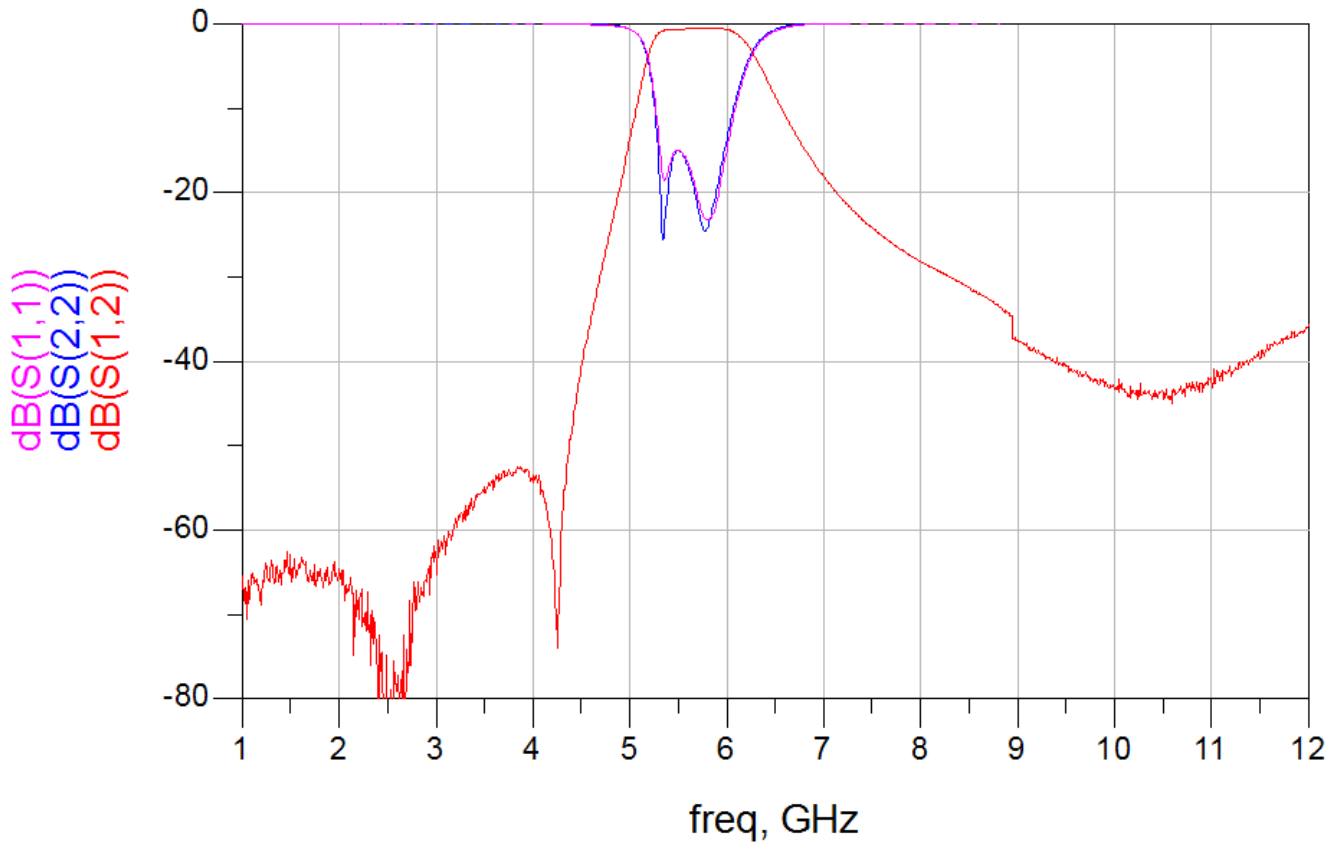
B. ELECTRICAL CHARACTERISTICS:

Operating temperature range for specification : -40°C to +125°C

Item	Unit	Min.	Typ	Max
Central Frequency Fc	MHz	5768	5788	5808
Band Width	MHz	110	125	136
Insertion loss (5725 ~ 5850 MHz) @25°C IL	dB	0.8	1.2	1.6
Insertion loss (5725 ~ 5850 MHz) @40°C-125°C IL	dB	0.8	2	2.4
Return Loss (5725 ~ 5850 MHz)	dB	10	14	20
Attenuation (Reference level from 0 dB)				
1908 ~ 1950 MHz	dB	50	62	80
3816 ~ 3900 MHz	dB	47	56	80
11450 ~ 11700 MHz	dB	25	32	50
In/Out put Impedance	Ω	50		

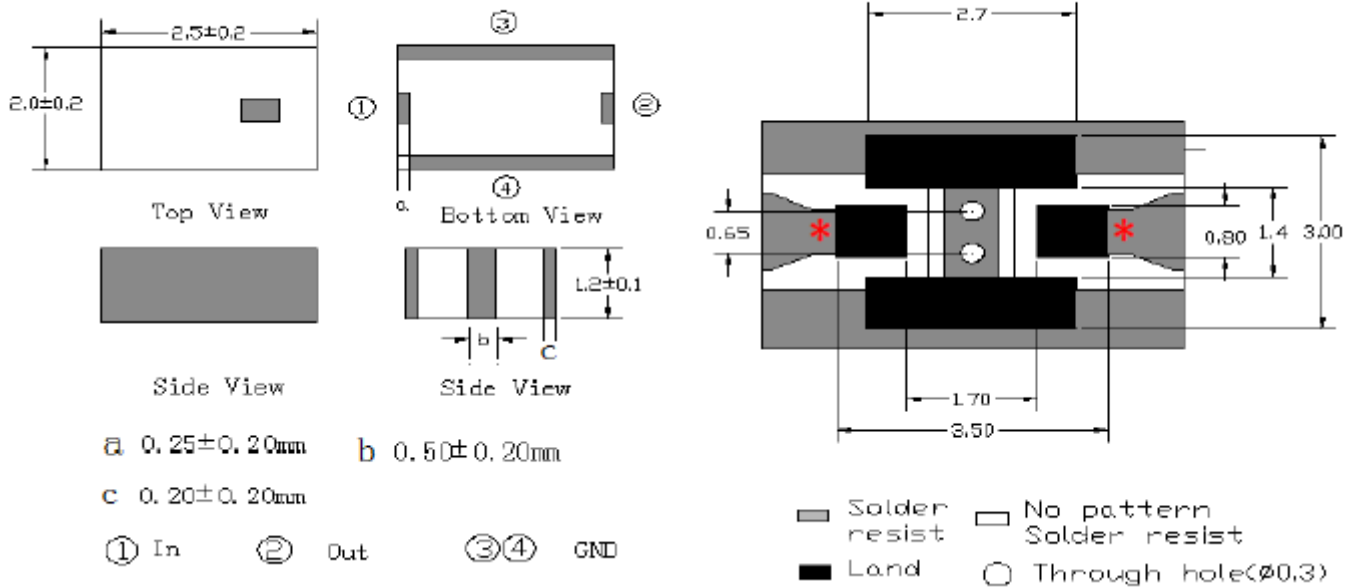
C. FREQUENCY CHARACTERISTICS:

Frequency Response

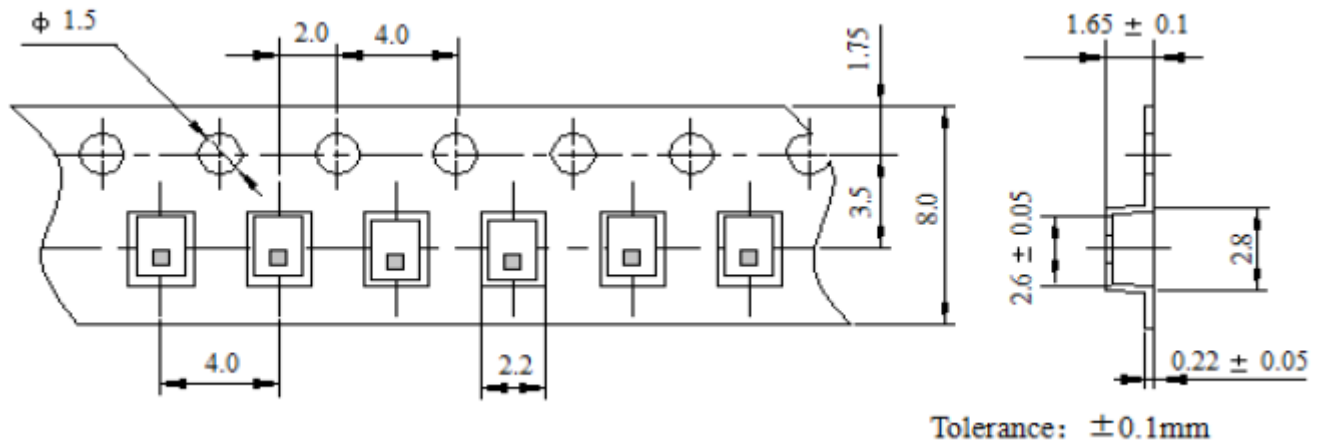


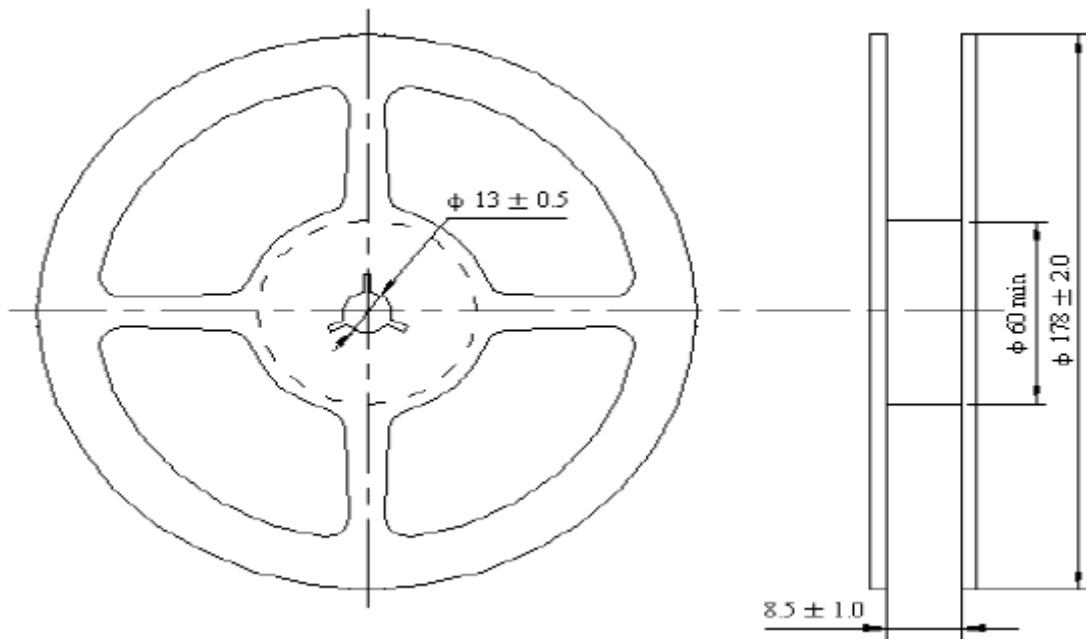
D. OUTLINE DRAWING:

Dimensions (Unit: mm)



E. PACKING: Reel (2500 pcs/Reel)





Reserve a length of 150~200mm for the trailer of the carrier and 250~300 mm for the leader of the carrier and further 250mm of cover tape at the leading part of the carrier.

F. RECOMMENDED REFLOW PROFILE:

