



TAI-SAW TECHNOLOGY CO., LTD.

No. 3, Industrial 2nd Rd., Ping-Chen Industrial District,
Taoyuan, 324, Taiwan, R.O.C.

TEL: 886-3-4690038 FAX: 886-3-4697532

E-mail: tstsales@mail.taisaw.com Web: www.taisaw.com

Product Specifications Approval Sheet

Product Description: LTCC Filter 6012.5MHz BW 2225MHz Size 1.6x0.8mm

TST Part No.: TL0054AA0093

Customer Part No.: _____

Customer signature required
Company: _____
Division: _____
Approved by : _____
Date: _____

Checked by: _____ Nina Chen *Nina Chen*

Approved by: _____ Kazuma Lee *Kazuma Lee*

Date: _____ 2023/06/15

1. Customer signed back is required before TST can proceed with sample build and receive orders.
2. Orders received without customer signed back will be regarded as agreement on the specifications.
3. Any specifications changes must be approved upon by both parties and a new revision of specifications shall be released to reflect the change



TAI-SAW TECHNOLOGY CO., LTD.

No. 3, Industrial 2nd Rd., Ping-Chen Industrial District,
Taoyuan, 324, Taiwan, R.O.C.

TEL: 886-3-4690038 FAX: 886-3-4697532

E-mail: tstsales@mail.taisaw.com Web: www.taisaw.com

LTCC Filter 6012.5MHz BW 2225MHz Size 1.6x0.8mm

MODEL NO.: TL0054AA0093

REV.1

A. Maximum Rating:

1. Input Power : 3W max
2. Operating temperature range: -40°C to +105°C
3. Storage temperature range: -40°C to +105°C
4. Moisture Sensitive Level: Level 1

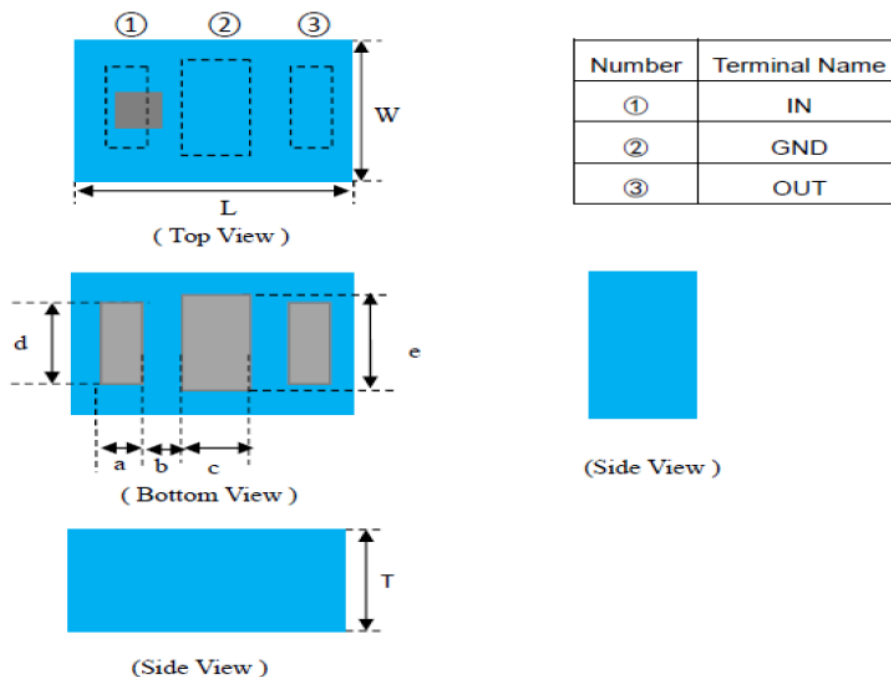
RoHS Compliant
Lead free
Lead-free soldering

Electrostatic Sensitive Device (ESD)

B. Electrical Characteristics:

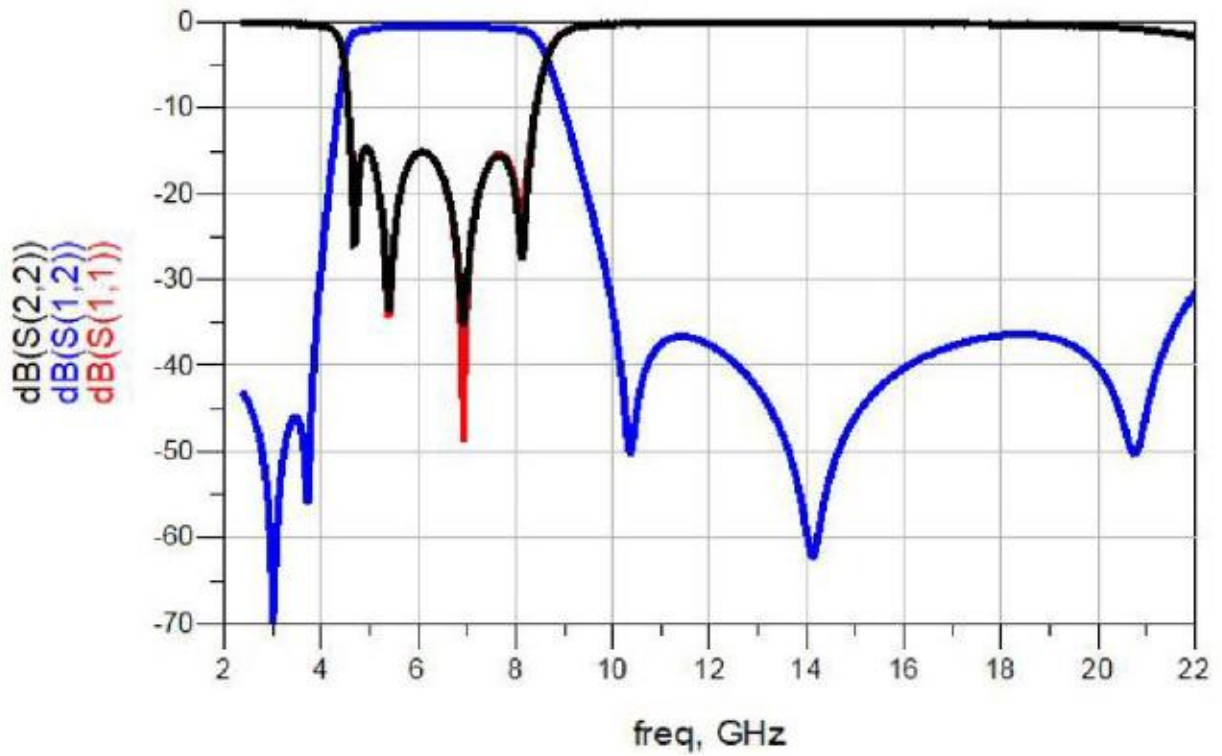
Item		Unit	Spec
Insertion Loss	4900~7125 MHz	dB	0.9 (max) at 25°C
			1.1 (max) at -40~+105°C
Return Loss	4900~7125 MHz	dB	10 (min)
Attenuation	2400~2500MHz	dB	40 (min)
	10340~14250 MHz	dB	30 (min)
	15510~21375 MHz	dB	30 (min)

C. Outline Drawing:

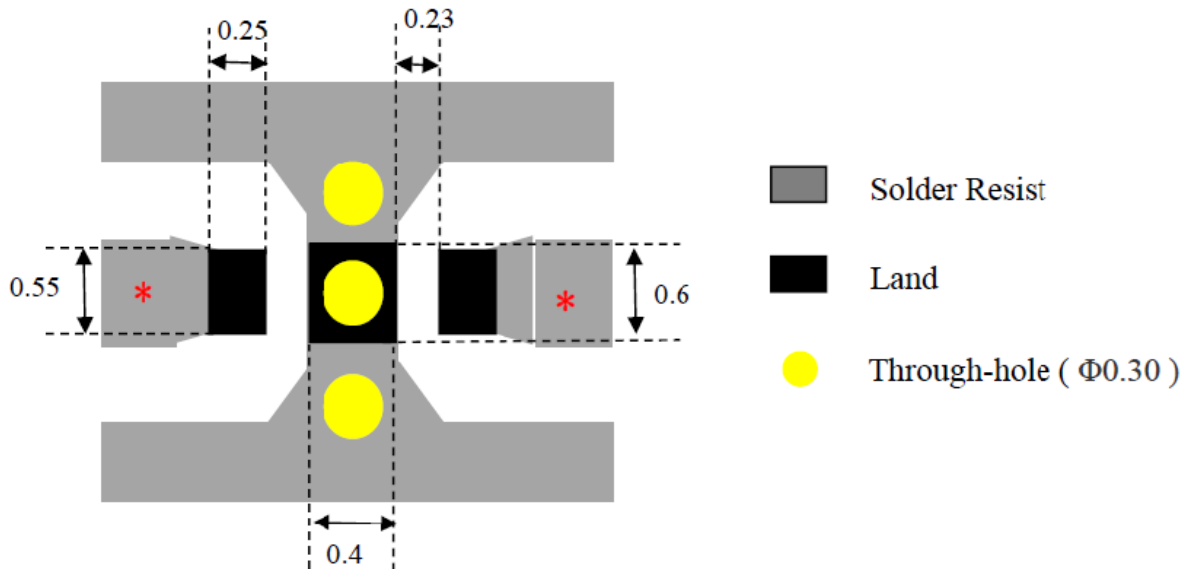


Symbols	L	W	T	a	b	c	d	e
Dimensions	1.6±0.15	0.8±0.15	0.65max	0.25±0.10	0.23±0.05	0.4±0.10	0.55±0.10	0.6±0.10

D. Frequency Characteristics:



E. PCB Footprint:

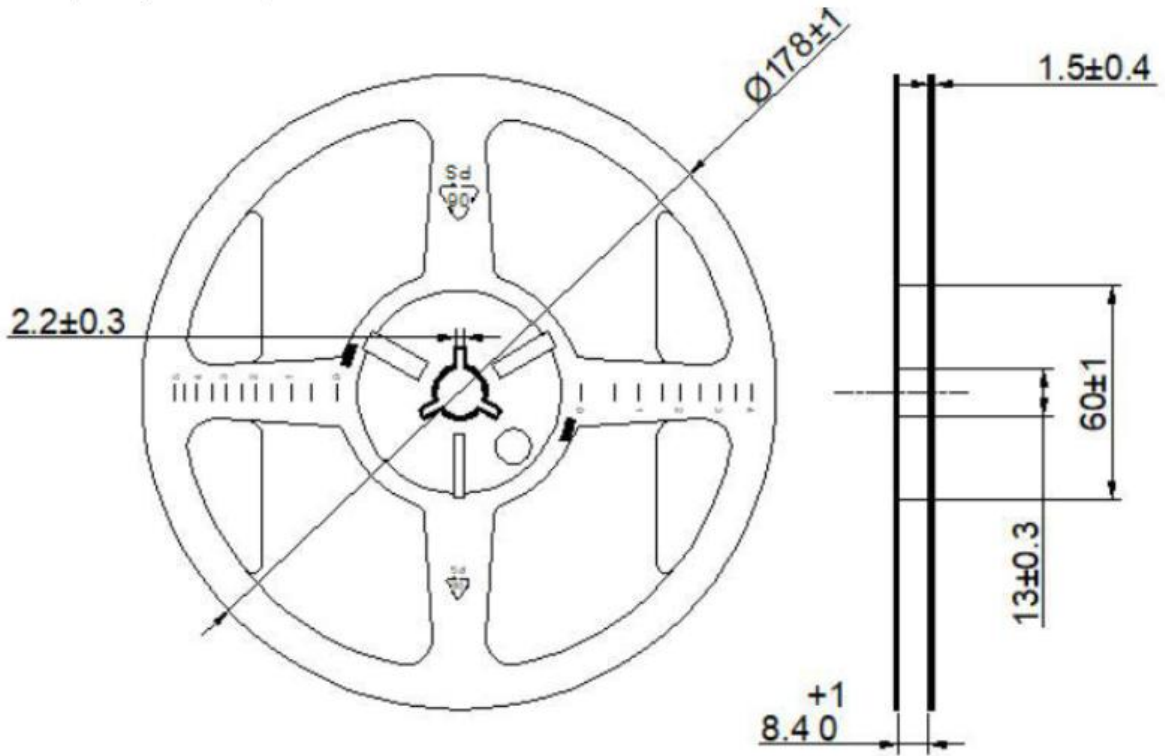


* Line width should be designed to match 50Ω characteristic impedance, depending on PCB material and thickness

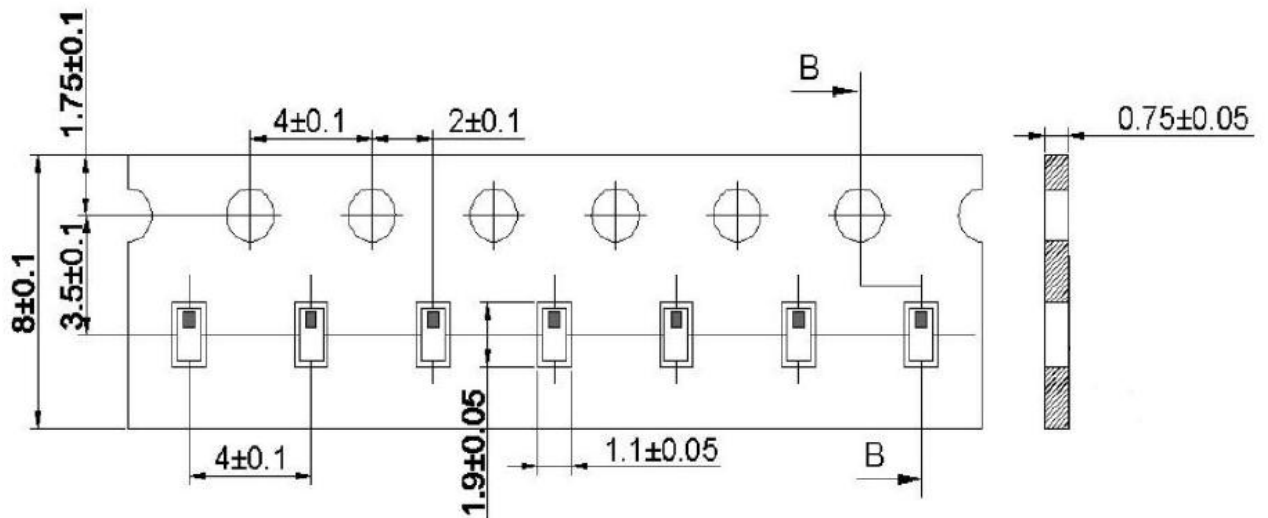
F. Packing:

1. Reel Dimension

(6000pcs/ Reel)



2. Tape Dimension



G. Recommended Reflow Profile:

