



# TAI-SAW TECHNOLOGY CO., LTD.

No. 3, Industrial 2nd Rd., Ping-Chen Industrial District,  
Taoyuan, 324, Taiwan, R.O.C.

TEL: 886-3-4690038 FAX: 886-3-4697532

E-mail: [tstsales@mail.taisaw.com](mailto:tstsales@mail.taisaw.com) Web: [www.taisaw.com](http://www.taisaw.com)

## Product Specifications Approval Sheet

Product Name: Dielectric Single Filter 1230MHz size 9.2x8.1mm BW 140 MHz

TST Parts No.: TR0023A

Customer Parts No.: \_\_\_\_\_

Customer signature required
Company: _____
Division: _____
Approved by : _____
Date: _____

Checked by: \_\_\_\_\_ Nina Chen *Nina Chen*

Approved by: \_\_\_\_\_ Kazuma Lee *Kazuma Lee*

Date: \_\_\_\_\_ 2022/07/21

1. Customer signed back is required before TST can proceed with sample build and receive orders.
2. Orders received without customer signed back will be regarded as agreement on the specifications.
3. Any specifications changes must be approved upon by both parties and a new revision of specifications shall be released to reflect the changes.



# TAI-SAW TECHNOLOGY CO., LTD.

No. 3, Industrial 2nd Rd., Ping-Chen Industrial District,  
Taoyuan, 324, Taiwan, R.O.C.

TEL: 886-3-4690038 FAX: 886-3-4697532

E-mail: [tstsales@mail.taisaw.com](mailto:tstsales@mail.taisaw.com) Web: [www.taisaw.com](http://www.taisaw.com)

## Dielectric Single Filter 1230 MHz

MODEL NO.: TR0023A

REV. NO.:2

### A. MAXIMUM RATING:

1. Input Power Level: 1 W
2. DC Voltage : 0 V
3. Operating Temperature: -40°C to +85°C
4. Storage Temperature:-40°C to +85°C
5. Moisture Sensitivity Level: Level 3

RoHS Compliant  
Lead free  
Lead-free soldering

**Electrostatic Sensitive Device (ESD)**

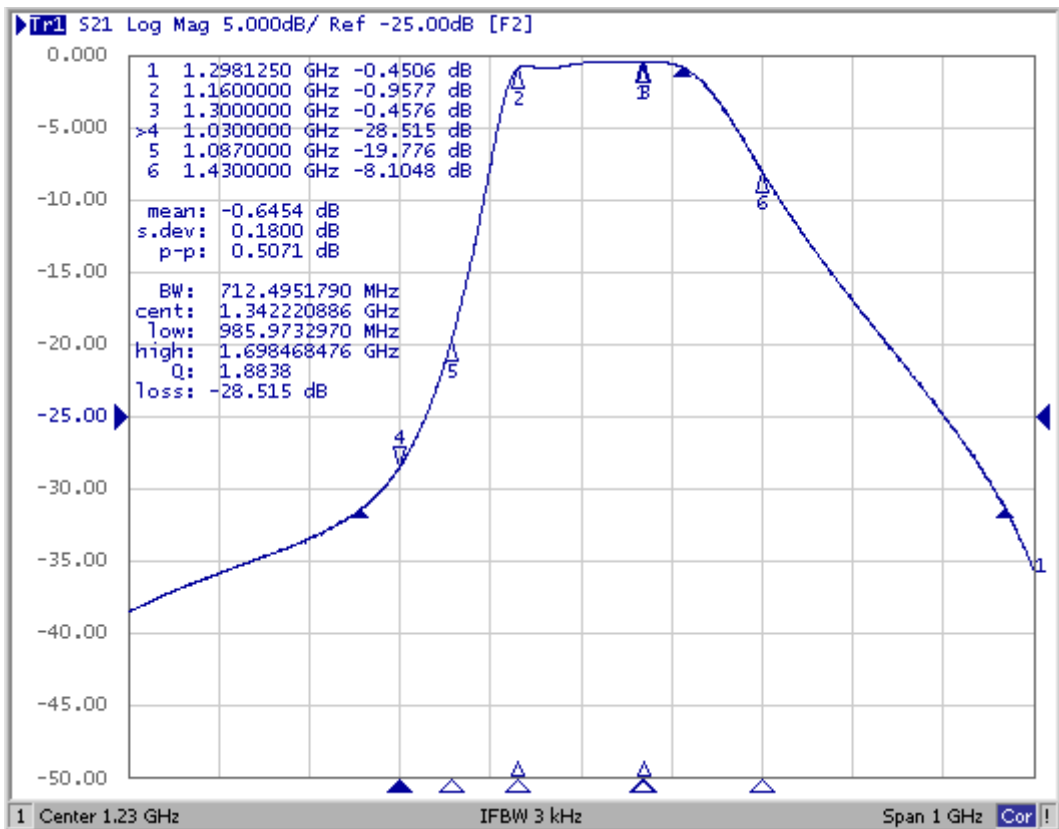
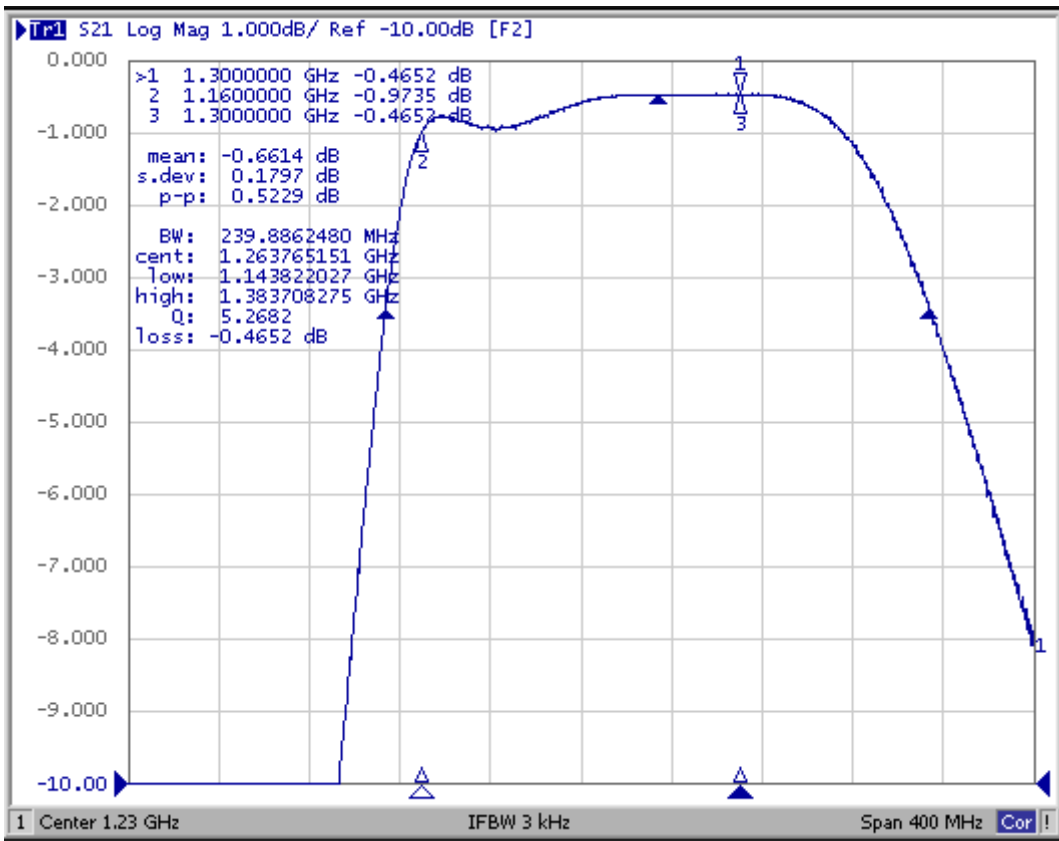
### B. ELECTRICAL CHARACTERISTICS:

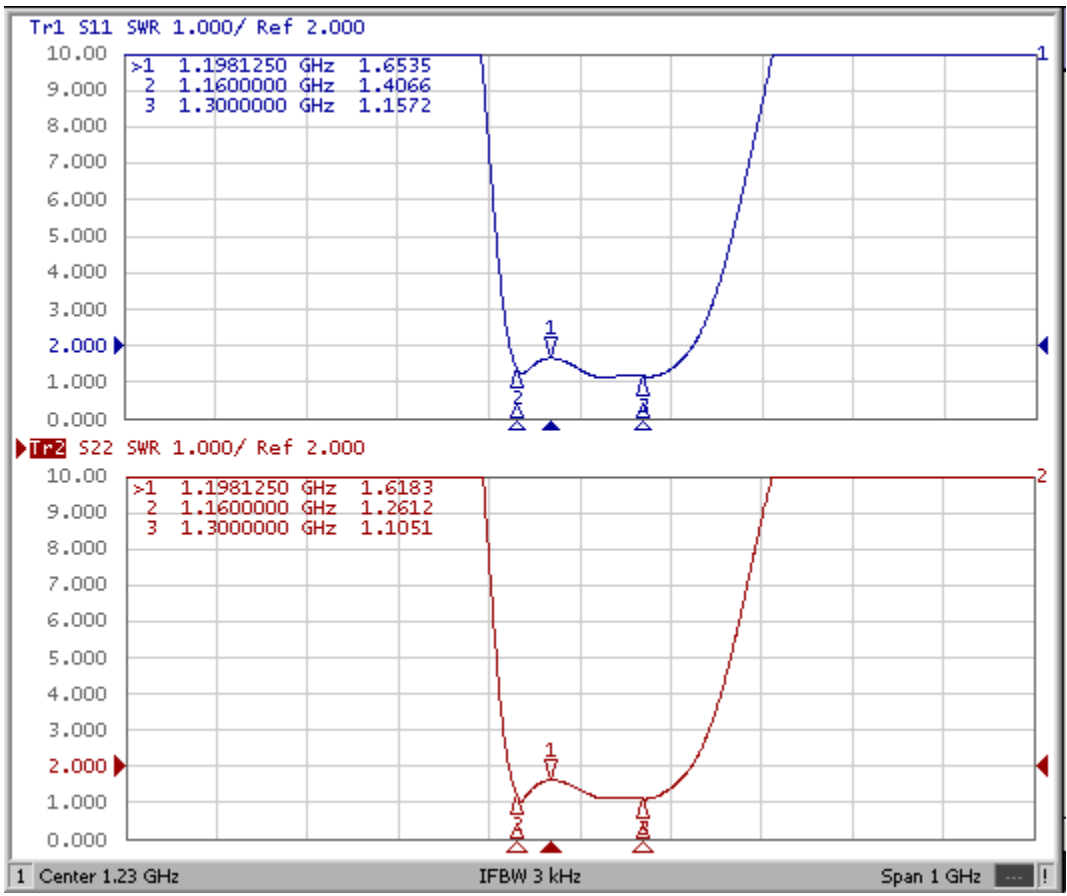
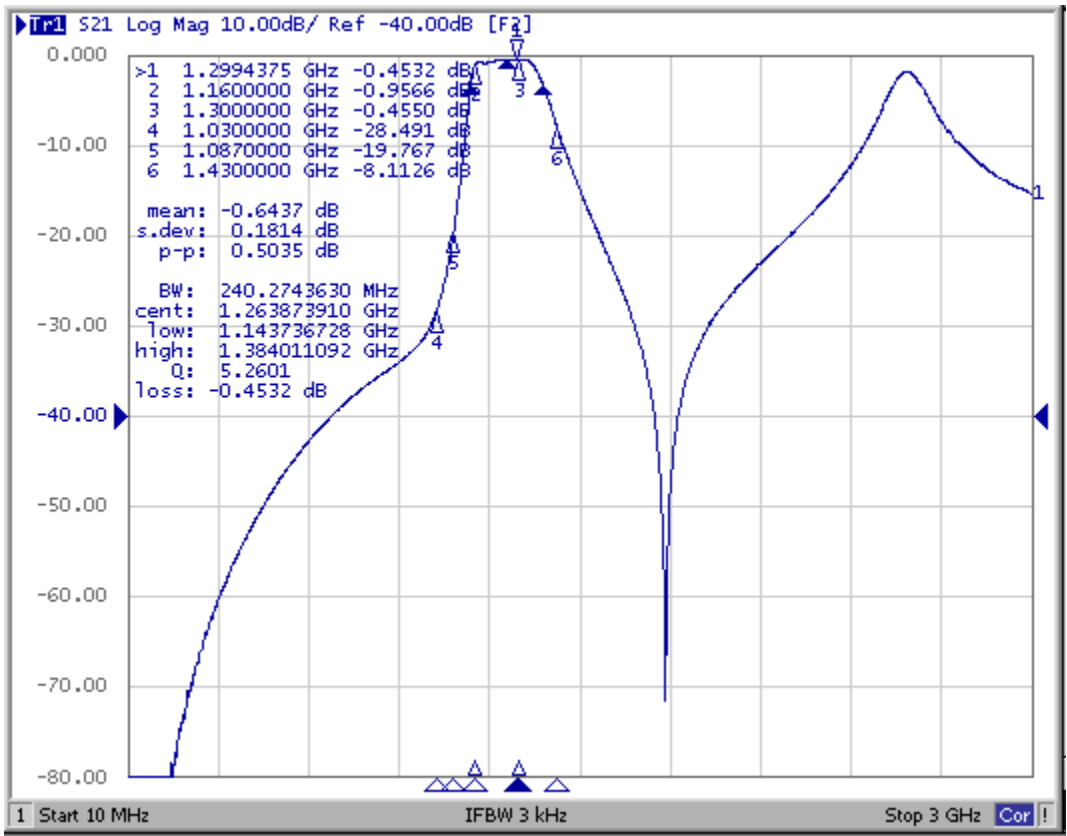
Terminating source impedance (single ended) :  $Z_s = 50 \Omega$

Terminating load impedance (single ended) :  $Z_L = 50 \Omega$

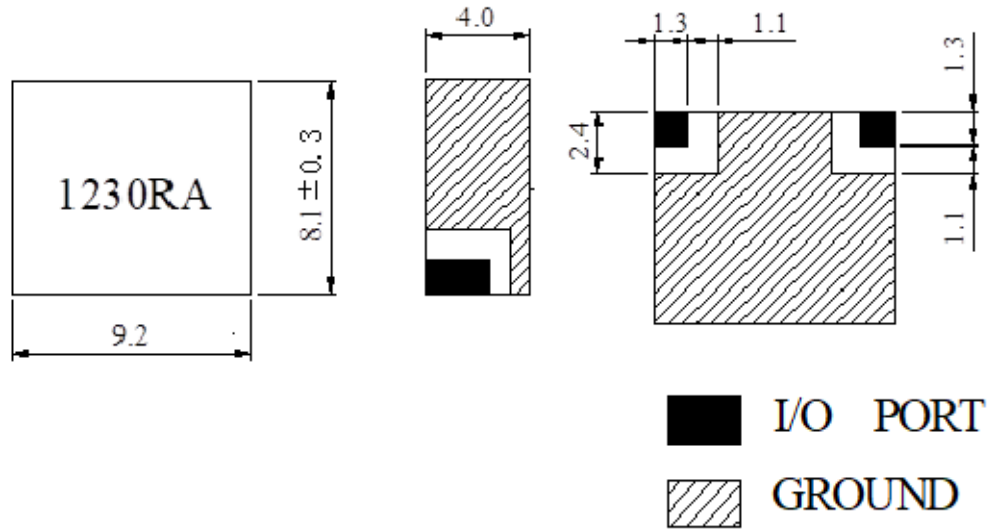
Item	Specifications
Center Frequency (Fo)	1230.0 MHz
Pass Bandwidth (BW)	1160.0 ~ 1300.0 MHz (fo±70.0MHz)
Insertion Loss in BW	2.0 dB max.
Ripple in BW	0.8 dB max.
V S W R	1.8 max.
Attenuation [Absolute Value]	25.0 dB min. @ fo : 1030.0 MHz 17.0 dB min. @ fo : 1087.0 MHz 7.0 dB min. @ fo : 1430.0 MHz
Input Power	1.0 max
In /Out Impedance	50Ω
Operation Temperature Range	-40°C ~ +85°C

### C. FREQUENCY CHARACTERISTICS:



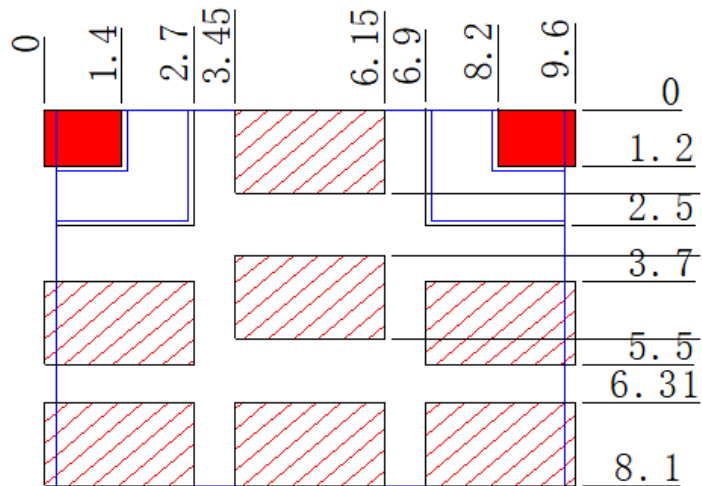


**D. OUTLINE DRAWING:  
DIMENSION**



**TOLERANCE :  $\pm 0.20$   
UNIT : mm**

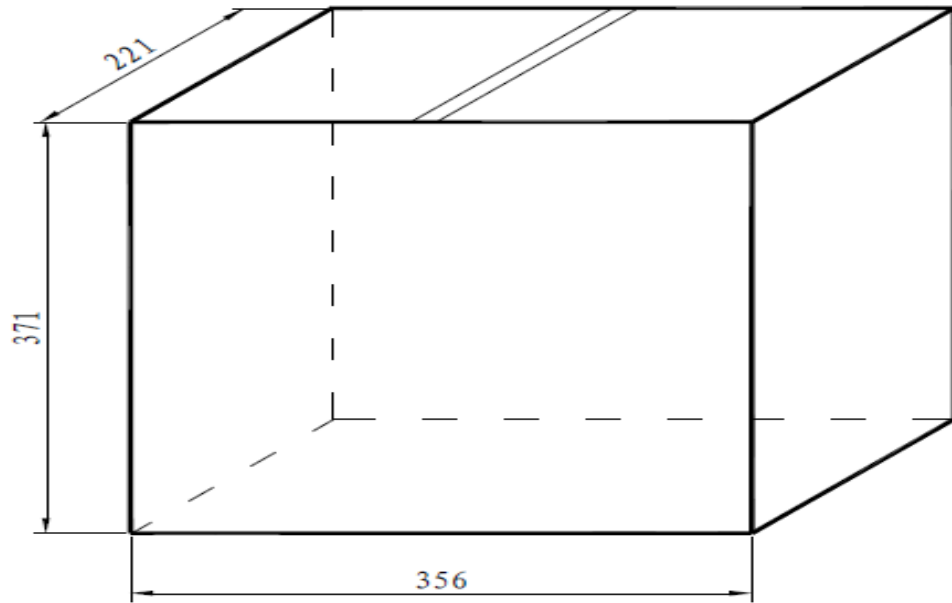
**E. PCB FOOT PRINT**



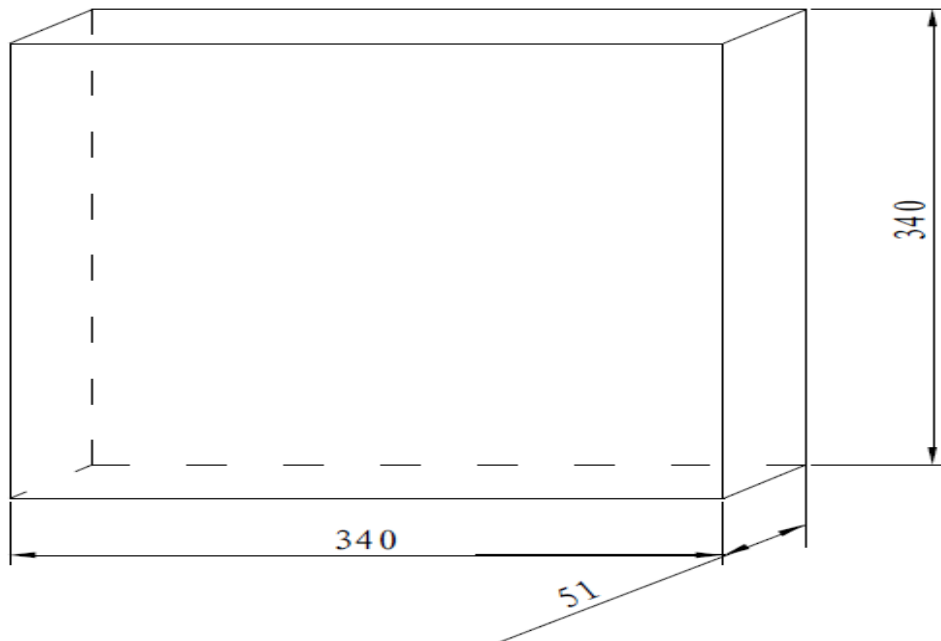
**IN-OUT PORT SOLDERING POINT**  
**GROUND SOLDERING POINT**

**F. PACKING:**

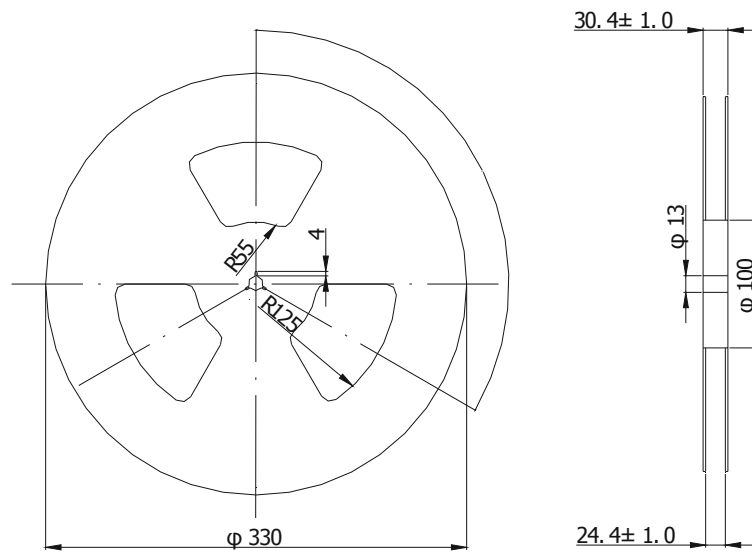
**1 Dimensions of Outer Carton (4 Inner Carton / Outer Carton)**



**2 Dimensions of Inner Carton (1Reel/ Inner Carton)**



### 3 Dimensions of Reel (500pcs/ Reel)



### 4 Dimensions of Carrier Tape

