



# TAI-SAW TECHNOLOGY CO., LTD.

No. 3, Industrial 2nd Rd., Ping-Chen Industrial District,  
Taoyuan, 324, Taiwan, R.O.C.

TEL: 886-3-4690038 FAX: 886-3-4697532

E-mail: [tstsales@mail.taisaw.com](mailto:tstsales@mail.taisaw.com) Web: [www.taisaw.com](http://www.taisaw.com)

## Approval Sheet For Product Specification

Issued Date: 09/20/2004

Product Name: SMD Clock Oscillator 13.5 MHz

TST Parts No.: TW0135A

Customer Parts No.: \_\_\_\_\_

Company: _____
Division: _____
Approved by : _____
Date: _____

Checked by: \_\_\_\_\_ Robert Chang \_\_\_\_\_

Approval by: \_\_\_\_\_ Anders Wu \_\_\_\_\_

Date: \_\_\_\_\_ 2004/09/20 \_\_\_\_\_



# TAI-SAW TECHNOLOGY CO., LTD.

No. 3, Industrial 2nd Rd., Ping-Chen Industrial District,  
Taoyuan, 324, Taiwan, R.O.C.

TEL: 886-3-4690038 FAX: 886-3-4697532

E-mail: [tstsales@mail.taisaw.com](mailto:tstsales@mail.taisaw.com) Web: [www.taisaw.com](http://www.taisaw.com)

## SMD Clock Oscillator 13.5 MHz

MODEL NO.: TW0135A

REV. NO.: 3

### A. FEATURES:

1. Ultra small package
2. Excellent for high-density packaging.

RoHS Compliant  
Lead free  
Lead-free soldering

### B. MAXIMUM RATING:

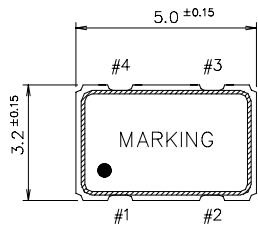
1. DC Voltage: 12 VDC.
2. Storage Temperature: -55 °C to +125 °C.
3. Operating Temperature:-10 °C to +70 °C.

### C. ELECTRICAL CHARACTERISTICS:

Characteristics	Units	Minimum	Typical	Maximum
Center Frequency	<b>MHz</b>		13.5000	
Frequency Stability (#note 1)	<b>PPM</b>	-25	-	25
Input Voltage (Operating VDD)	<b>VDC</b>	-	2.85+/-10%	-
Input Current	<b>mA</b>	-	-	12
Output				
Load	<b>pF</b>	-	15	-
"0" Level	<b>VDC</b>	-	-	0.285
"1" Level	<b>VDC</b>	2.565	-	-
Symmetry (TW/T*100%) Duty Cycle	<b>%</b>	40%	-	60%
Rise Time (10%->90% VDD)	<b>nSec</b>	-	-	10
Fall Time (90%->10% VDD)	<b>nSec</b>	-	-	10
Enable/Disable Function		PIN 1: High or Open, PIN 3:Enable PIN 1: Low, PIN 3:Disable		
Package size		SMD5.0X3.2X1.1mm		

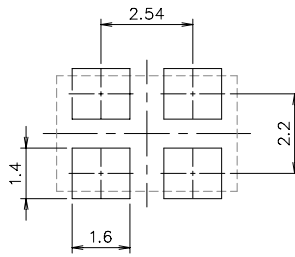
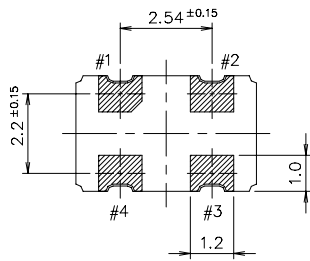
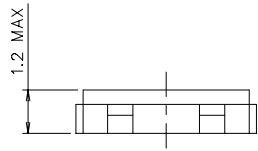
#Note 1: Frequency stability includes 25C tolerance, operating temperature range, aging and voltage or load change.

### D. OUTLINE DRAWING: (Unit: mm)



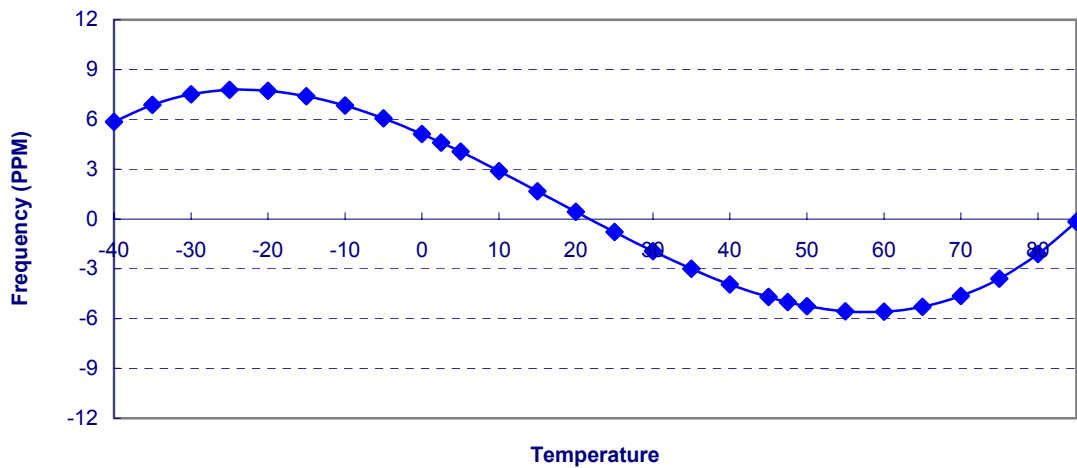
UNIT: mm

PIN#	FUNCTION
1	NO CONNECT/3-STATE
2	CIRCUIT AND COVER GROUND
3	OUTPUT
4	VDD

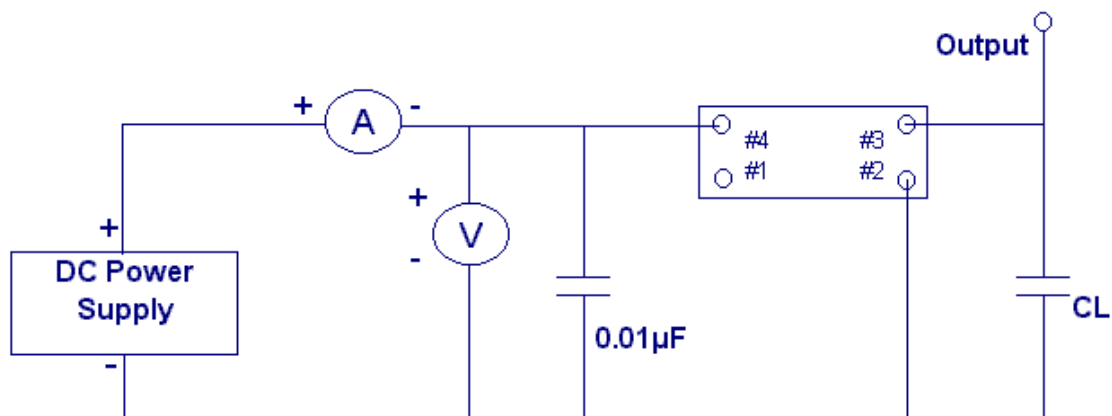


Recommended Soldering Pattern

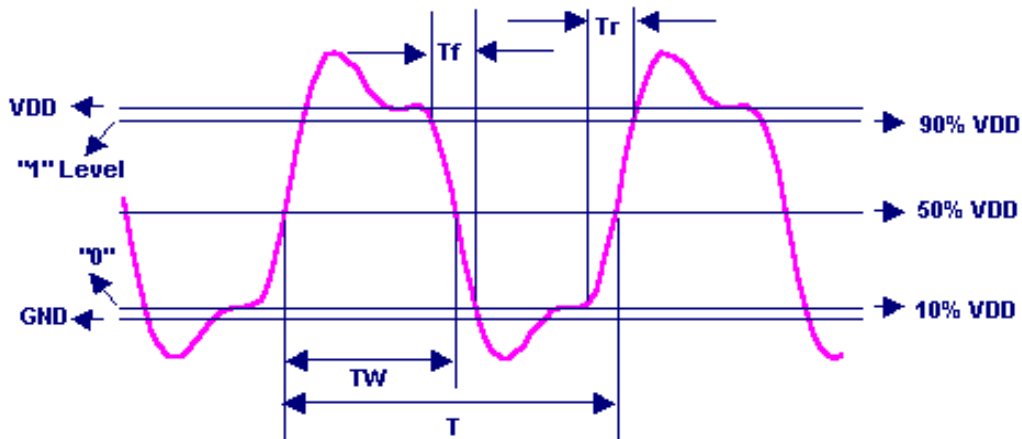
### E. FREQUENCY STABILITY OVER TEMPERATURE (TYPICAL):



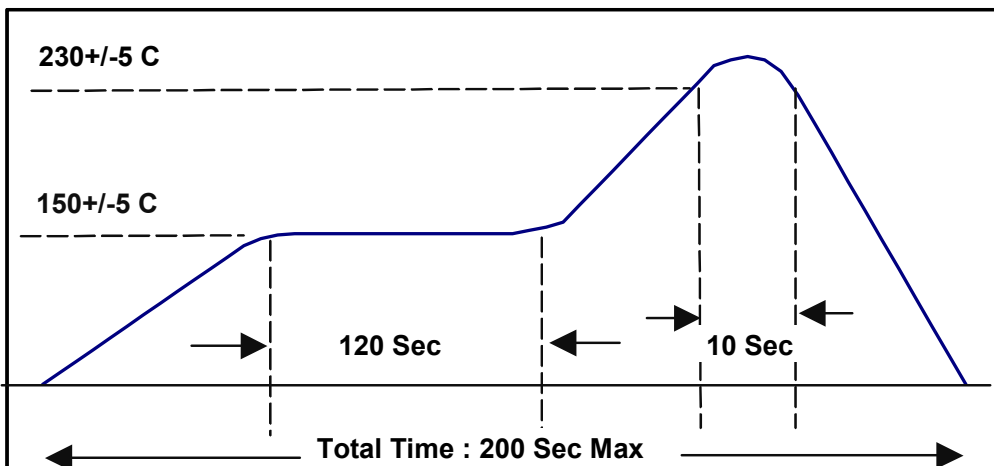
### F. TEST CIRCUIT:



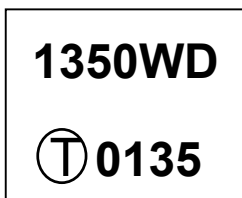
G. OUTPUT WAVEFORM (TYPICAL):



H. SOLDERING REFLOW PROFILE:



I. MARKING:



Where W stand for product code and D for date code

1. Product Code Table

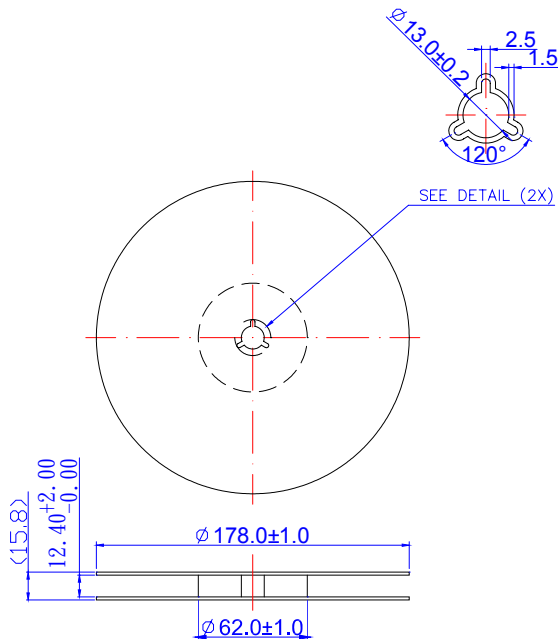
Year	2001 2005	2002 2006	2003 2007	2004 2008
Product Code	W	w	<u>W</u>	<u>w</u>

## 2. Date Code Table

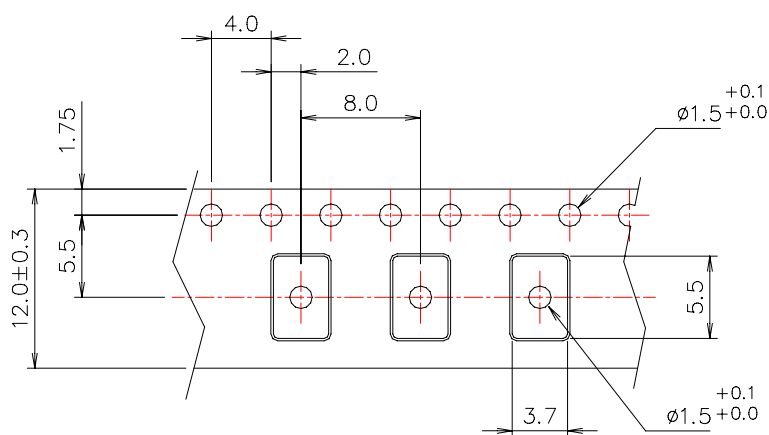
WK01	WK02	WK03	WK04	WK05	WK06	WK07	WK08	WK09	WK10	WK11	WK12	WK13
A	B	C	D	E	F	G	H	I	J	K	L	M
WK14	WK15	WK16	WK17	WK18	WK19	WK20	WK21	WK22	WK23	WK24	WK25	WK26
N	O	P	Q	R	S	T	U	V	W	X	Y	Z
WK27	WK28	WK29	WK30	WK31	WK32	WK33	WK34	WK35	WK36	WK37	WK38	WK39
a	b	c	d	e	f	g	h	i	j	k	l	m
WK40	WK41	WK42	WK43	WK44	WK45	WK46	WK47	WK48	WK49	WK50	WK51	WK52
n	o	p	q	r	s	t	u	v	w	x	y	z

## J. PACKING: Packing Quantity: 1k /Reel

### 1.REEL DIMENSION (Unit: mm)



### 2.TAPE DIMENSION (Unit: mm)



### 3.PACKING DIRECTION

The dot or the logo of marking should be close to the hole of tape.