



# TAI-SAW TECHNOLOGY CO., LTD.

No. 3, Industrial 2nd Rd., Ping-Chen Industrial District,  
Taoyuan, 324, Taiwan, R.O.C.

TEL: 886-3-4690038 FAX: 886-3-4697532

E-mail: [ttsales@mail.taisaw.com](mailto:ttsales@mail.taisaw.com) Web: [www.taisaw.com](http://www.taisaw.com)

## Product Specifications Approval Sheet

Product Name: Crystal Filter SMD 7x7 73.35MHz

TST Part No.: TY0128A

Customer Part No.: \_\_\_\_\_

Company: _____
Division: _____
Approved by: _____
Date: _____

Checked by: CC Hsu *C.C.H.*

Approved by: Robert Chang *Robert Chang*

Date: 12/10/2009

1. Customer signed back is required before TST can proceed with sample build and receive orders.
2. Orders received without customer signed back will be regarded as agreement on the specifications.
3. Any specifications changes must be approved upon by both parties and a new revision of specifications shall be released to reflect the changes.



**TAI-SAW TECHNOLOGY CO., LTD.**  
Crystal Filter SMD 7x7 73.35MHz

MODEL NO.: TY0128A

REV. NO.: 1

**Revise:**

Rev.	Rev. Page	Rev. Account	Date	Ref. No.	Revised by
1	N/A	Initial release	12/10/09'	N/A	C.C. Hsu



# TAI-SAW TECHNOLOGY CO., LTD.

No. 3, Industrial 2nd Rd., Ping-Chen Industrial District,  
Taoyuan, 324, Taiwan, R.O.C.

TEL: 886-3-4673.35038 FAX: 886-3-4697532

E-mail: [tstsales@mail.taisaw.com](mailto:tstsales@mail.taisaw.com) Web: [www.taisaw.com](http://www.taisaw.com)

## Crystal Filter SMD 7x7 73.35MHz

MODEL NO.: TY0128A

REV. NO.: 1

### Features:

- Surface Mount Seam Weld Package
- 2-pole Filter
- Excellent Reliability Performance

RoHS Compliant  
Lead free  
Lead-free soldering

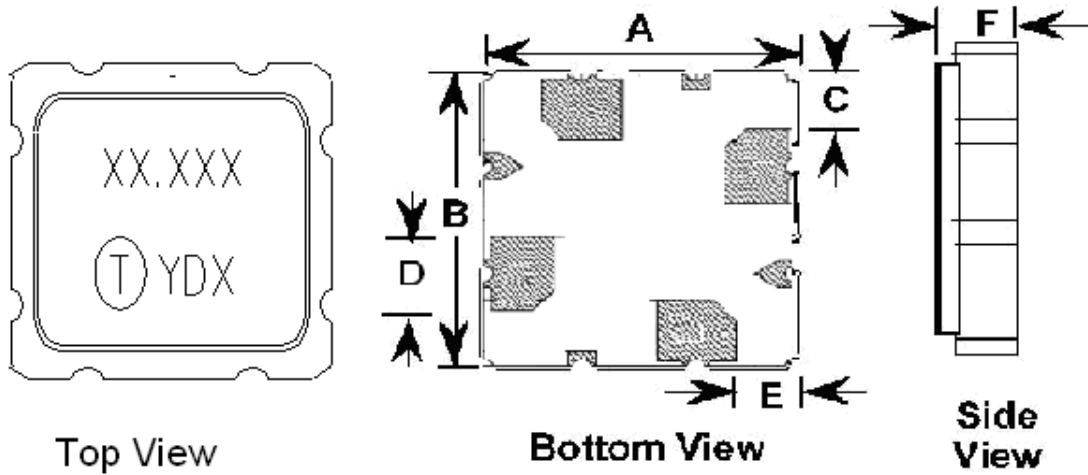
### Description and Applications:

Surface mount 7.0mmx7.0mm crystal filter for use in wireless telecommunication devices.

### Electrical Specifications:

TY0128A	Specification
Center Frequency Fo	73.350 MHz, 3 <sup>rd</sup> Overtone
Insertion Loss	2.0 dB Max
Ripple	1.0 dB Max
Group delay	15 usec Max
3 dB Passband	+/-6.5KHz
Stopband (@+/-12.5 KHz)	7 dB Min
Stopband (@+/-25 KHz)	16 dB Min
Stopband (@+/-900 KHz)	40 dB Min
Spurious (from 75kHz to 223kHz)	8 dB Min
Spurious (from 223kHz to 227kHz)	15 dB Min
Spurious (from 227kHz to 235kHz)	10 dB Min
Spurious (from 235kHz to 1000kHz)	20 dB Min
Spurious (from-75kHz to -1000kHz)	20 dB Min
Terminating Impedance	950Ω// -1.2pF
Temperature drift (-30~85 °C)	+/-15ppm
Intermodulation (two -20 dBm signals) for fo + 12.5 kHz and fo + 25 kHz	Pin1>80dB Pin3>75dB

## Mechanical Dimensions (mm):

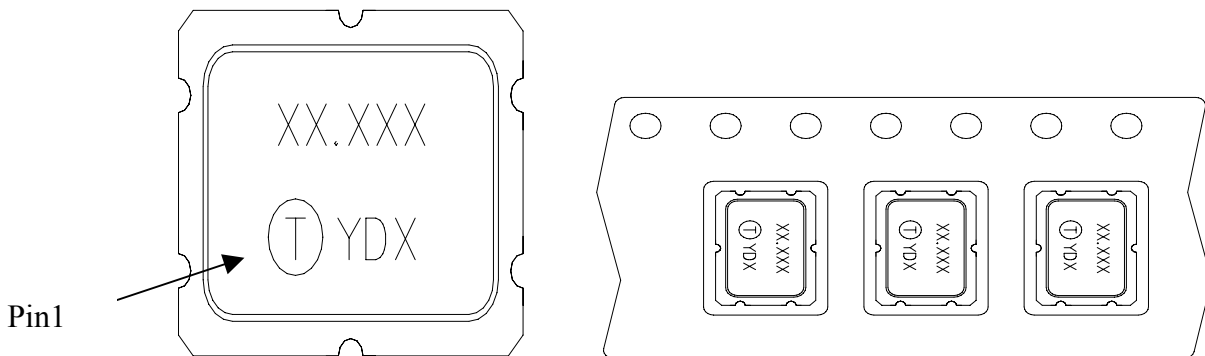


A	B	C	D	E	F
Min/Max	Min/Max	Typ.	Typ.	Typ.	Min/Max
7.09/7.39	7.09/7.39	1.39	1.80	1.39	1.24/1.60

## Marking:

Line 1: 73.350 (Customer Frequency)

Line 2: TST Logo + Crystal Filter Product Code + Date Code + A



## Product Code Table

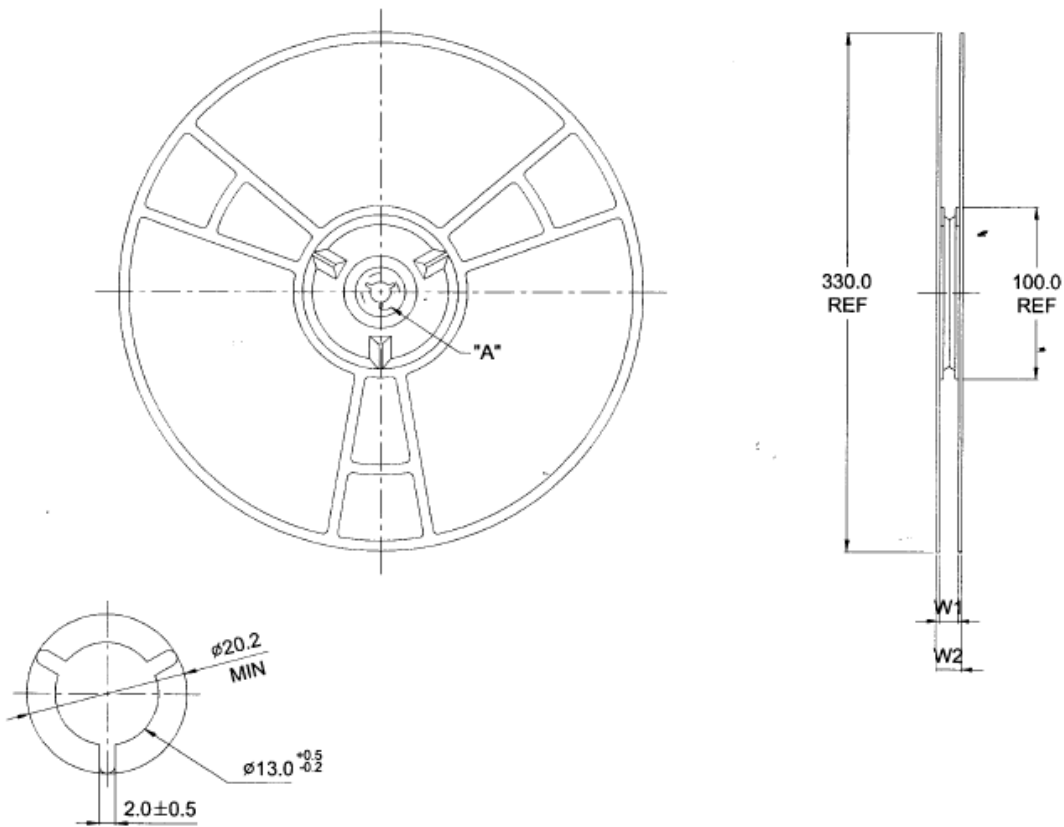
Year	2009	2010	2011	2012
	2013	2014	2015	2016
Product Code	Y	<u>Y</u>	y	<u>y</u>

## Date Code Table

WK01	WK02	WK03	WK04	WK05	WK06	WK07	WK08	WK09	WK10	WK11	WK12	WK13
A	B	C	D	E	F	G	H	I	J	K	L	M
WK14	WK15	WK16	WK17	WK18	WK19	WK20	WK21	WK22	WK23	WK24	WK25	WK26
N	O	P	Q	R	S	T	U	V	W	X	Y	Z
WK27	WK28	WK29	WK30	WK31	WK32	WK33	WK34	WK35	WK36	WK37	WK38	WK39
a	b	c	d	e	f	g	h	i	j	k	l	m
WK40	WK41	WK42	WK43	WK44	WK45	WK46	WK47	WK48	WK49	WK50	WK51	WK52
n	o	p	q	TAI <sup>2</sup> SAW TECHNOLOGY CO., LTD.				w	TST DCC		z	

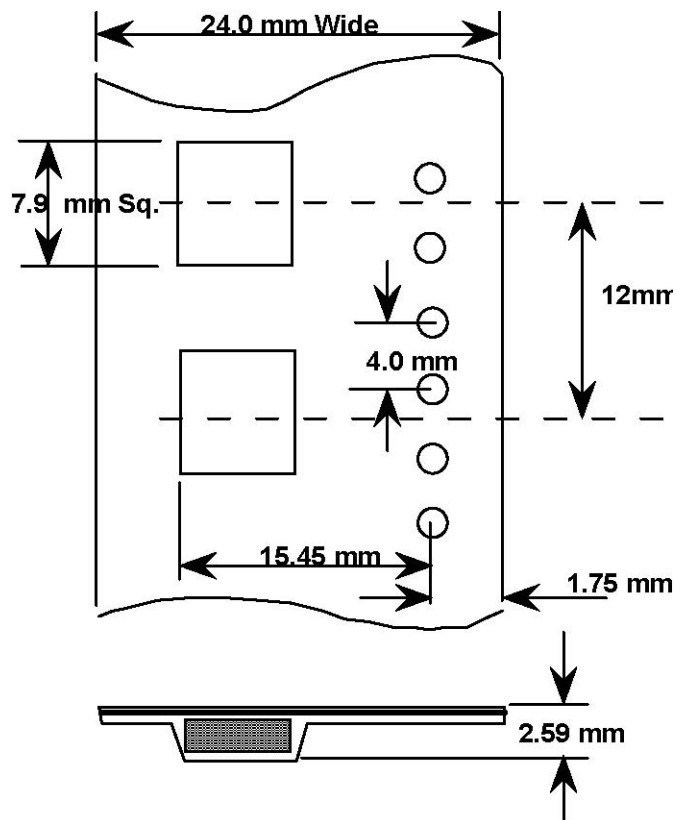
Release document

## Reel Dimensions (mm):



Normal hub width	W1	W2
24mm	24.8mm Typ.	30.2mm Max

## Tape Dimensions (mm):



# Reflow Profile:

