



TAI-SAW TECHNOLOGY CO., LTD.

No. 3, Industrial 2nd Rd., Ping-Chen Industrial District,
Taoyuan, 324, Taiwan, R.O.C.

TEL: 886-3-4690038 FAX: 886-3-4697532

E-mail: tstsales@mail.taisaw.com Web: www.taisaw.com

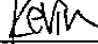
Product Specifications Approval Sheet


Product Description: SAW Filter 2100 MHz SMD 3.0X3.0 mm (BW=60MHz)

TST Part No.: TA1325A

Customer Part No.: _____

Customer signature required
Company: _____
Division: _____
Approved by : _____
Date: _____

Checked by: _____ Kevin 

Approved by: _____ Francis Chen 

Date: _____ 3/3/2011

1. Customer signed back is required before TST can proceed with sample build and receive orders.
2. Orders received without customer signed back will be regarded as agreement on the specifications
3. Any specifications changes must be approved upon by both parties and a new revision of specifications shall be released to reflect the changes.



TAI-SAW TECHNOLOGY CO., LTD.

No. 3, Industrial 2nd Rd., Ping-Chen Industrial District,
Taoyuan, 324, Taiwan, R.O.C.

TEL: 886-3-4690038 FAX: 886-3-4697532

E-mail: tstsales@mail.taisaw.com Web: www.taisaw.com

SAW Filter 2100MHz

MODEL NO.:TA1325A

REV. NO.:1

A. MAXIMUM RATING:

1. Input Power Level: 7 dBm
2. DC Voltage : 3V
3. Operating Temperature: -30°C to +85°C
4. Storage Temperature: -40°C to +85°C

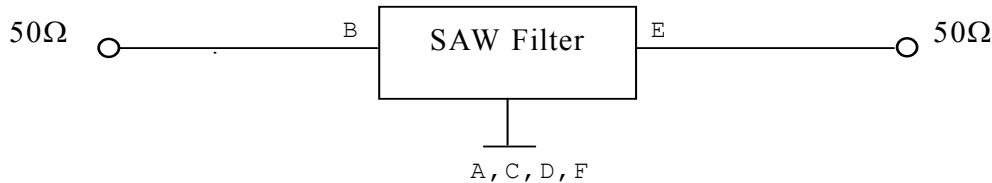
RoHS Compliant
Lead free
Lead-free soldering

B. ELECTRICAL CHARACTERISTICS:

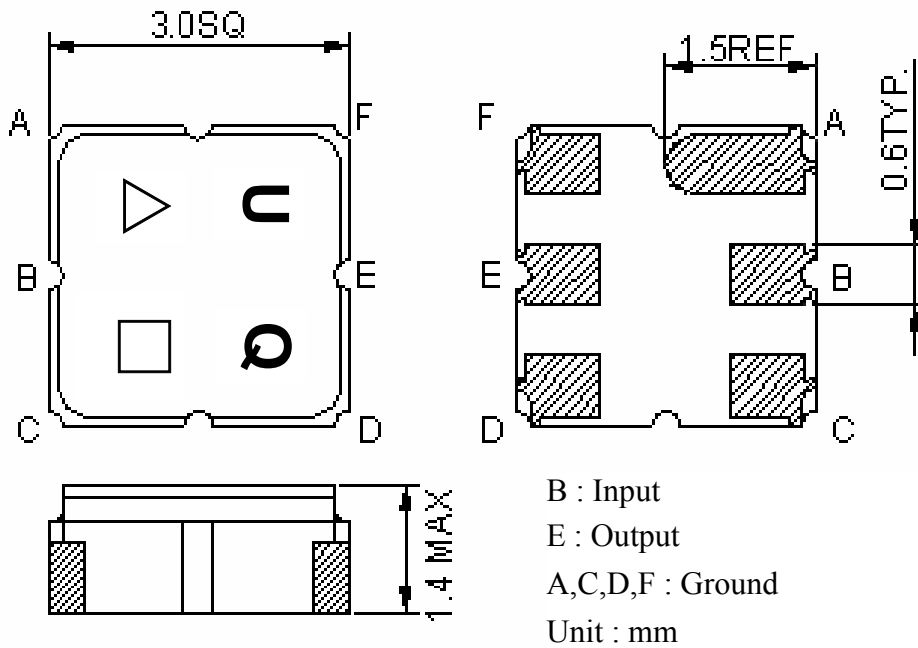
Item	Unit	Min.	Typ.	Max.
Center frequency, Fc	MHz	-	2100	-
Insertion loss, IL (2070~2130MHz)	dB	-	1.9	4.0
Amplitude ripple (2070~2130MHz)	dB	-	1.3	2.0
Attenuation (reference from 0dB)				
0.3 ~ 500 MHz	dB	21	34	-
500 ~ 1920 MHz	dB	20	30	-
1920 ~ 2010 MHz	dB	35	38	-
Source impedance Z_s	Ω	-	50	-
Load impedance Z_L	Ω	-	50	-

C. MEASUREMENT CIRCUIT:

HP Network analyzer

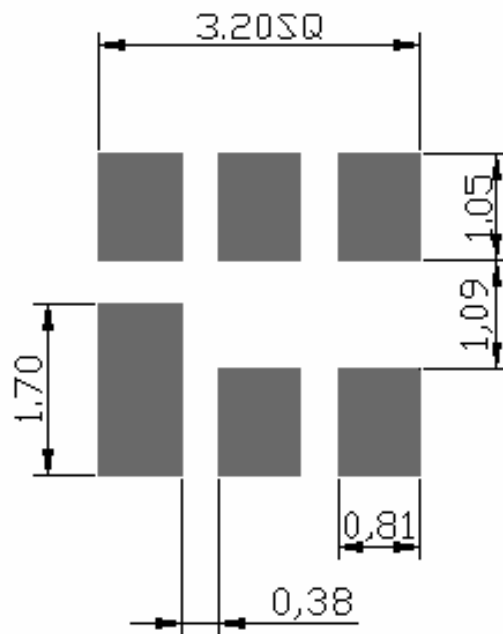


D.OUTLINE DRAWING:



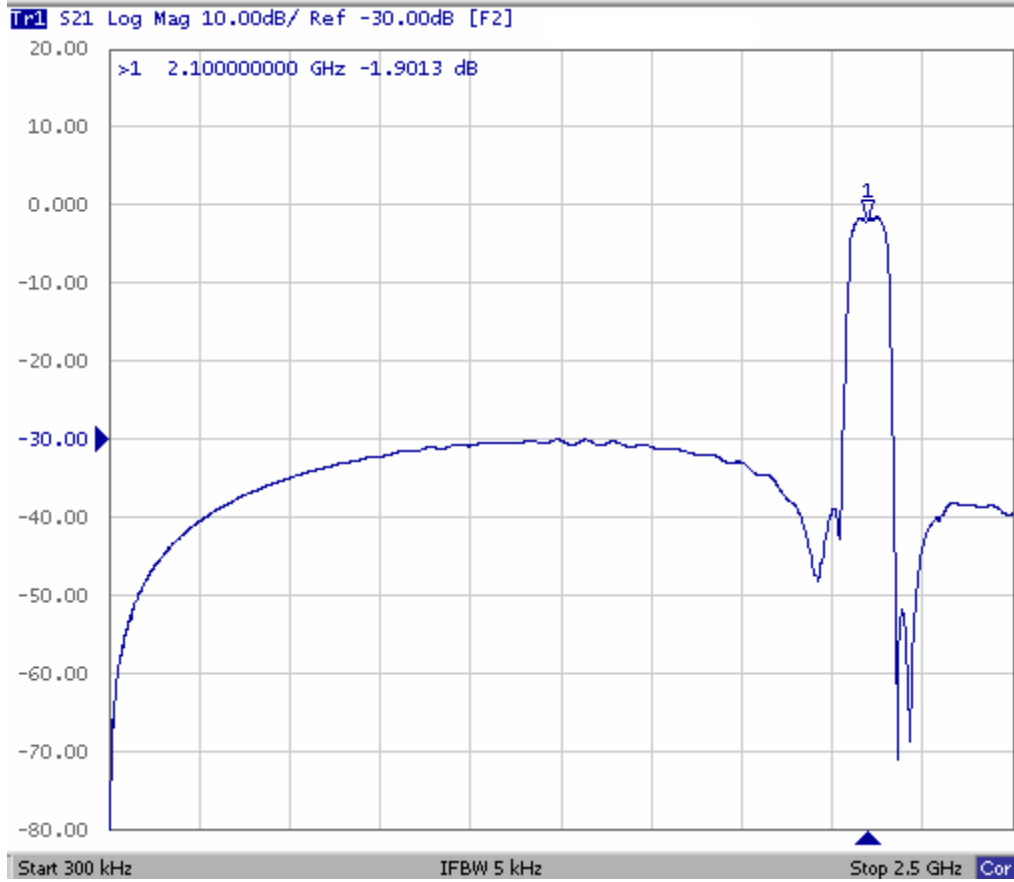
- △ : Year Code (2011->1, 2012->2 ..., 2019->9)
- : Date Code (W01->A,W02->B,...W27->a,...,W52->z)

E. PCB Footprint:

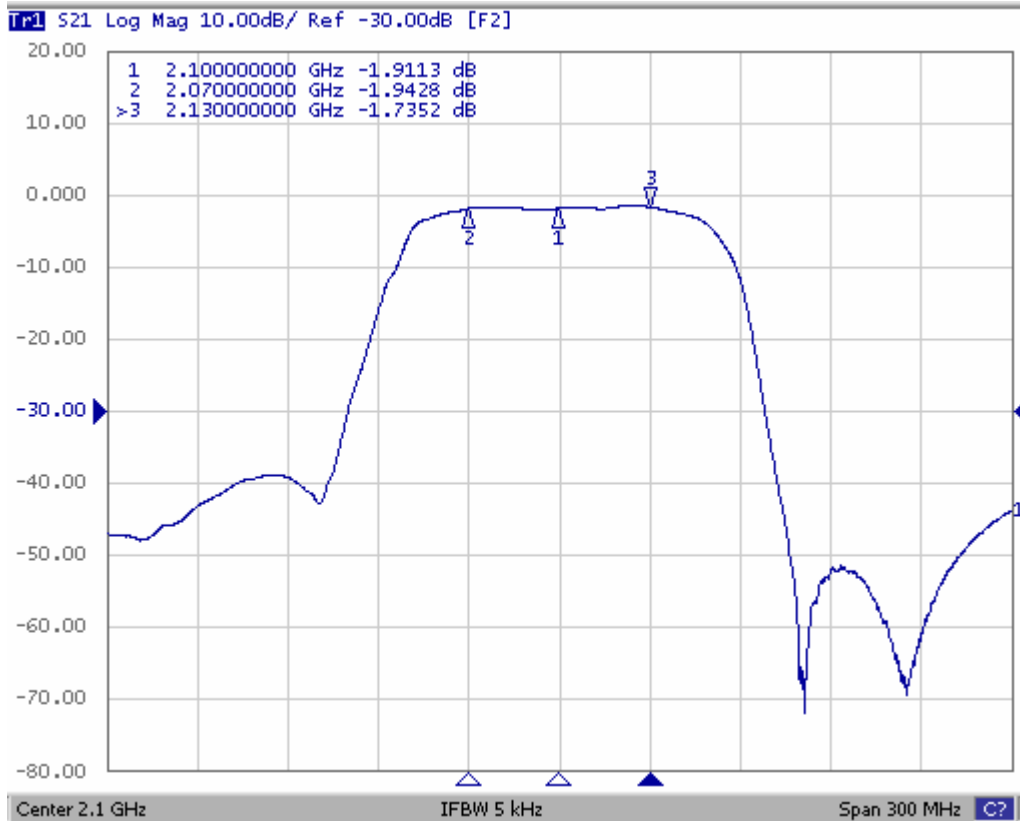


F. Frequency Characteristics :

(1) Wideband response: (0.3~2500MHz)



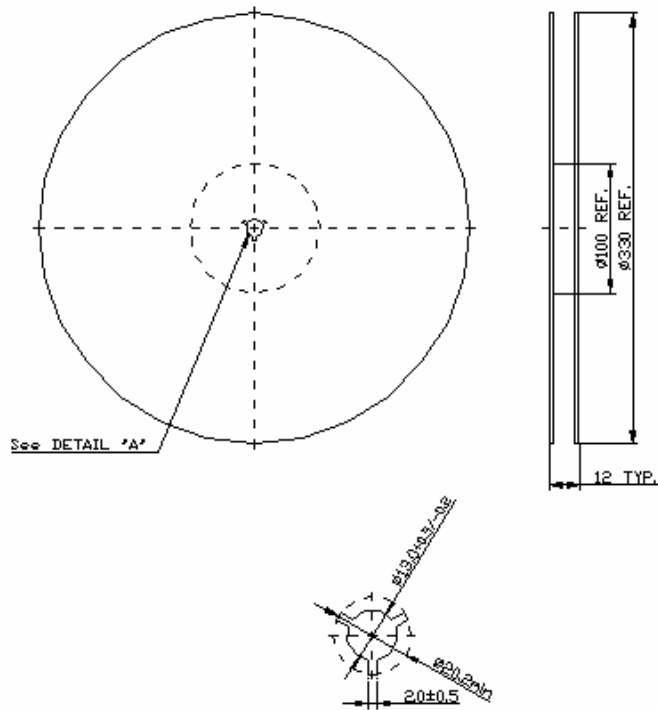
(2) Narrowband response: (span 300MHz)



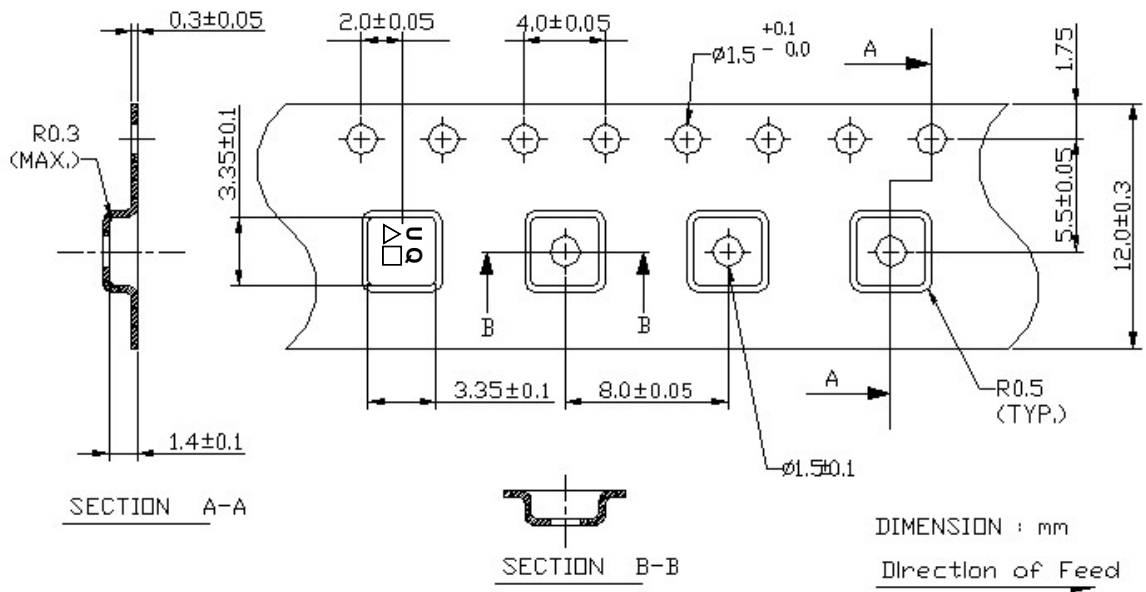
G. PACKING:

1. REEL DIMENSION

(Reel Count : 7"=1000 ; 13"=3000)



2. TAPE DIMENSION



H. RECOMMENDED REFLOW PROFILE :

