



TAI-SAW TECHNOLOGY CO., LTD.

No. 3, Industrial 2nd Rd., Ping-Chen Industrial District,
Taoyuan, 324, Taiwan, R.O.C.

TEL: 886-3-4690038 FAX: 886-3-4697532

E-mail: tstsales@mail.taisaw.com Web: www.taisaw.com

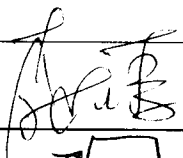
Product Specifications Approval Sheet


Product Name: 243.95 MHz 0.26MHz BW SMD 3.0 x 3.0 mm SAW IF Filter

TST Parts No.: TB0252A

Customer Parts No.: _____

Customer signature required
Company: _____
Division: _____
Approved by : _____
Date: _____

Checked by: _____ Kazuma Lee 

Approval by: _____ Francis Chen 

Date: _____ 03 / 20 / 2012

1. Customer signed back is required before TST can proceed with sample build and receive orders.
2. Orders received without customer signed back will be regarded as agreement on the specifications.
3. Any specifications changes must be approved upon by both parties and a new revision of specifications shall be released to reflect the changes.



TAI-SAW TECHNOLOGY CO., LTD.

No.3, Industrial 2nd Rd., Ping-Chen Industrial District, Taoyuan, Taiwan, R.O.C.

TEL: 886-3-4690038 FAX: 886-3-4697532

E-mail: tstsales3@mail.taisaw.com Web: www.taisaw.com

SAW Filter 243.95 MHz 0.26MHz BW

Model No.: TB0252A

Rev. No: 5

1. Maximum Rating:

1. Input Power Level: +5dB_m
2. Operating Temperature: -20°C to +85°C
3. Storage Temperature: -30°C to +85°C

RoHS Compliant
Lead free
Lead-free soldering

Electrostatic Sensitive Device

2. Electrical Characteristics:

Parameters	Unit	Min.	Typical	Max.
Nominal Center frequency, Fo	MHz	-	243.95	-
Insertion Loss at Fo	dB	-	3.0	4.0
3 dB Bandwidth	KHz	-	260	-
Amplitude ripple, Fo ± 100 KHz	dB		0.45	1.2
Group delay ripple, Fo ± 100 KHz	μsec	-	0.45	1.2
Attenuation:				
Fo ± 600 KHz	dB	25	30	-
Fo ± 10.7 MHz	dB	40	60	-
Fo ± 21.4 MHz	dB	60	65	-

3. Measurement Circuit:

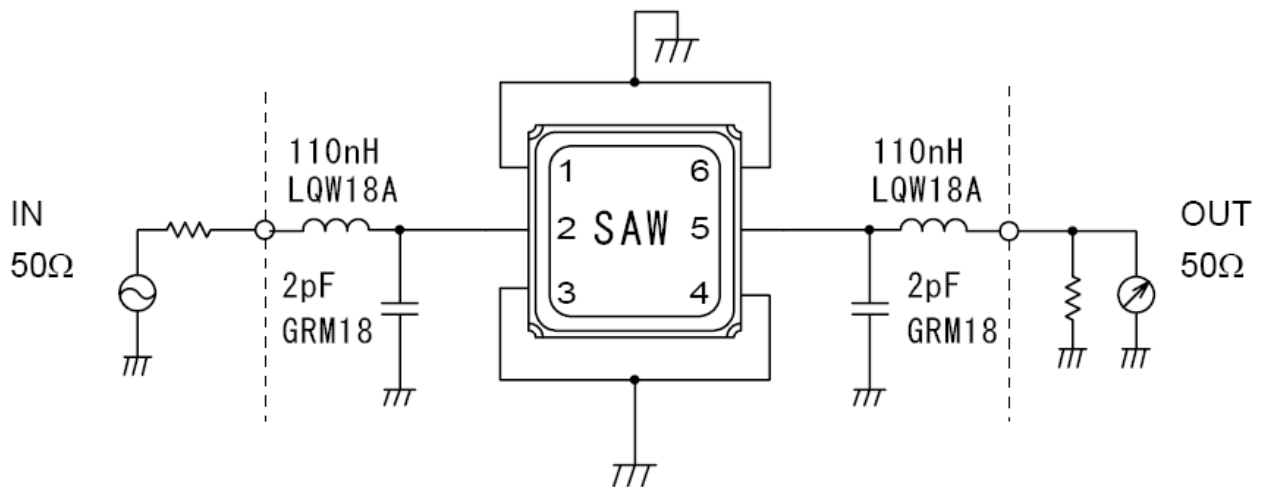
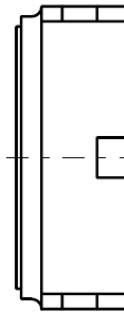
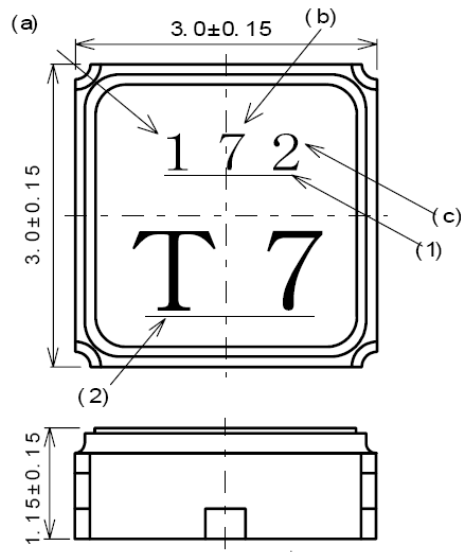


Fig.1 Measuring circuit

4. Outline Drawing:



Marking

(1) Lot Number

(a) Year

(b) Month

*Oct--- X

Nov--- Y

Dec--- Z

(c) Date

1-9--- 0

10-19--- 1

20-31--- 2

(2) Part Number Mark

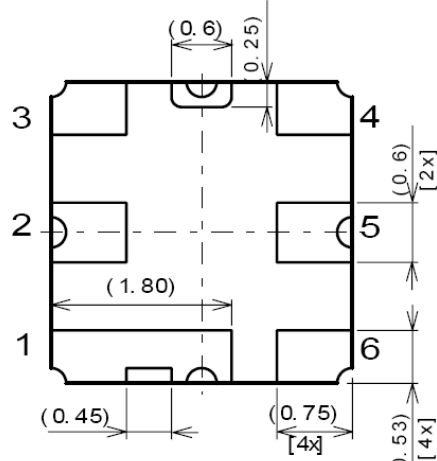


Fig.2 Package dimensions (in mm)

Pin no.	Connection
1	GND
2	IN/OUT
3	GND
4	GND
5	OUT/IN
6	GND

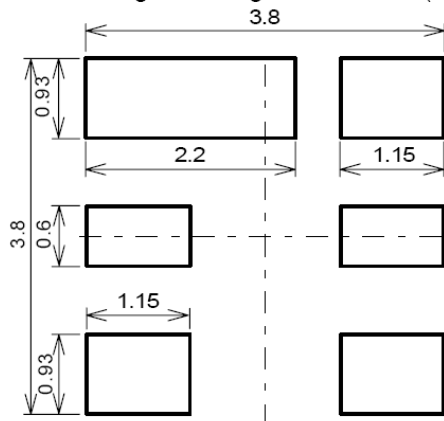


Fig.3 Desirable land area (in mm)

5. Frequency Characteristics:

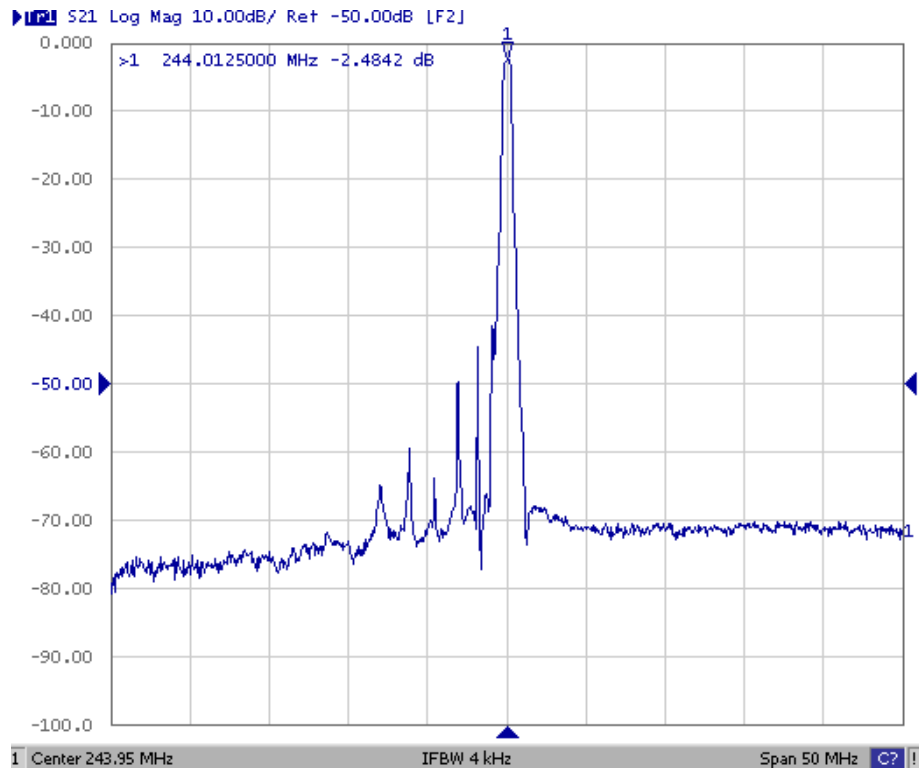


Fig1. Horizontal: 5MHz/Div Vertical: 10dB/Div

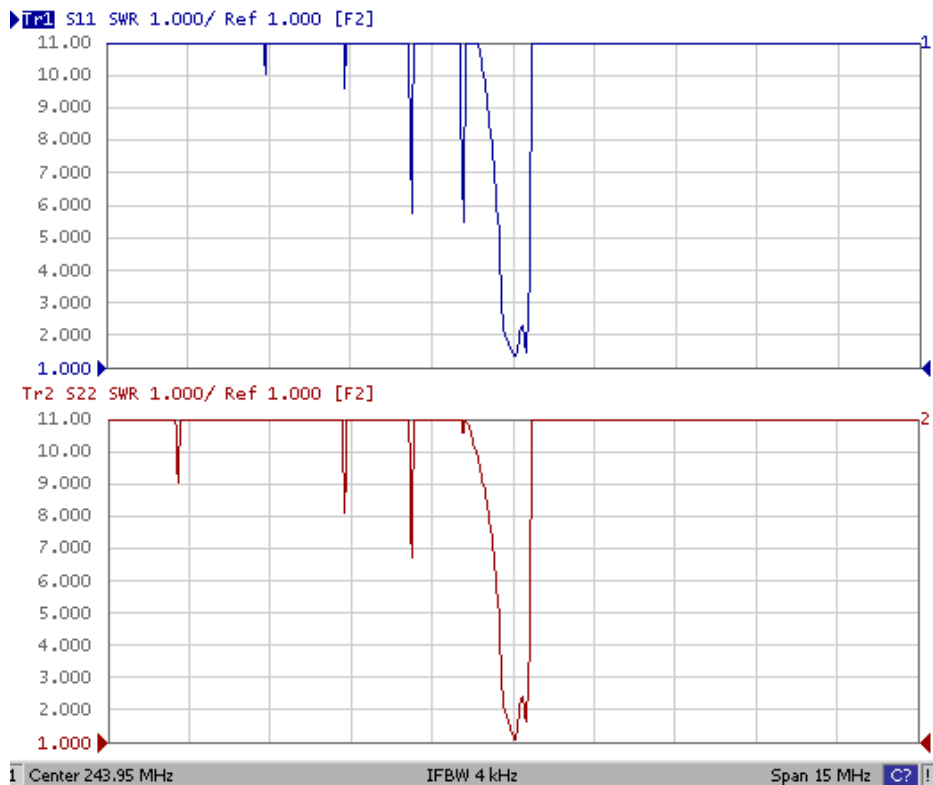


Fig2. Horizontal: 1.5MHz/Div Vertical: 1/Div

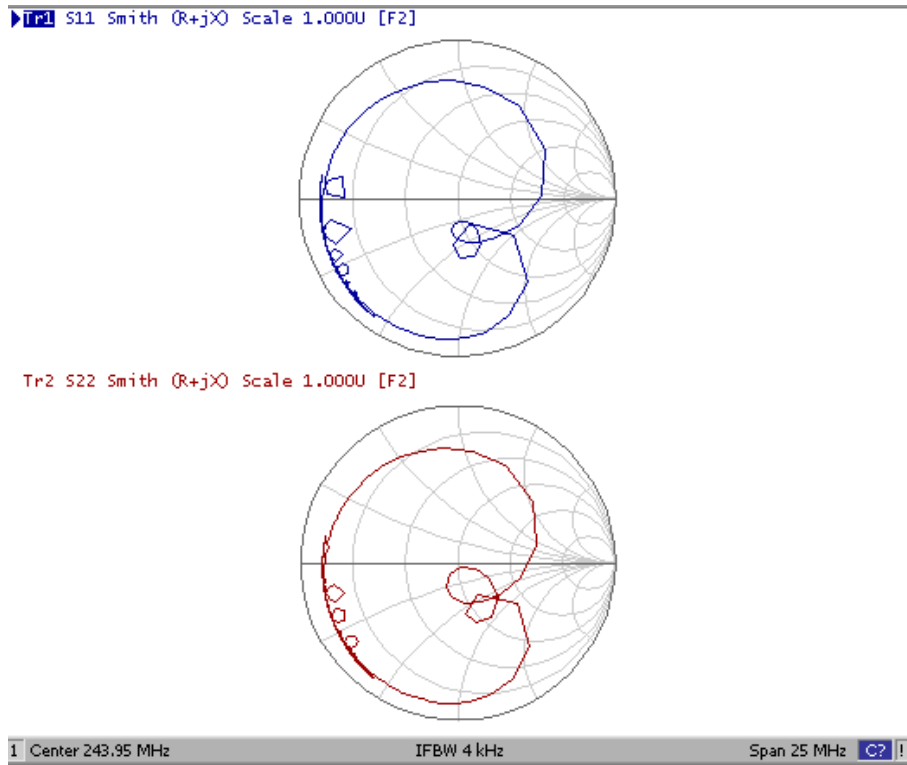


Fig4. Smith Chart (231.45MHz~256.45MHz)

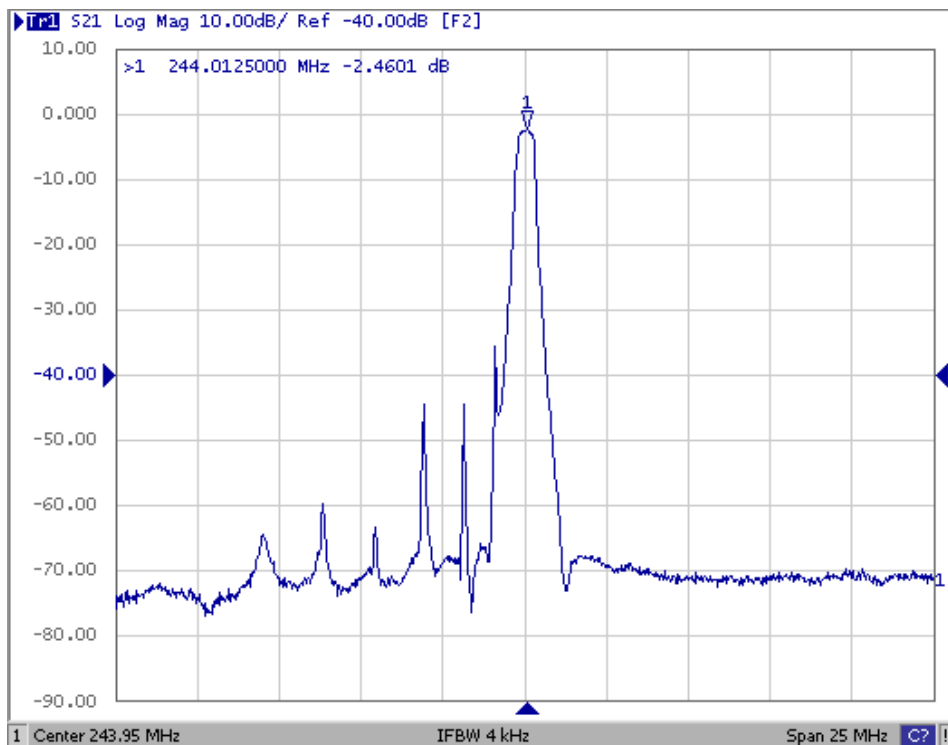


Fig5. Horizontal: 2.5MHz/Div Vertical: 10dB/Div

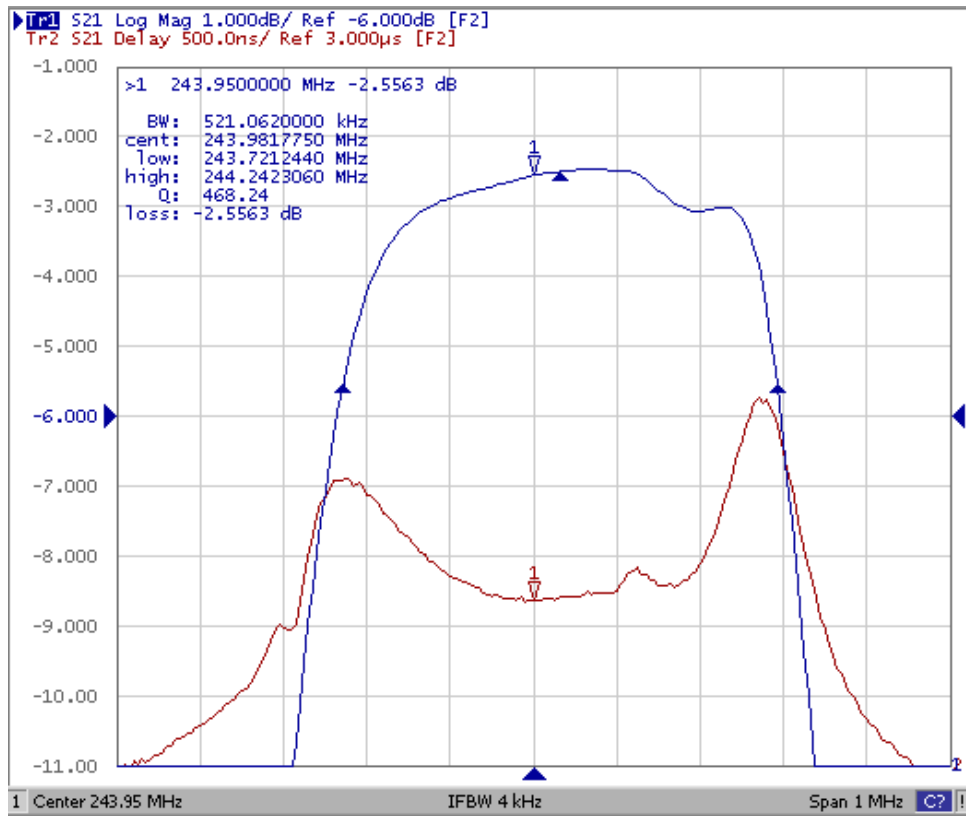
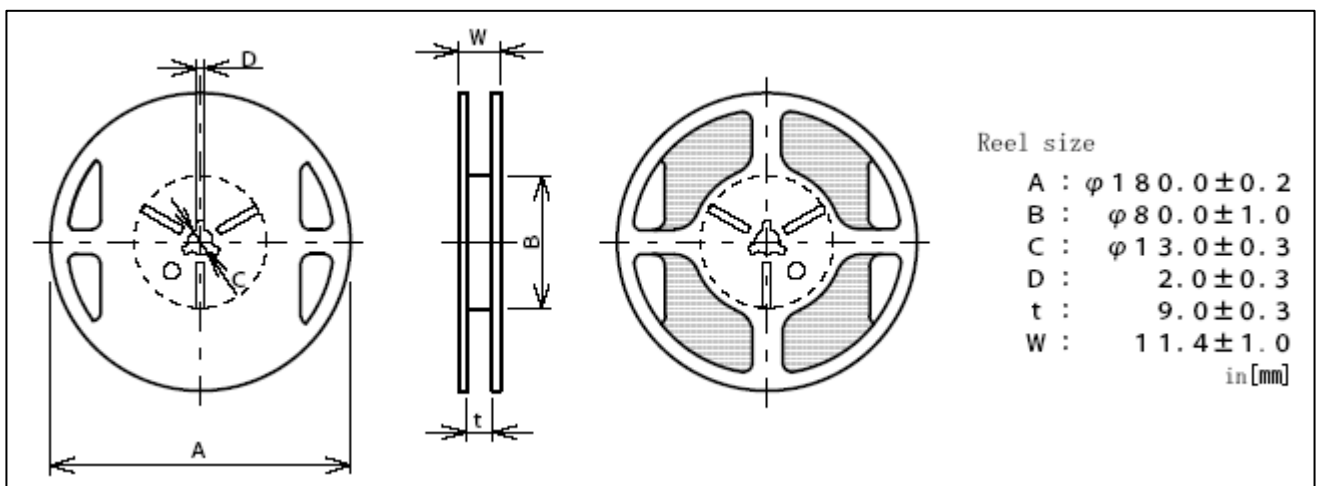


Fig6. Horizontal: 0.1MHz/Div Vertical: 1/dB/Div
Vertical: 500ns/Div

6. Packing:

6.1. REEL DIMENSION



6.2. TAPE DIMENSION

